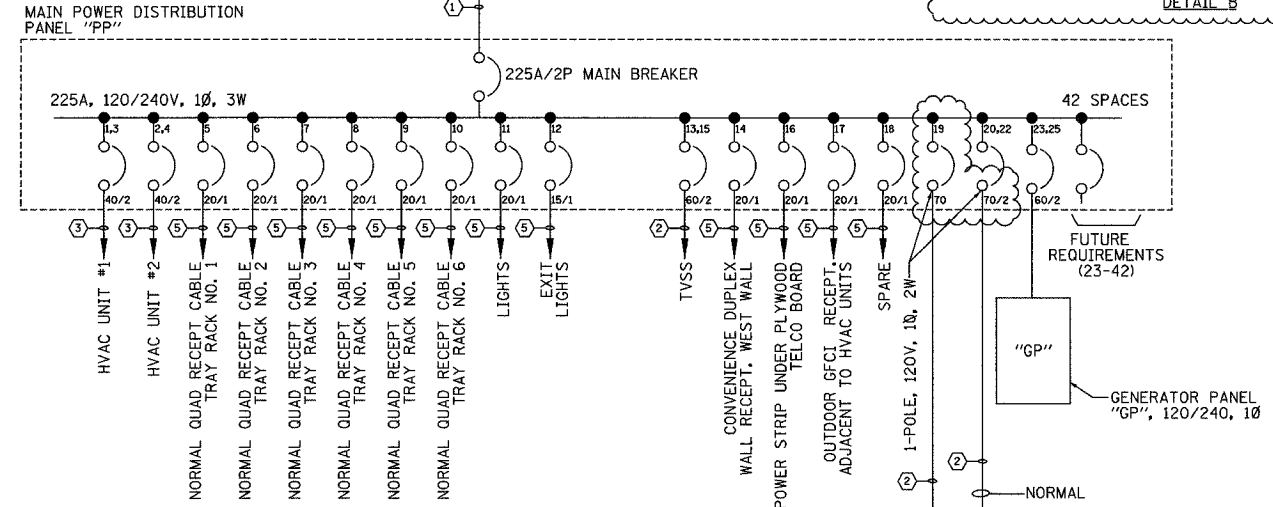
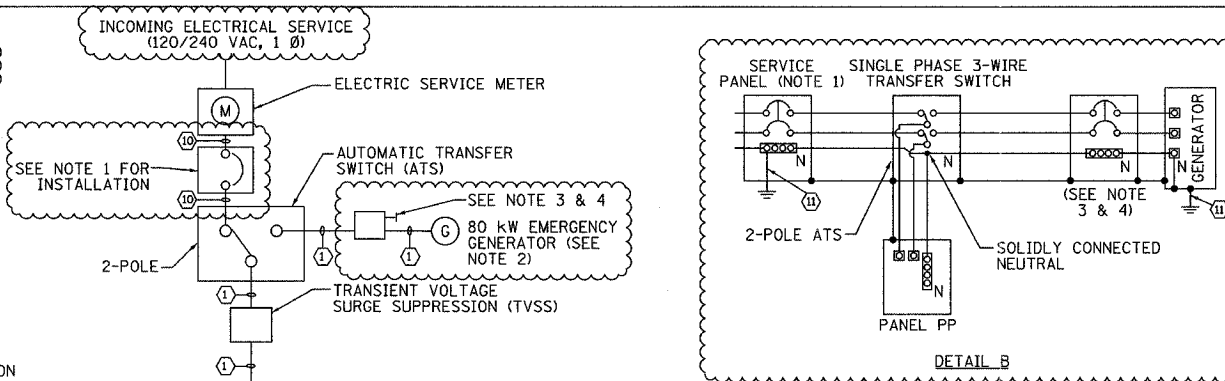
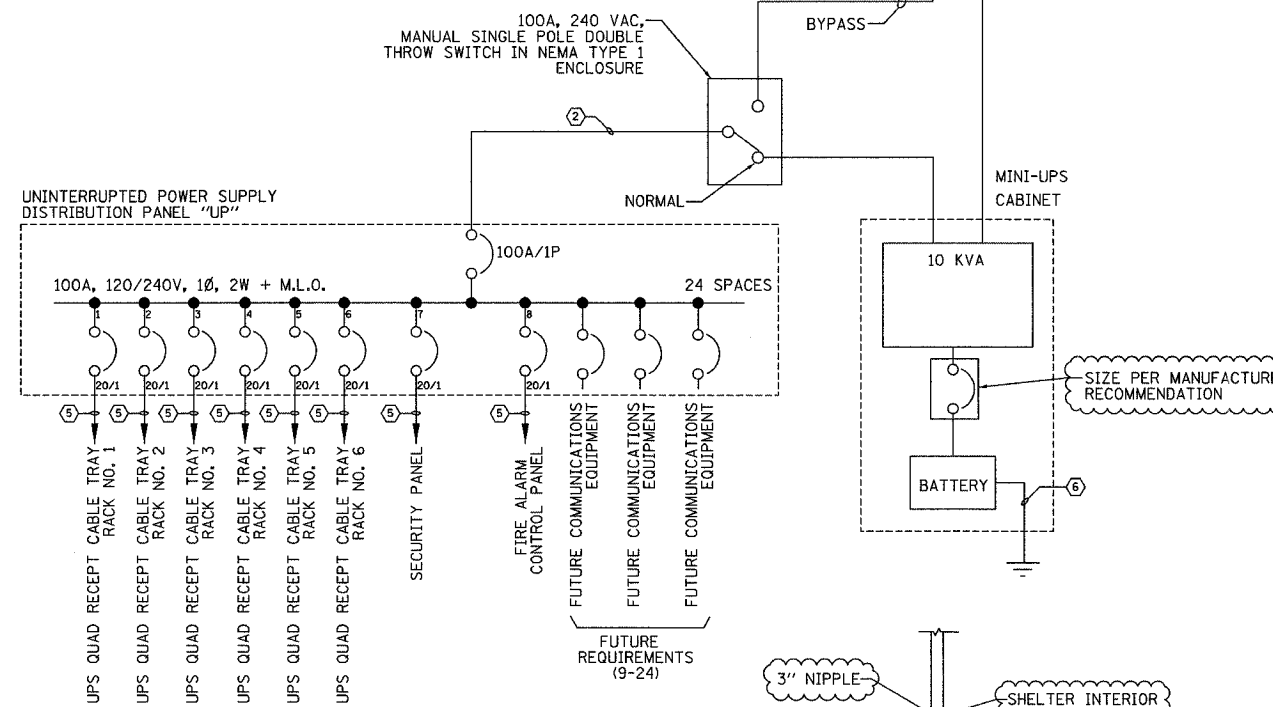


F.A.I. RTE. 94/90	SECTION 2003-031I	COUNTY COOK	TOTAL SHEETS 976	SHEET NO. 843
STA.	TO STA.			
FED. ROAD DIST. NO. ILLINOIS FED. AID PROJECT 62583				

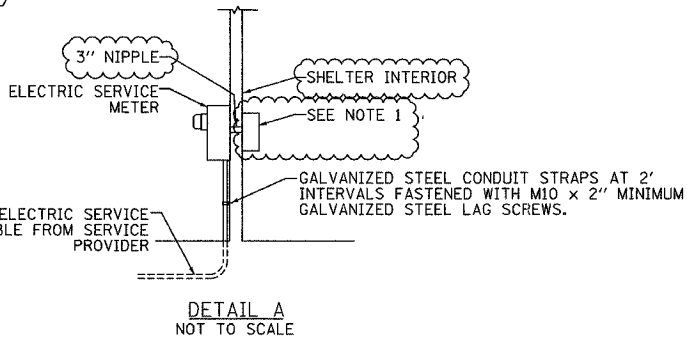
- (1) (2) #4/0, (1) #4/0 NEUTRAL & (1) #2 GND, 3" C
- (2) (1) #3, (1) #3 NEUTRAL, & (1) #8 GND, 1" C
- (3) (2) #8 & (1) #10 GND, 3/4" C
- (4) (2) #10 & (1) #12 GND, 3/4" C
- (5) (2) #12 & (1) #12 GND, 3/4" C
- (6) #6 GND WIRE, 3/4" C
- (7) #4/0, BARE COPPER GROUND
- (8) QUANTITY & CONTROL WIRE SIZE PER MANUFACTURER'S RECOMMENDATION, 3/4" RGS
- (9) #8 BARE COPPER GROUND
- (10) (3) #4/0, 3" C
- (11) (1) #2 GND, 1" C



LOAD DESCRIPTION	QTY	UNIT (W)	LOAD PER PHASE(KVA)		TRIP	POLES	WIRE SIZE	LOAD PER PHASE(W)	LOAD		
			A	B					UNIT (W)	QTY	DESCRIPTION
			A	B					A	B	
HVAC UNIT 1 (36K BTU)	1	10300	5150		40	2	6	10300	1	HVAC UNIT 2 (36K BTU)	
NORMAL QUAD RECEPTACLE - RACK 1	1	900	900		20	1	12	900	1	NORMAL QUAD RECEPTACLE - RACK 2	
NORMAL QUAD RECEPTACLE - RACK 3	1	900	900		20	1	12	900	1	NORMAL QUAD RECEPTACLE - RACK 4	
NORMAL QUAD RECEPTACLE - RACK 5	1	900	900		20	1	12	900	1	NORMAL QUAD RECEPTACLE - RACK 6	
LIGHTS	8	50		400	20	1	12	35	35	1	EXIT LIGHT
TVSS	1	N/A			60	2	4	900	180	5	DUPLEX RECEPTACLE
OUTDOOR GFCI RECEPTACLE	1	180	180		20	1	12	180	180	5	RECEPTACLE - POWER STRIP
UPS BYPASS (LOAD NOT INCLUDED IN TOTALS)					70	1	3	5000	10000	1	UPS INPUT (10 KVA)
SPARE					20	1					SPARE
GENERATOR PANEL 'GP'					60	2	6				SPARE
SPARE	1				20	1					SPARE
SPARE	1				20	1					SPARE
SPARE	1				20	1					SPARE
SPARE	1				20	1					SPARE
SPARE	1				20	1					SPARE
SPARE	1				20	1					SPARE
SPARE	1				20	1					SPARE
SPARE	1				20	1					SPARE
SPARE	1				20	1					SPARE
SPARE	1				20	1					SPARE



LOAD DESCRIPTION	QTY	UNIT (W)	LOAD PER PHASE(KVA)		TRIP	POLES	WIRE SIZE	LOAD PER PHASE(W)	LOAD		
			A	B					UNIT (W)	QTY	DESCRIPTION
			A	B					A	B	
UPS QUAD RECEPTACLE - CAB 1	1	900	900		20	1	12	900	900	1	UPS QUAD RECEPTACLE - CAB 2
UPS QUAD RECEPTACLE - CAB 3	1	900	900		20	1	12	900	900	1	UPS QUAD RECEPTACLE - CAB 4
UPS QUAD RECEPTACLE - CAB 5	1	900	900		20	1	12	900	900	1	UPS QUAD RECEPTACLE - CAB 6
SECURITY PANEL	1	280	280		20	1	12	280	280	1	FIRE ALARM CONTROL PANEL
SPARE	1				20	1					SPARE
SPARE	1				20	1					SPARE
SPARE	1				20	1					SPARE
SPARE	1				20	1					SPARE
SPARE	1				20	1					SPARE
SPARE	1				20	1					SPARE
SPARE	1				20	1					SPARE
SPARE	1				20	1					SPARE
SPARE	1				20	1					SPARE
SPARE	1				20	1					SPARE



NOTES:

- INSTALL NEW 225 AMP MAIN CIRCUIT BREAKER DISCONNECT SWITCH WITH NEUTRAL AND GROUND BUS IN NEMA 1 ENCLOSURE.
- PACKAGED STANDBY GENERATOR AND TRANSFER SWITCH, INSTALLATION ONLY.
- INSTALL NEW 225 AMP CIRCUIT BREAKER DISCONNECT SWITCH WITH NEUTRAL AND GROUND BUS IN NEMA TYPE 3R ENCLOSURE.
- MOUNT NEMA 3R DISCONNECT SWITCH TO STRUCTURAL FRAME OF GENERATOR. NOTE: DESIGNATED WORK SHALL BE PAID FOR AS PART OF COMMUNICATION SHELTER.
- ALL CONDUIT SHALL BE RIGID GALVANIZED STEEL UNLESS OTHERWISE NOTED.
- ALL WIRE SHALL BE TYPE THWN UNLESS OTHERWISE NOTED.

NAME	DATE
REVISION 1	12/17/04

ILLINOIS DEPARTMENT OF TRANSPORTATION
F.A.I. 94/90 (DAN RYAN EXPRESSWAY)
31st STREET to I-57
EAST SHELTER (R03)
POWER SINGLE LINE DIAGRAM
SCALE: NOT TO SCALE
DATE: October 29, 2004
DRAWN BY: JM
CHECKED BY: CS

12/15/2004 01:50:06 PM