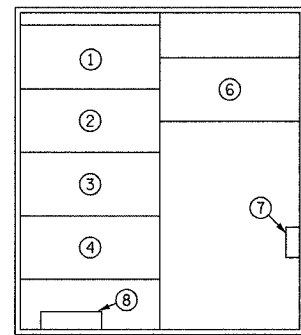
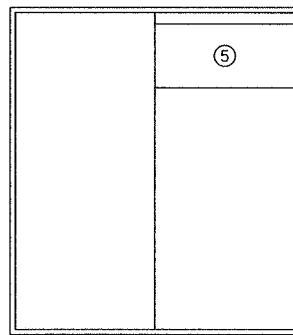


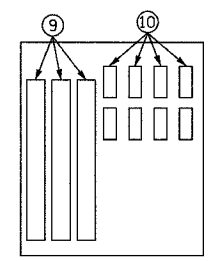
| | | | | |
|--------------------------------|-----------|------------------|--------------|-----------|
| F.A.I. RTE. | SECTION | COUNTY | TOTAL SHEETS | SHEET NO. |
| 94/90 | 2003-0311 | COOK | 976 | 855 |
| STA. | | TO STA. | | |
| FED. ROAD DIST. NO. - ILLINOIS | | FED. AID PROJECT | | |
| 62583 | | | | |



EXISTING FIBER OPTIC CABINET (FRONT)



EXISTING FIBER OPTIC CABINET (BACK)

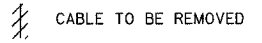


EXISTING IDOT SURV. CABINET (MCD18)

EQUIPMENT IDENTIFICATION KEY

- ① 48 FIBER TERMINATION PANEL (TO HALSTED FIBER HUT, FIBERS 1-48)
- ② 48 FIBER TERMINATION PANEL (TO HALSTED FIBER HUT, FIBERS 49-96)
- ③ 48 FIBER TERMINATION PANEL (TO MW HUT, FIBERS 1-48)
- ④ 48 FIBER TERMINATION PANEL (TO STEVENSON, FIBERS 1-48)
- ⑤ 48 FIBER TERMINATION PANEL (TO MLK DRIVE, FIBERS 1-48)
- ⑥ T1 MULTIPLEXER/CHANNEL BANK
- ⑦ FIBER OPTIC/T1 MEDIA CONVERTER
- ⑧ FIBER OPTIC SPLICE CLOSURE
- ⑨ TYPE-66 PUNCH DOWN BLOCK (TYP)
- ⑩ TERMINATION BLOCKS (TYP)

SYMBOLS



ABBREVIATIONS

- DR DAN RYAN
- MLK MARTIN LUTHER KING
- MW MICROWAVE
- PR PAIR

GENERAL NOTES

1. SEE SHEET COMM-85 FOR I-55/I-94 COMMUNICATION SHELTER SITE LAYOUT.
2. THIS SHEET DETAILS ONLY THE CUTOVER STAGING PLANS FOR THE I-55/DAN RYAN COMMUNICATION SHELTER. SEE COMMUNICATION AND CCTV SHEETS FOR ALL EQUIPMENT, CONDUIT, AND CABLE INSTALLATION AT THE SHELTER.

3. WORK/MATERIALS PAID FOR AS PART OF THE SHELTER.

CONSTRUCTION PHASING:

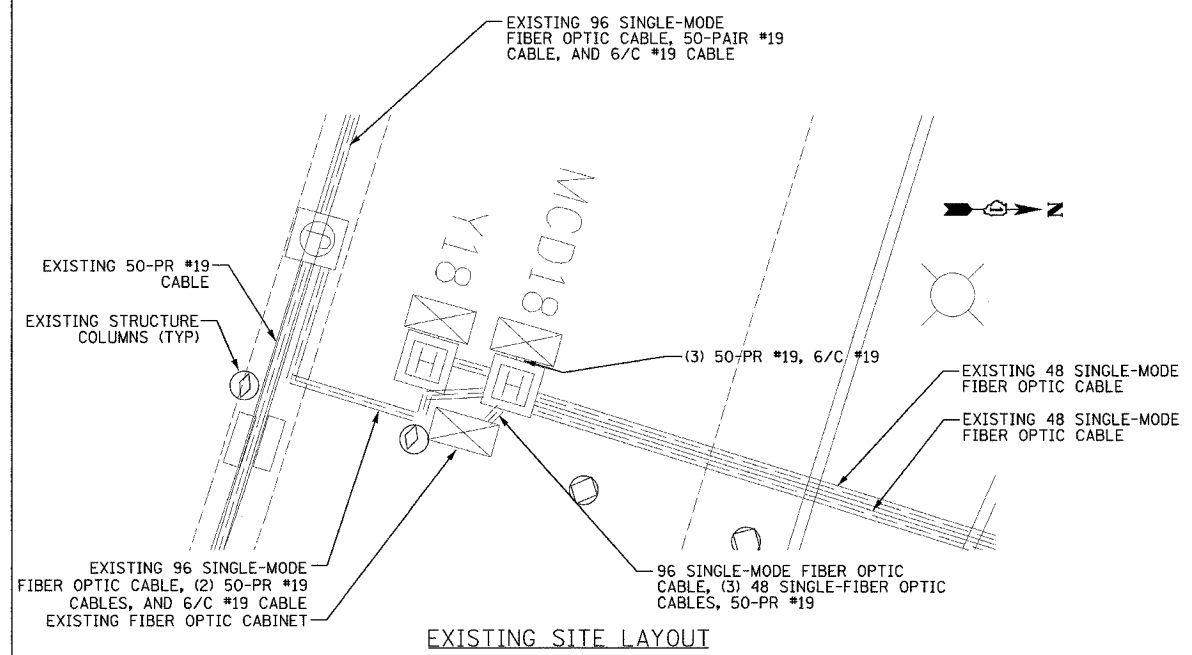
1. THE SEQUENCES OF WORK DO NOT IDENTIFY EVERY DETAIL OF THE WORK TO BE DONE NOR DO THEY DEFINE THE METHODS AND MATERIALS TO BE USED, EXCEPT AS EXPLICITLY REQUIRED BY IDOT OR OTHER AGENCIES HAVING JURISDICTION.
2. WORK THAT IMPACTS THE NORMAL OPERATION OF THE TRAFFIC MANAGEMENT OR COMMUNICATIONS SYSTEMS SHALL ONLY BE EXECUTED ON WEEKENDS FROM 10 PM FRIDAY EVENING TO 4 AM MONDAY MORNING. HOLIDAY AND SPECIAL EVENT WEEKENDS WILL BE EXCLUDED. THE CONTRACTOR SHALL COORDINATE AND RECEIVE PRIOR APPROVAL FROM THE ENGINEER FOR ALL WORK THAT COULD DEGRADE OR IMPAIR THE OPERATIONAL SYSTEMS. REQUESTS FOR APPROVAL SHALL BE MADE TO THE ENGINEER A MINIMUM OF 72 HOURS PRIOR TO THE ACTUAL COMMENCEMENT OF WORK.

SEQUENCE OF WORK - PRELIMINARY

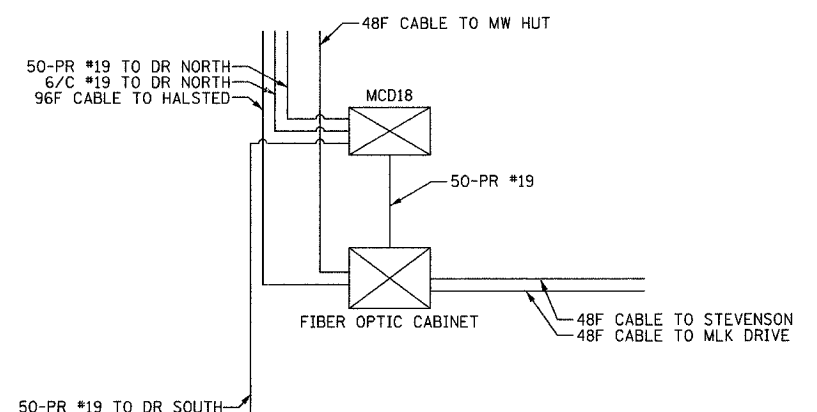
1. THE CONTRACTOR SHALL INSTALL THE I-55/DAN RYAN COMMUNICATION SHELTER PER THE PLANS AND SPECIAL PROVISIONS INCLUDING ALL THE UNDERGROUND CONDUIT, HANDHOLES, COMMUNICATION VAULTS, AND ELECTRIC SERVICE. SEE SHEETS COMM-85 THRU COMM-90 FOR DETAILS.
2. DRILL EXISTING HAND HOLE AS IDENTIFIED ON THE PLANS. INSTALL TWO (2) 4" GSC CONDUITS IN TRENCH BETWEEN DRILLED HAND HOLE AND NEW COMMUNICATION VAULT AS SHOWN ON THE PLANS.
3. INSTALL THE WALL MOUNTED FIBER OPTIC TERMINATION PANELS IN THE COMMUNICATION SHELTER AS IDENTIFIED ON SHEET COMM-86.
4. INSTALL ONE (1) 96 SINGLE-MODE FIBER OPTIC CABLE AND THREE (3) 48 SINGLE-MODE FIBER OPTIC CABLES FROM THE SHELTER TO THE EXISTING FIBER OPTIC CABINET. TERMINATE THE FIBER OPTIC CABLES IN THE SHELTER ON THE WALL MOUNTED TERMINAL PANELS.
5. PREPARE EQUIPMENT RACK SPACE IN THE SHELTER FOR THE EXISTING T1 MULTIPLEXER/CHANNEL BANK AND EXISTING T1/FIBER OPTIC MEDIA CONVERTER. SEE SHEET COMM-86 AND COMM-90 FOR PROPOSED SHELTER EQUIPMENT LAYOUT.
6. INSTALL ONE (1) 50-PAIR COPPER TWISTED CABLE FROM EXISTING IDOT CABINET MCD18 TO THE SHELTER EQUIPMENT RACK SPACE IDENTIFIED IN STEP PRELIM-5.

SEQUENCE OF WORK - CUTOVER

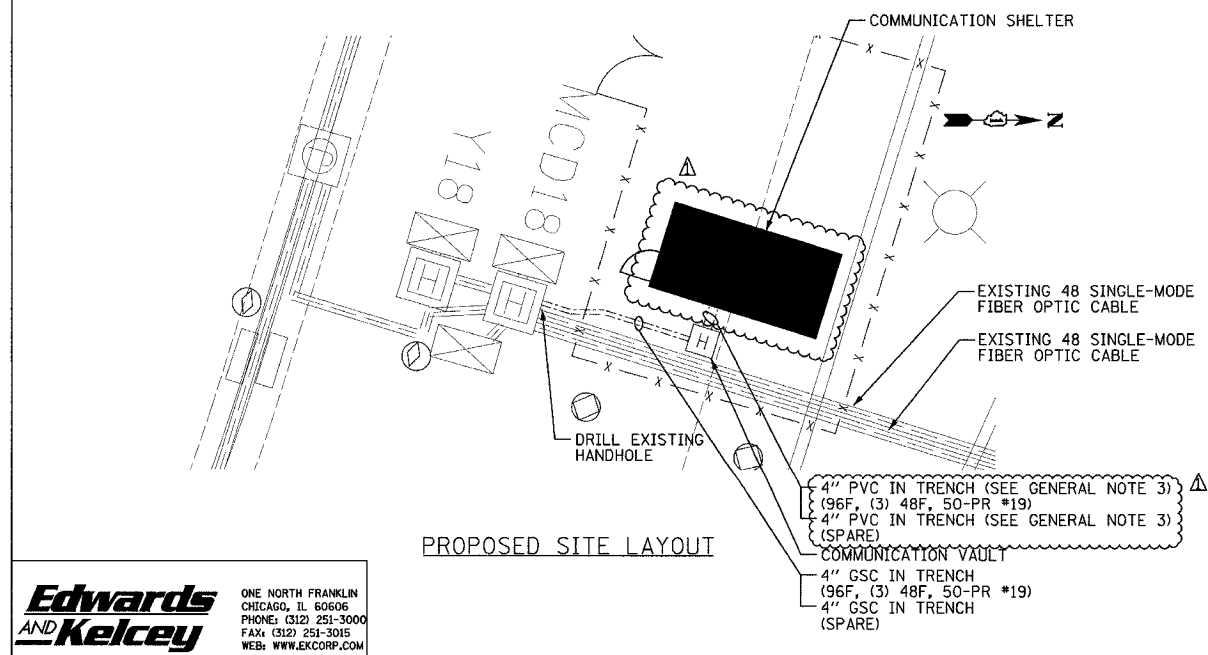
1. DISCONNECT THE EQUIPMENT FROM THE POWER IN FIBER OPTIC CABINET AND MCD18 CABINET.
2. DISCONNECT EXISTING FIBER OPTIC CABLES IN FIBER OPTIC CABINET FROM EXISTING TERMINATION PANELS. SPLICE NEW FIBER OPTIC CABLES IDENTIFIED IN STEP PRELIM-4 TO EXISTING FIBER OPTIC CABLES IN FIBER OPTIC CABINET USING FIBER OPTIC SPLICE CLOSURE AS IDENTIFIED IN THE SPECIAL PROVISIONS.
3. MOVE EXISTING T1 MULTIPLEXER/CHANNEL BANK AND T1/FIBER OPTIC MEDIA CONVERTER FROM FIBER OPTIC CABINET TO SHELTER EQUIPMENT RACK IDENTIFIED IN STEP PRELIM-5. DOCUMENT THE FIBERS USED BY THE T1/FIBER OPTIC MEDIA CONVERTER PRIOR TO DISCONNECTING THE FIBER FROM THE EQUIPMENT.
4. INSTALL FIBER OPTIC PATCH CABLES FROM WALL MOUNTED TERMINATION PANEL TO T1/FIBER OPTIC MEDIA CONVERTER CONNECTING THE EQUIPMENT TO THE SAME FIBERS IDENTIFIED IN STEP CUTOVER-3.
5. REMOVE EXISTING 50-PAIR #19 CABLE BETWEEN FIBER OPTIC CABINET AND CABINET MCD18. DOCUMENT THE EXISTING TWISTED PAIR CONNECTIONS.
6. CONNECT 50-PAIR CABLE, AS IDENTIFIED IN STEP PRELIM-6, TO THE PUNCH DOWN BLOCKS IN CABINET MCD18, AS NOTED IN STEP CUTOVER-5.
7. CONNECT 50-PAIR CABLE, IDENTIFIED IN STEP PRELIM-6, TO THE T1 MULTIPLEXER/CHANNEL BANK IN THE SHELTER EQUIPMENT RACK.
8. CONNECT T1 MULTIPLEXER/CHANNEL BANK TO T1/FIBER OPTIC MEDIA CONVERTER.
9. APPLY POWER TO THE EQUIPMENT IDENTIFIED IN STEP CUTOVER-3.
10. RESTORE POWER TO FIBER OPTIC CABINET AND CABINET MCD18.



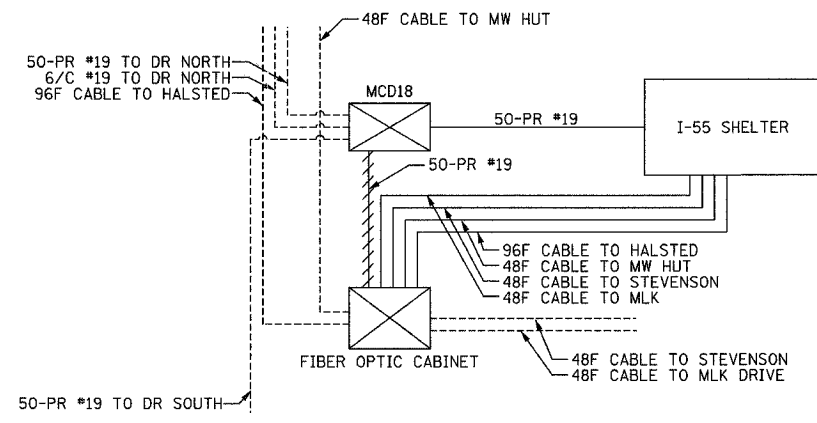
EXISTING SITE LAYOUT



EXISTING WIRING DIAGRAM NOT TO SCALE



PROPOSED SITE LAYOUT



PROPOSED WIRING DIAGRAM NOT TO SCALE

Edwards AND Kelcey
 ONE NORTH FRANKLIN
 CHICAGO, IL 60606
 PHONE: (312) 251-3000
 FAX: (312) 251-3015
 WEB: WWW.EKCORP.COM

| REVISIONS | |
|------------|----------|
| NAME | DATE |
| REVISION 1 | 12/17/04 |
| | |
| | |
| | |
| | |
| | |
| | |
| | |
| | |

ILLINOIS DEPARTMENT OF TRANSPORTATION
 F.A.I. 94/90 (DAN RYAN EXPRESSWAY)
 31st STREET to I-57
 I-55 SHELTER (R01)
 CUTOVER STAGING PLAN
 SCALE: NOT TO SCALE
 DATE: October 29, 2004
 DRAWN BY: DHI
 CHECKED BY: JEZ

12/15/2004 01:51:31 PM