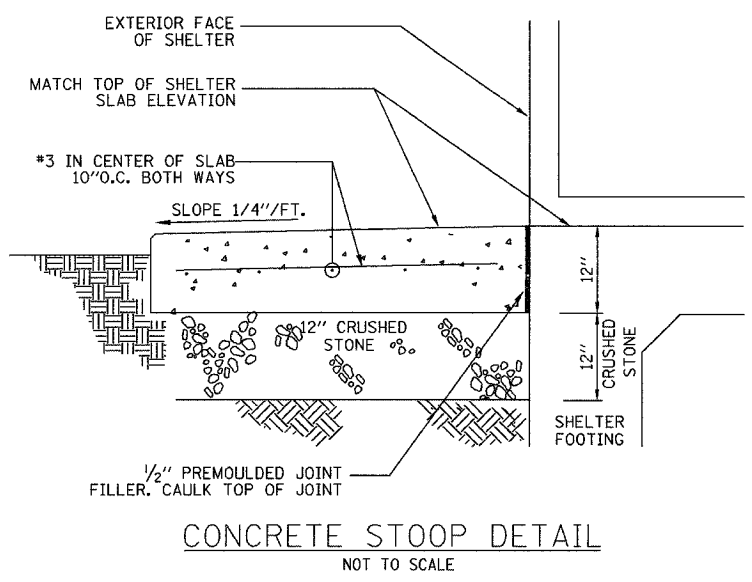
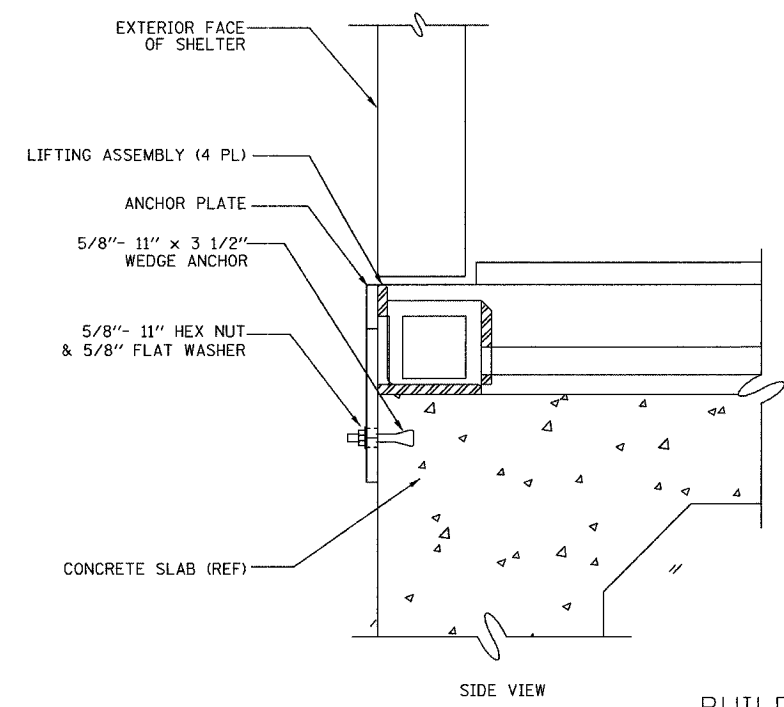


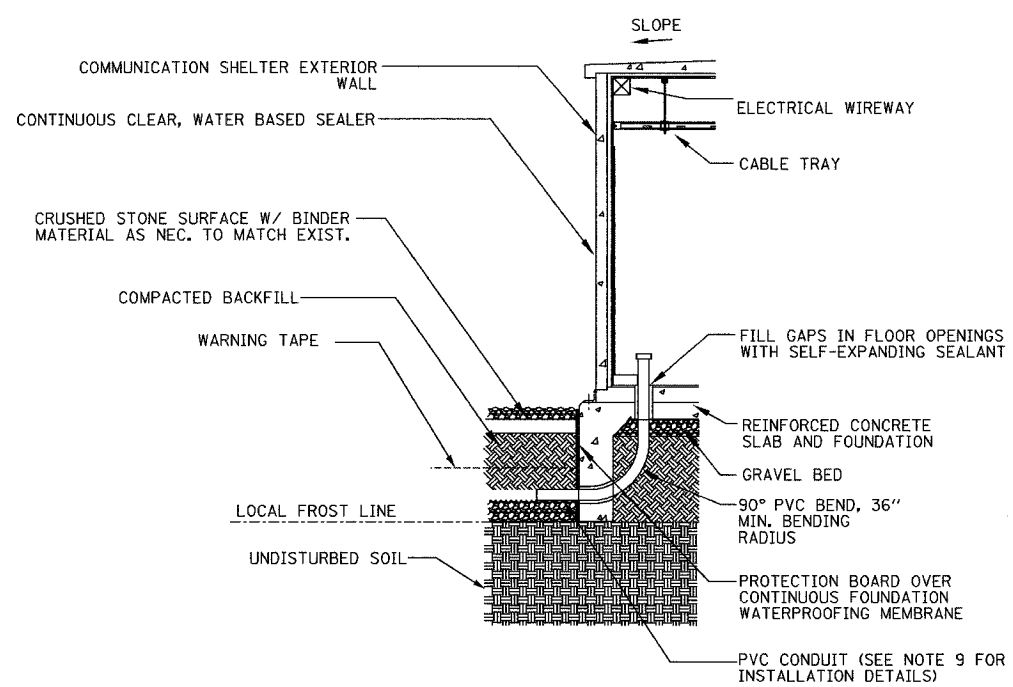
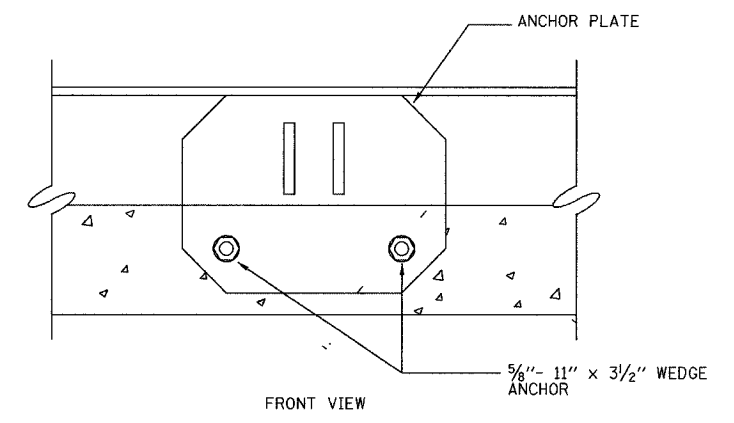
F.A.I. RTE.	SECTION	COUNTY	TOTAL SHEETS	SHEET NO.
94/90	2003-0311	COOK	976	858
STA.	TO STA.			
FED. ROAD DIST. NO.	ILLINOIS	FED. AID PROJECT		
62583				



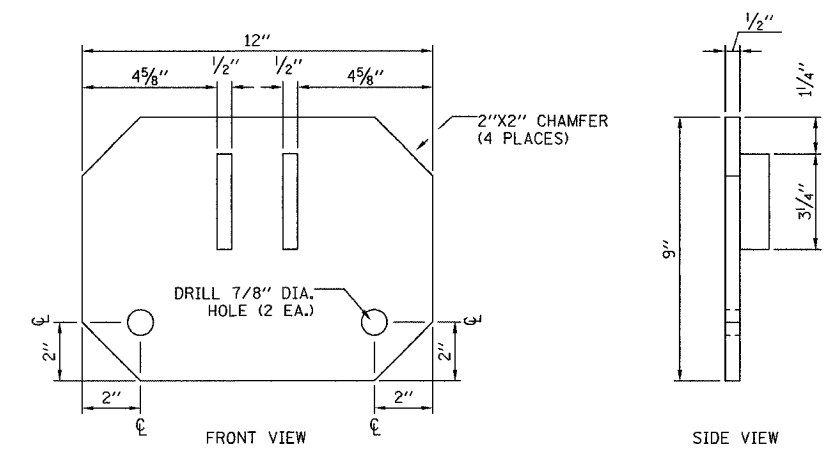
**CONCRETE STOOP DETAIL**  
NOT TO SCALE



**BUILDING ATTACHMENT DETAIL**  
NOT TO SCALE



**CONDUIT ENTRANCE DETAIL**  
NOT TO SCALE



**ANCHOR PLATE DETAIL**  
NOT TO SCALE

- NOTES:**
1. FOR ANCHOR PLATES, USE 1/2" THICK A36 STEEL.
  2. FINISH: ZINC HOT-DIP GALVANIZED PER ASTM A123.
  3. DEBURR ALL SHARP EDGES AND HOLES.
  4. ANCHOR PLATES PROVIDED BY SHELTER MANUFACTURER.
  5. SURFACING OF FINISHED SLAB SHALL BE LEVEL & FLAT WITHIN +1/4".
  6. CONTRACTOR SHALL COORDINATE THE INSTALLATION OF SHELTER ON TO ITS FOUNDATION WITH THE SHELTER FABRICATOR, MAKE ALL CONNECTIONS NECESSARY & INSTALL EQUIPMENT AS INDICATED.
  7. IF ROCK IS ENCOUNTERED, CONTACT ENGINEER IMMEDIATELY. DO NOT PROCEED UNTIL ENGINEER ISSUES REVISED FOUNDATION DESIGN BASED ON SUBSURFACE CONDITIONS.
  8. COORDINATE CONDUIT ENTRY LOCATION WITH ENGINEER PER SITE PLAN DETAIL SHEET AND COMMUNICATION SHELTER FOUNDATION.

REVISIONS	
NAME	DATE

ILLINOIS DEPARTMENT OF TRANSPORTATION  
F.A.I. 94/90 (DAN RYAN EXPRESSWAY)  
31st STREET to I-57  
SHELTER FOUNDATION DETAILS  
(SHEET 2 OF 2)

SCALE: NOT TO SCALE  
DATE: October 29, 2004

DRAWN BY: JMM  
CHECKED BY: CS

F:\NO.300190.035\VT\SCADD\010204\020422E.SHT 11/23/2004 12:46:33 PM