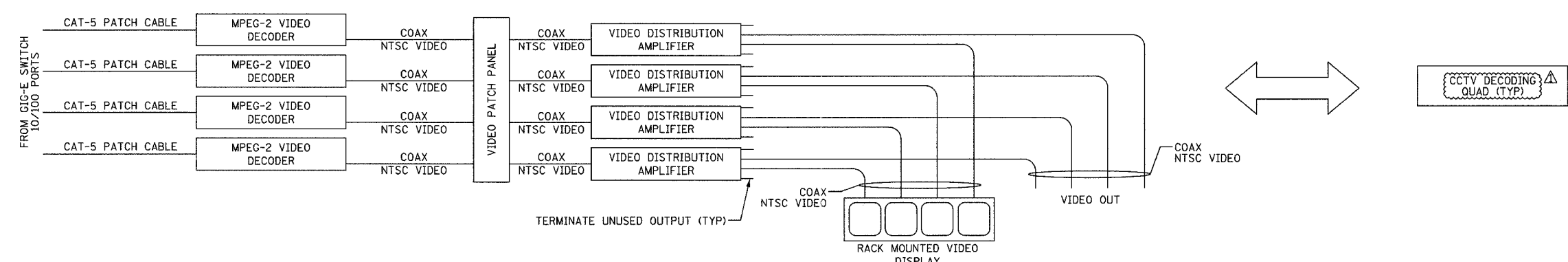
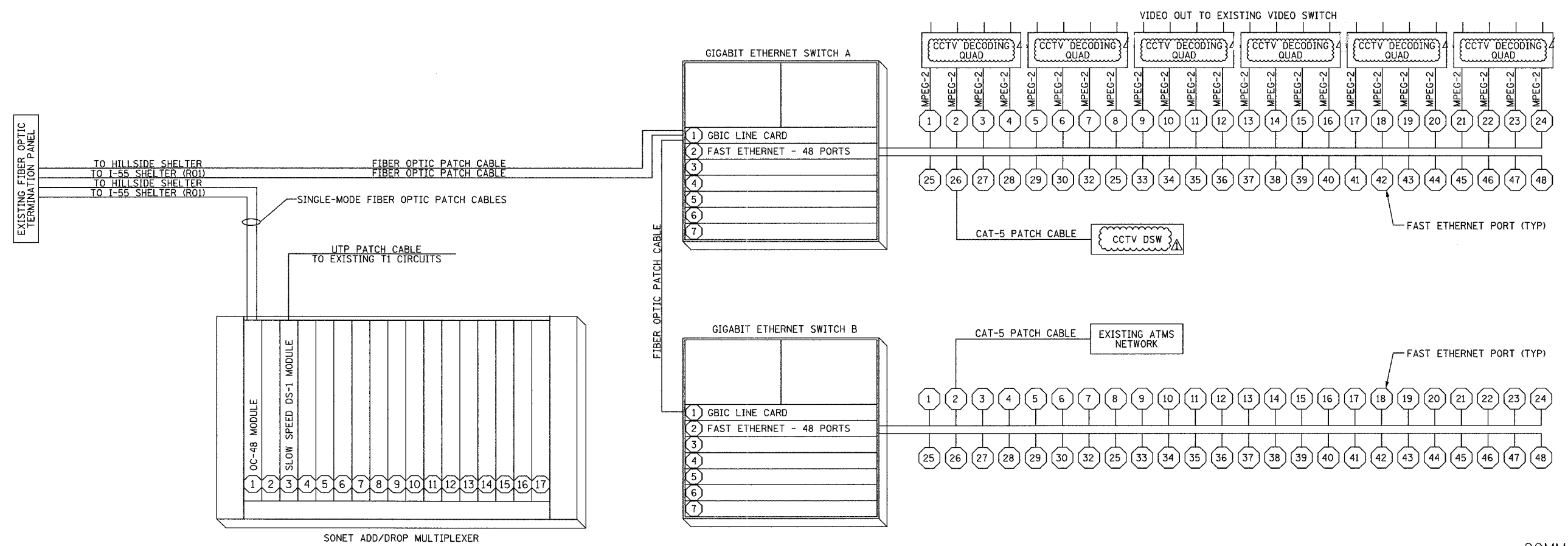


F.A.I. RTE.	SECTION	COUNTY	TOTAL SHEETS	SHEET NO.
94/90	2003-0311	COOK	976	871
STA.		TO STA.		
FED. ROAD DIST. NO.	ILLINOIS	FED. AID PROJECT		
62583				



ONE-LINE DIAGRAM FOR CCTV DECODING QUAD  
NOT TO SCALE



EQUIPMENT INTERCONNECT DIAGRAM  
NOT TO SCALE

- NOTES:
- THIS DRAWING IS FOR REFERENCE ONLY AND PROVIDES AN OVERVIEW OF THE CCTV EQUIPMENT INTERCONNECTS AT THE COMMUNICATION SHELTER.
  - CONTRACTOR SHALL PROVIDE NECESSARY POWER CONNECTIONS TO THE EQUIPMENT.
  - ALL CCTV DECODING QUADS SHALL BE FULLY EQUIPPED WITH ALL HARDWARE.

LEGEND:  
DSW DISTRIBUTION SYSTEM WORKSTATION

**Edwards AND Kelcey**  
ONE NORTH FRANKLIN  
CHICAGO, IL 60606  
PHONE: (312) 251-3000  
FAX: (312) 251-3015  
WEB: WWW.EKCORP.COM

REVISIONS	
NAME	DATE
REVISION 1	12/17/04

ILLINOIS DEPARTMENT OF TRANSPORTATION  
F.A.I. 94/90 (DAN RYAN EXPRESSWAY)  
31st STREET TO I-57

TRAFFIC SYSTEMS CENTER (TSC)  
WIRING DIAGRAM

SCALE: NOT TO SCALE  
DATE: October 29, 2004

DRAWN BY: DHI  
CHECKED BY: JEZ

COMM-105

12/15/2004 04:52:16 PM