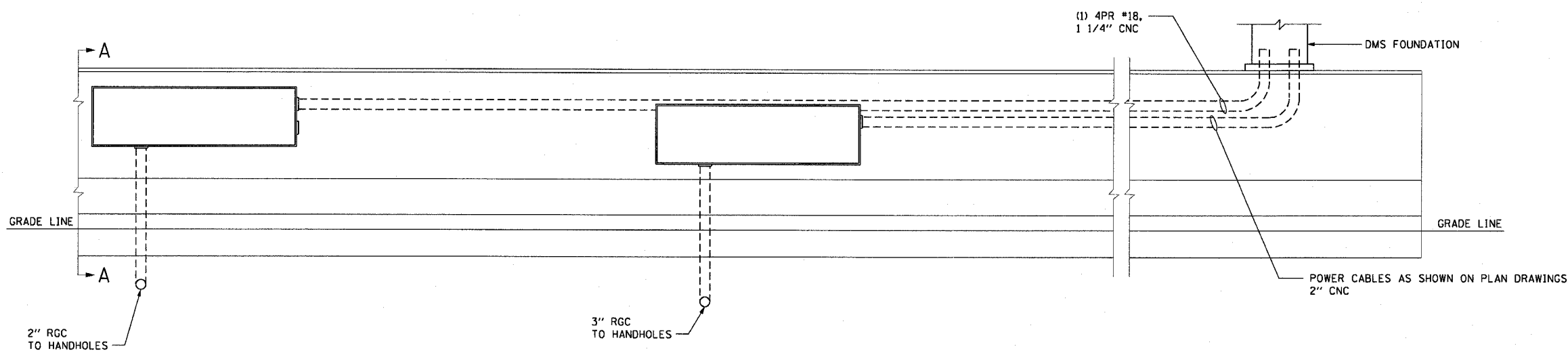


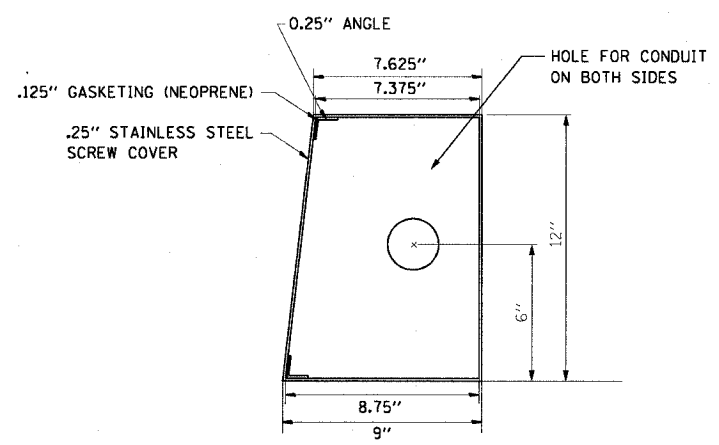
F.A.I. RTE.	SECTION	COUNTY	TOTAL SHEETS	SHEET NO.
90/94	2003-0311	COOK	976	897
STA.	TO STA.			
FED. ROAD DIST. NO. 1	ILLINOIS	FED. AID PROJECT		

62583

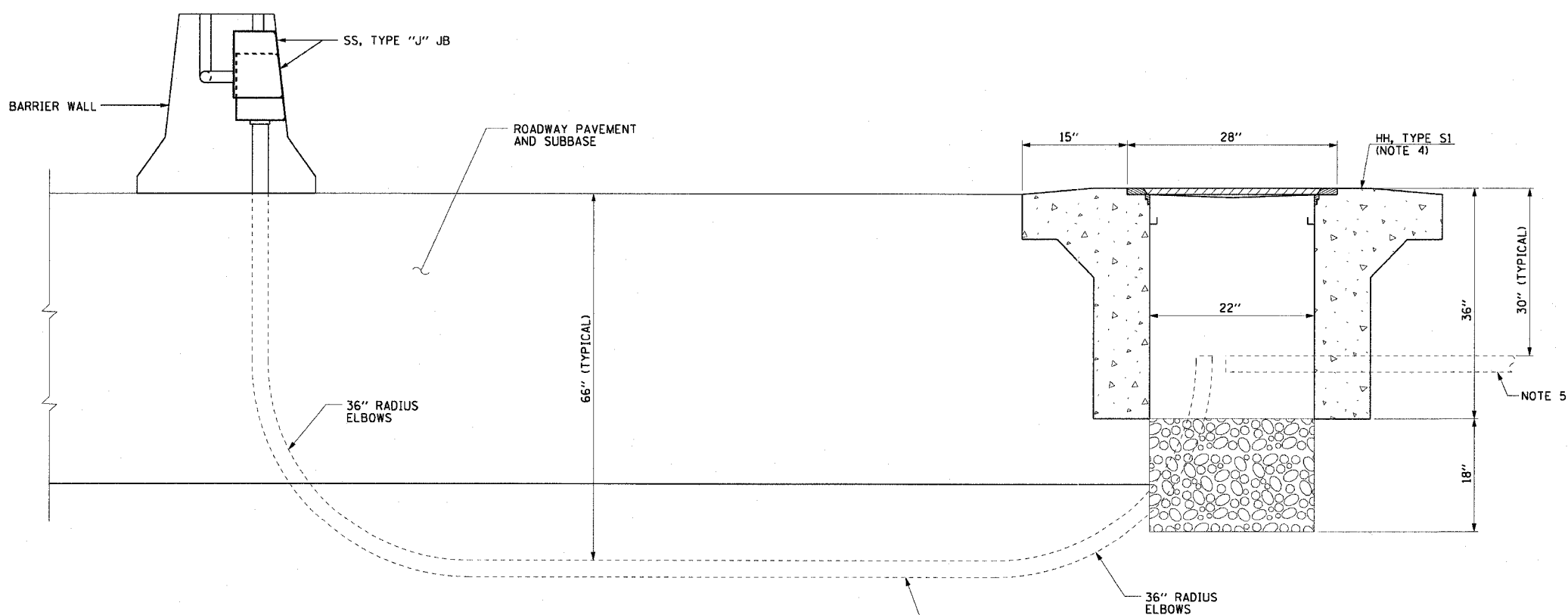
- NOTES:**
- SEE DRAWINGS ME-01 AND ME-02 FOR ELECTRICAL SYMBOLS AND ABBREVIATIONS.
 - ALL WELDS MUST BE CONTINUOUS AND LEAK PROOF. BOX AND COVER MUST BE .25" TYPE 316 STAINLESS STEEL.
 - ALL CONDUIT AND JUNCTION BOXES SHOWN IN BARRIER WALLS OR UNDER PAVEMENT ARE FURNISHED AND INSTALLED BY OTHERS UNDER A SEPARATE CONTRACT. ALL ELECTRIC CABLES ARE FURNISHED AND INSTALLED UNDER THIS CONTRACT.
 - HANDHOLE AND CONDUIT ENTRY CONFIGURATION IS TYPICAL. DEPENDING ON LOCATION HH MAY BE INSTALLED IN SHOULDER OR IN GRASS OUTSIDE OF THE ROADWAY CURB AND GUTTER. WHEN TWO HANDHOLES ARE SHOWN ON THE PLAN SHEETS, DMS-01 THROUGH DMS-08, ONE CONDUIT WILL BE INSTALLED IN EACH HANDHOLE TO KEEP POWER AND CONTROL CABLES SEPARATE.
 - CONDUIT AND CABLE SIZES AS SHOWN ON THE PLAN SHEETS DMS-01 THROUGH DMS-08.



1 BARRIER WALL DUCT DETAIL ELEVATION
DMS-10 NOT TO SCALE



3 SPECIAL JUNCTION BOX
DMS-10 TYPE "J" - SIDE VIEW
NOTE 2



2 SECTION A-A
DT-01

REVISIONS	
NAME	DATE
REVISED	1/21/05

ILLINOIS DEPARTMENT OF TRANSPORTATION
F.A.I. 90/94 (DAN RYAN EXPRESSWAY)
31st STREET TO I-57

DUCT DETAIL FOR CANTILEVER MOUNTED
DMS (JUNCTION BOX IN BARRIER WALL)

SCALE: NOT TO SCALE DRAWN BY: KCM
DATE: October 29, 2004 CHECKED BY: WDS

01/21/2005 02:16:42 PM