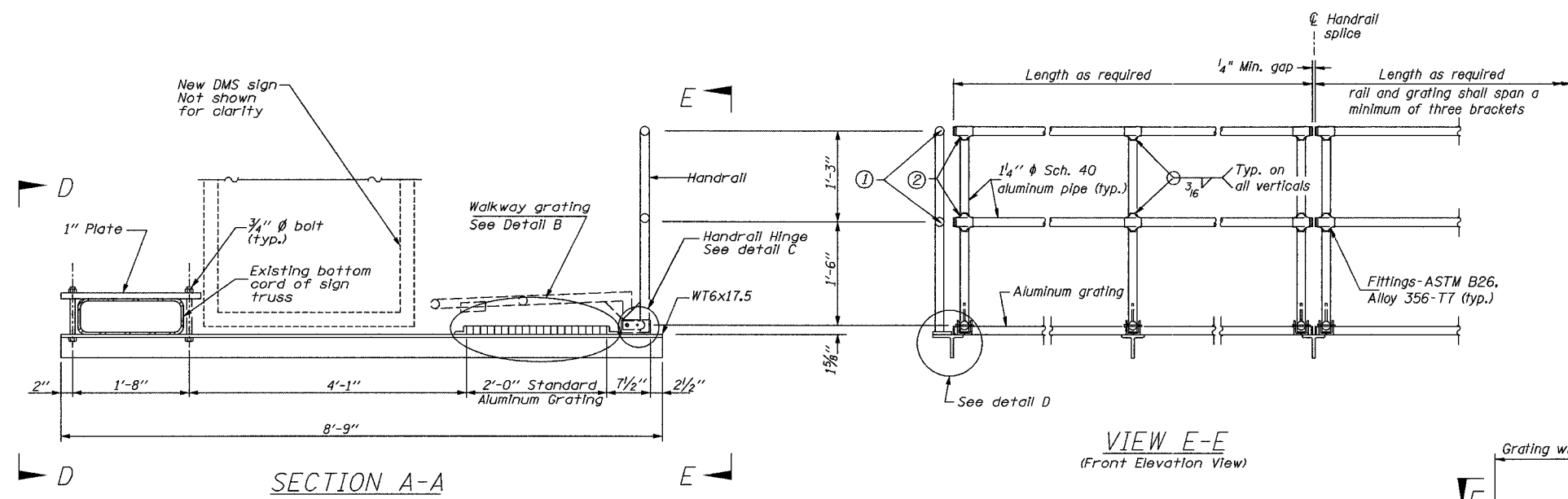


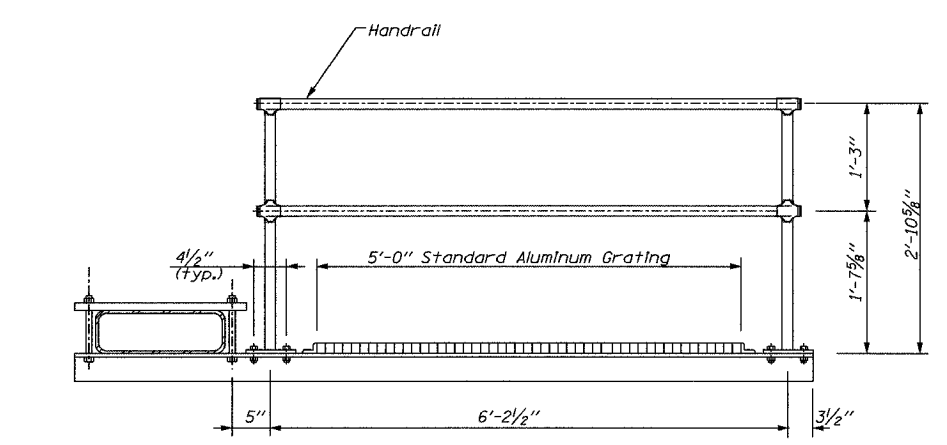
F.A.I. RTE.	SECTION	COUNTY	TOTAL SHEETS	SHEET NO.
94/90	2003-0311	COOK	976	904
STA.	TO STA.			
FED. ROAD DIST. NO.	ILLINOIS FED. AID PROJECT			
	62583			



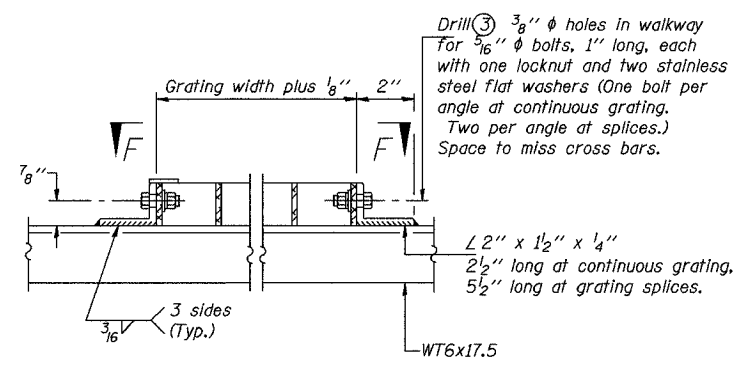
SECTION A-A

VIEW E-E
(Front Elevation View)

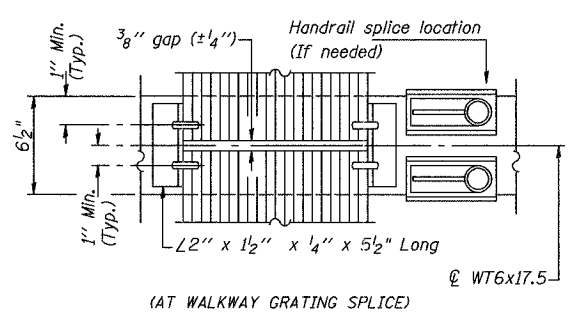
- Install standard force-fit end caps or weld 1/8" end plates with 1/8" c.f.w. and grind smooth. (All rail ends)
- Horizontal handrail member shall be continuous thru fitting. Provide 1/16" hole in fitting for 3/8" bolt. Field drill 1/16" hole in horizontal rail member. Provide locknut and two stainless steel washers for bolt. (Use 5/16" eyebolts in 1/16" holes on top rail at ends only.)



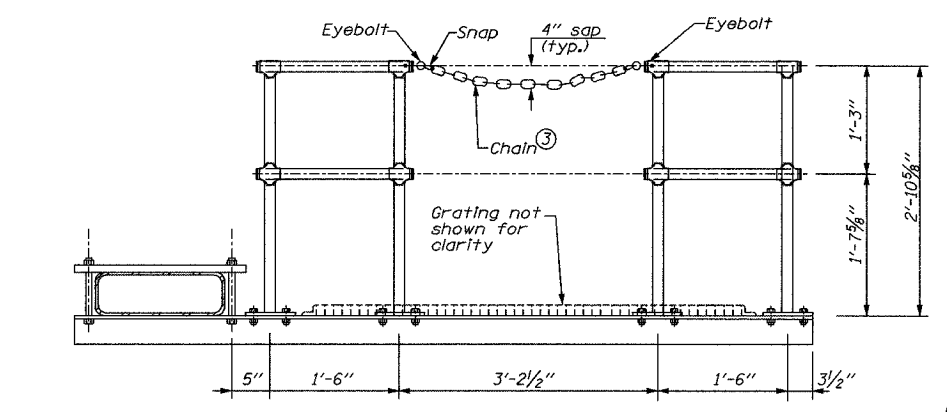
VIEW B-B
(Side Elevation)



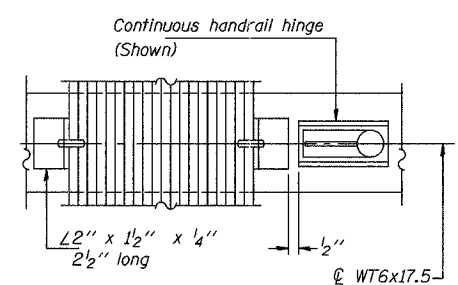
DETAIL B
(Walkway grating)



(AT WALKWAY GRATING SPLICE)



SECTION C-C
(Side Elevation)



SECTION F-F
(At Continuous Walk Grating)

SPECIFICATIONS FOR STANDARD ALUMINUM GRATING

- Main Bearing Bars shall be 3/8" x 1 1/2" on 1 3/8" centers and conform to ASTM B221 Alloy 6061-T6.
Cross bars shall be 3/8" x 1 1/2" on 4" centers and conform to ASTM B221 Alloy 6063-T5 or 6061-T6.
OR
Aluminum Grating with modified "+" sections for main bearing bars shall meet the following requirements:
Main bars shall conform to ASTM B221 Alloy 6061-T6 and have a minimum section modulus equal to 0.0705 in.³ per bar, a depth of 1 1/2", spaced on 1 3/8" centers.
Cross bars shall conform to ASTM B221 Alloy 6063-T5 or T-42 and spaced on 4" centers.
- Drilling holes in grating may be done in shop or field, based on Contractor's preference and subject to accurate alignment.

③ 3/16" galvanized steel chain, approximately 12 links per foot. Chain to be hot dip galvanized after manufacture and suitable for prolonged exterior exposure. Alternate materials may be substituted with the Engineer's approval.

DT-09

Edwards AND Kelcey
ONE NORTH FRANKLIN
CHICAGO, IL 60606
PHONE: (312) 251-3000
FAX: (312) 251-3015
WEB: WWW.EKCORP.COM

REVISIONS	
NAME	DATE

ILLINOIS DEPARTMENT OF TRANSPORTATION
F.A.I. 94/90 (DAN RYAN EXPRESSWAY)
31st STREET to I-57

OVERHEAD DYNAMIC MESSAGE SIGN (DMS-08)
WALKWAY DETAILS

SCALE: NONE
DATE: October 29, 2004
DRAWN BY: RLK
CHECKED BY: JAP

11/23/2004 10:50:51 AM