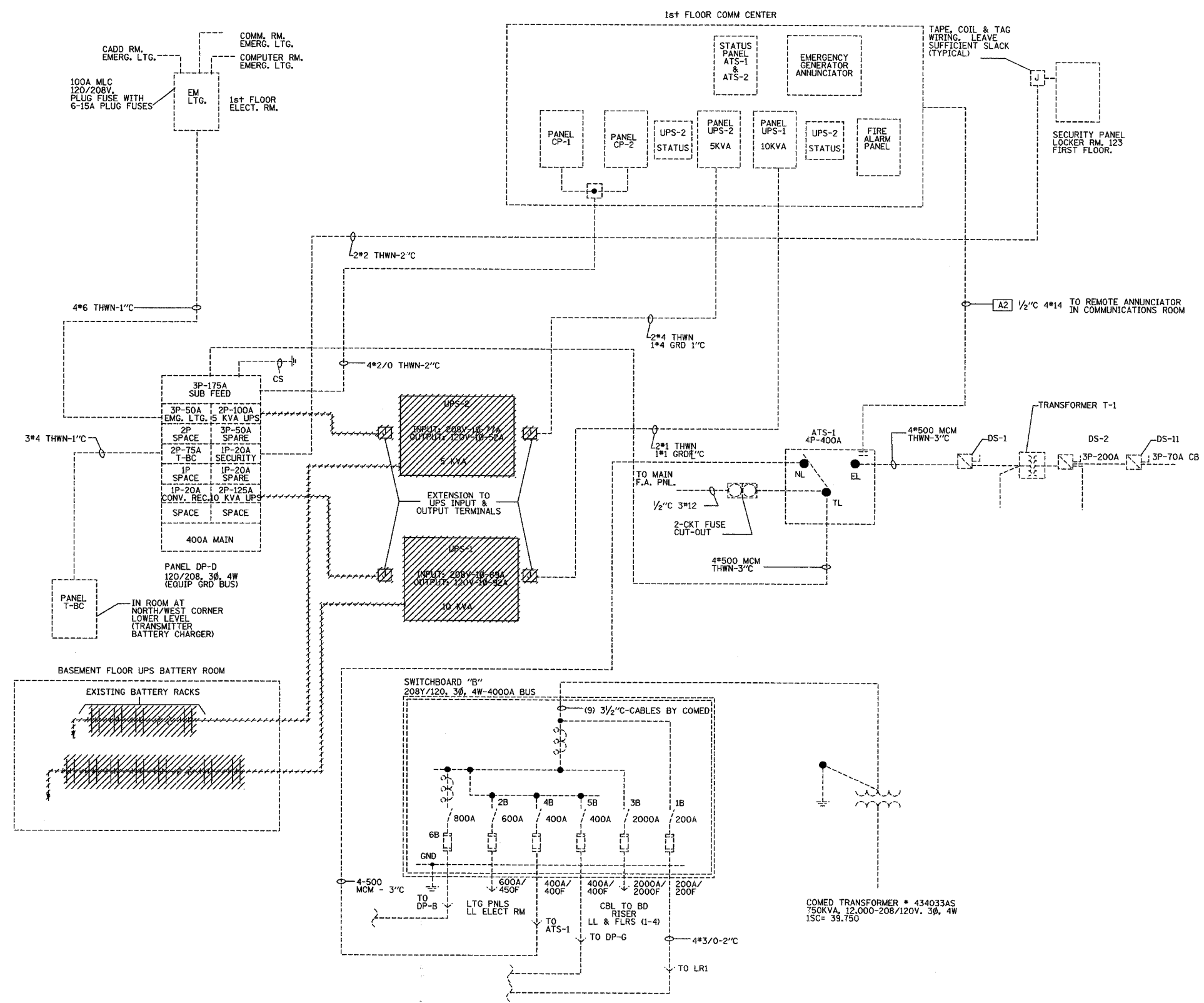


F.A.I. RTE.	SECTION	COUNTY	TOTAL SHEETS	SHEET NO.
94/90	2003-0311	COOK	976	909
STA.	TO STA.			
FED. ROAD DIST. NO.	ILLINOIS	FED. AID PROJECT		
62583				



LEGEND

 EXISTING CONDUIT AND OR EQUIPMENT TO BE REMOVED

REVISIONS	
NAME	DATE

ILLINOIS DEPARTMENT OF TRANSPORTATION
 F.A.I. 94/90 (DAN RYAN EXPRESSWAY)
 31st STREET to I-57

EXISTING SINGLE LINE DIAGRAM

SCALE: NOT TO SCALE
 DATE: October 29, 2004

DRAWN BY: SST
 CHECKED BY: CS

Edwards AND Kelcey
 ONE NORTH FRANKLIN
 CHICAGO, IL 60606
 PHONE: (312) 251-3000
 FAX: (312) 251-3015
 WEB: WWW.EDKORP.COM

DT-12B

10/15/2004 11:53:13 AM