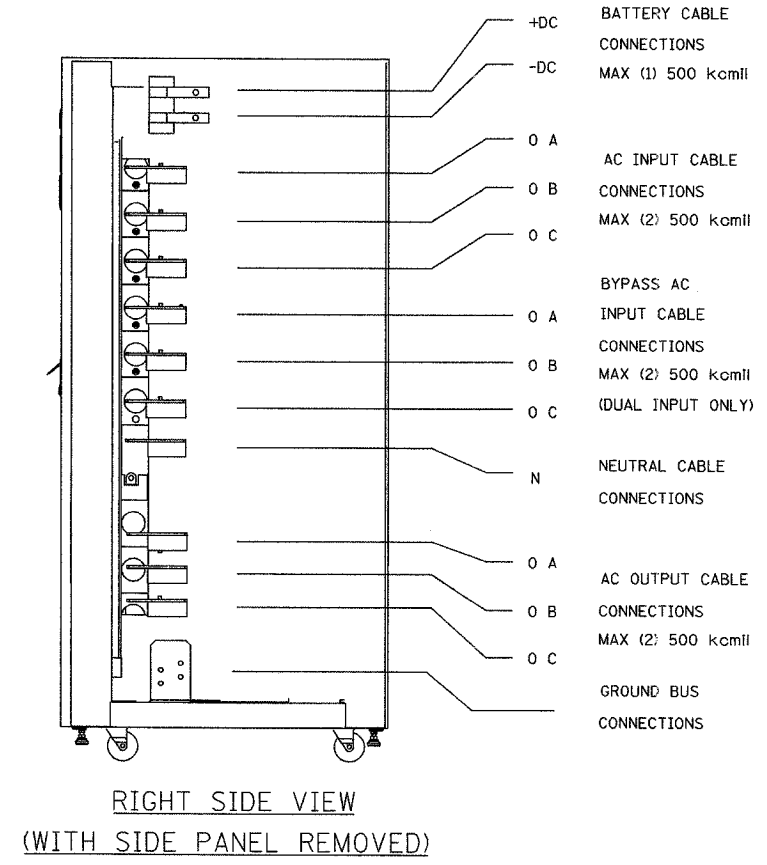
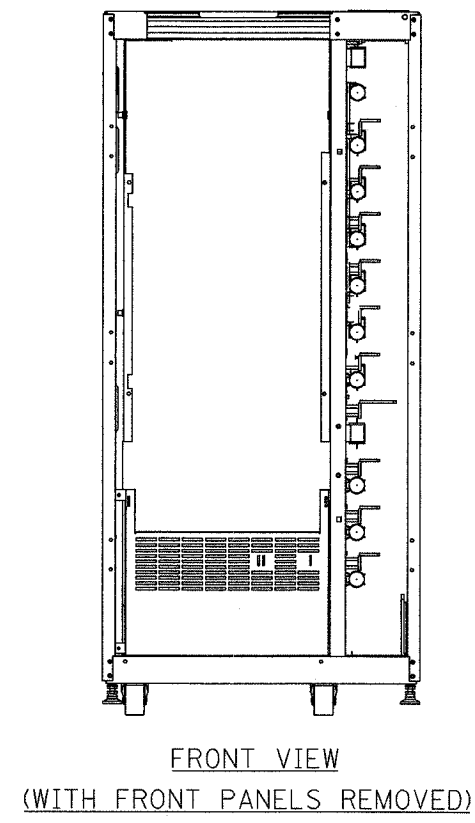
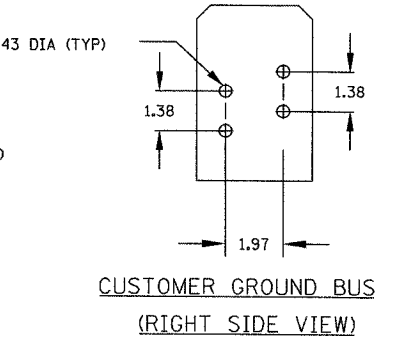
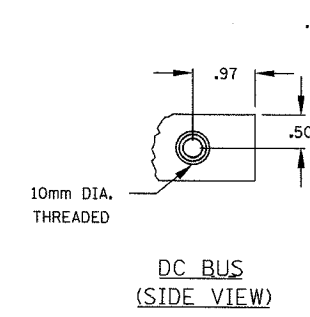
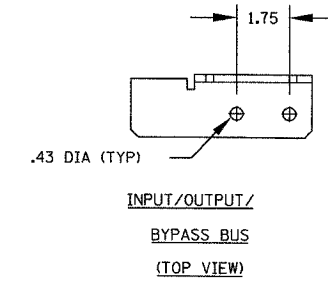
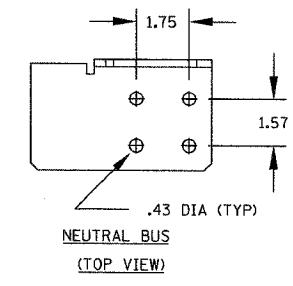


SECTION	COUNTY	TOTAL SHEETS	SHEET NO.
2003-0311	COOK	976	914
STA. TO STA.		FED. AID PROJECT	
FED. ROAD DIST. NO. 62583		ILLINOIS	



- DC INPUT BATTERY CABLE CONNECTIONS
MAX (1) 500 komil
- +DC
- DC
- 0 A
- 0 B
- 0 C
- AC INPUT CABLE CONNECTIONS
MAX (2) 500 komil
- BYPASS AC INPUT CABLE CONNECTIONS
MAX (2) 500 komil (DUAL INPUT ONLY)
- 0 A
- 0 B
- 0 C
- N
- NEUTRAL CABLE CONNECTIONS
- 0 A
- 0 B
- 0 C
- AC OUTPUT CABLE CONNECTIONS
MAX (2) 500 komil
- GROUND BUS CONNECTIONS



- NOTES:
- ALL DIMENSIONS ARE IN INCHES.
 - TOP AND BOTTOM CABLE ENTRY AVAILABLE THROUGH REMOVABLE ACCESS PLATES. REMOVE, PUNCH TO SUIT CONDUIT SIZE, AND REPLACE.
 - CONTROL WIRING AND POWER WIRING MUST BE RUN IN SEPARATE CONDUIT. OUTPUT CABLES MUST BE RUN IN A SEPARATE CONDUIT FROM INPUT CABLES.
 - ALUMINUM AND COPPER CLAD ALUMINUM CABLES ARE NOT RECOMMENDED.
 - ALL WIRING IS TO BE IN ACCORDANCE WITH NATIONAL AND LOCAL ELECTRICAL CODES.

Edwards AND Kelcey
 ONE NORTH FRANKLIN
 CHICAGO, IL 60606
 PHONE: (312) 251-3000
 FAX: (312) 251-3015
 WEB: WWW.EKCORP.COM

REVISIONS	
NAME	DATE

ILLINOIS DEPARTMENT OF TRANSPORTATION
 F.A.I. 94/90 (DAN RYAN EXPRESSWAY)
 31st STREET TO I-57
 TERMINAL DETAILS
 40 KVA UPS MODULE
 SCALE: NOT TO SCALE
 DATE: October 29, 2004
 DRAWN BY: SST
 CHECKED BY: CS

DT-12G

10/14/2004 09:23:53 AM