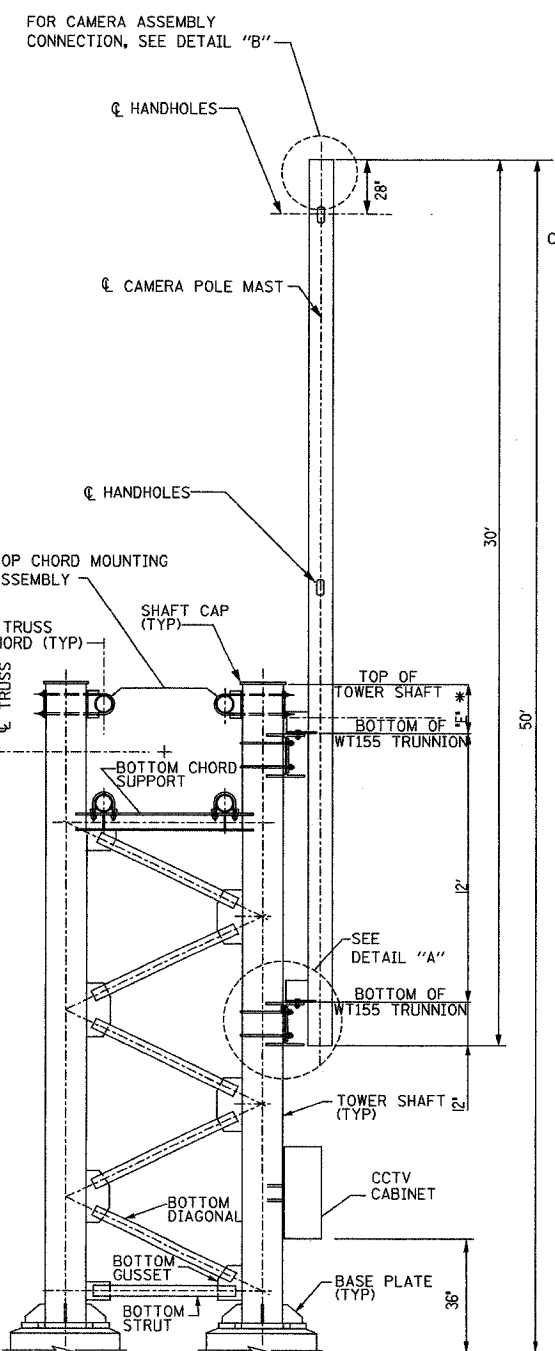
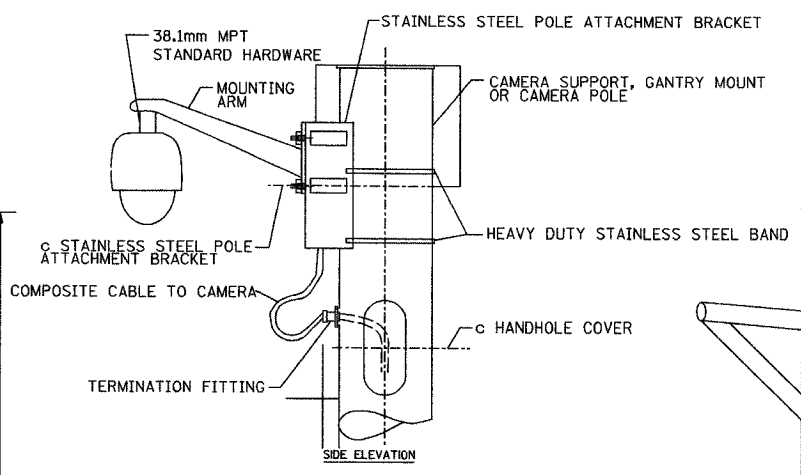


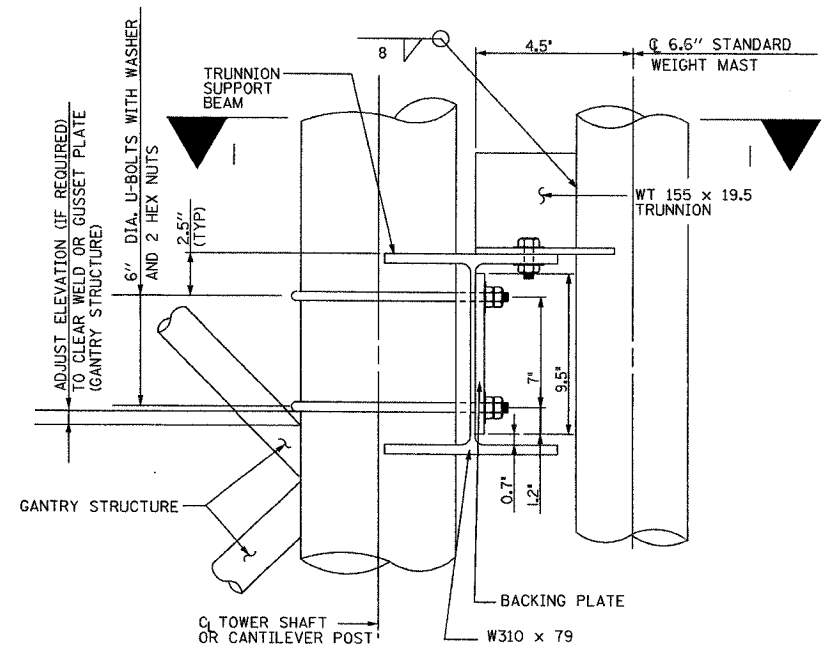
F.A.I. RTE.	SECTION	COUNTY	TOTAL SHEETS	SHEET NO.
94/90	2003-031I	COOK	976	420
STA.	TO STA.			
FED. ROAD DIST. NO. - ILLINOIS FED. AID PROJECT				
62583				



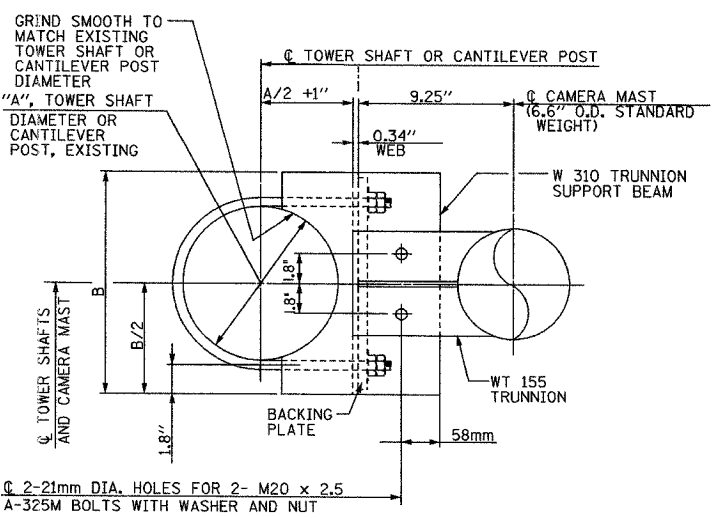
ELEVATION  
GANTRY STRUCTURE TYPE I  
DUAL TRUSS POST



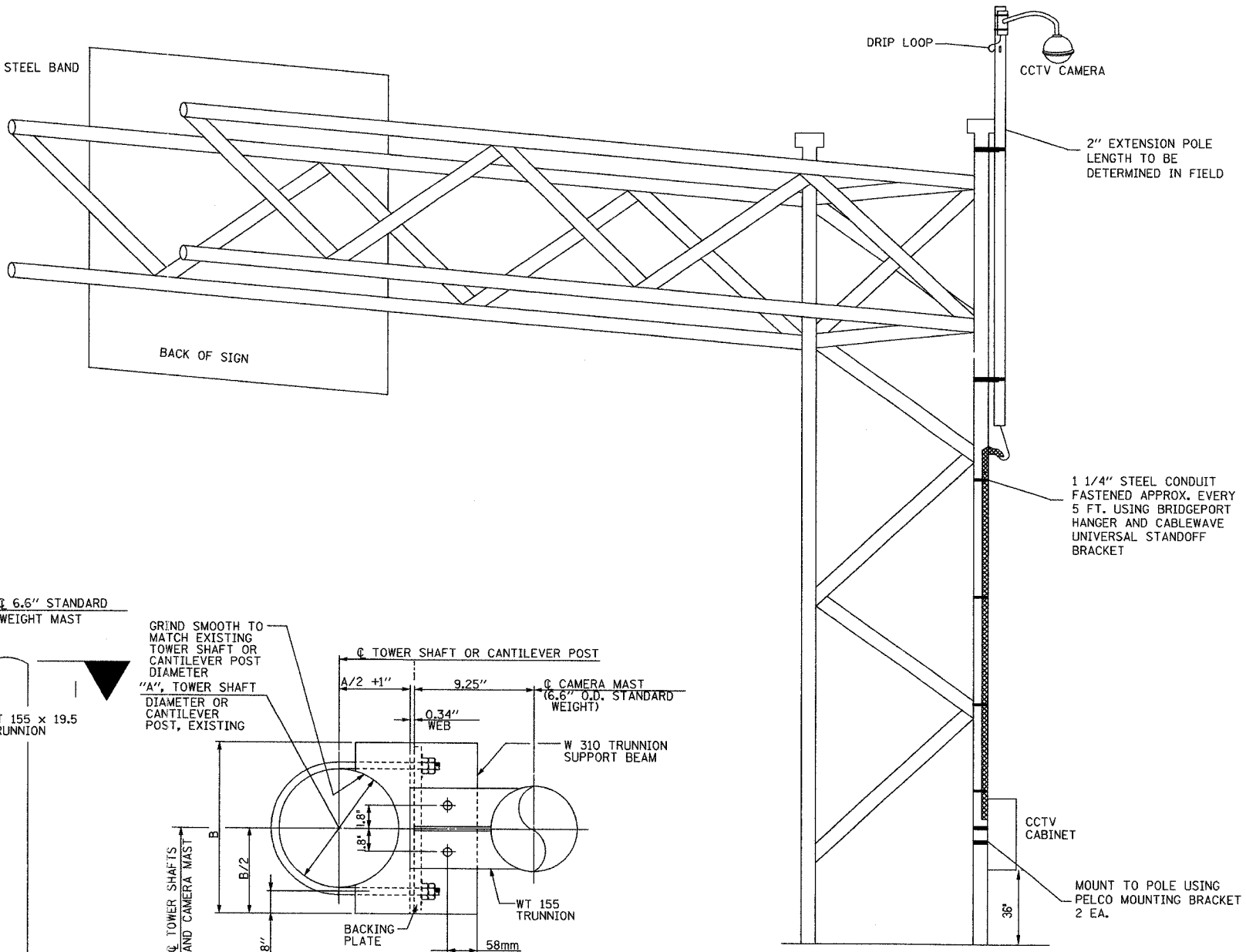
DETAIL B



DETAIL A  
SCALE 1/5



SECTION I-I  
SCALE 1/5



DT-16

NOTE:  
1. FOR CCTV CABINET COMMUNICATIONS  
AND WIRING DIAGRAM SEE DT-13 THRU DT-15.

**Edwards  
and Kelcey**  
ONE NORTH FRANKLIN  
CHICAGO, IL 60606  
PHONE: (312) 251-3000  
FAX: (312) 251-3015  
WEB: WWW.EKCORP.COM

REVISIONS	
NAME	DATE

ILLINOIS DEPARTMENT OF TRANSPORTATION  
F.A.I. 94/90 (DAN RYAN EXPRESSWAY)  
31st STREET to I-57  
  
CCTV CAMERA INSTALLATION  
ON EXISTING SIGN STRUCTURE  
  
SCALE: 1"=50'  
DATE: October 29, 2004  
DRAWN BY: SD  
CHECKED BY: M.JL

10/14/2004 09:409 AM