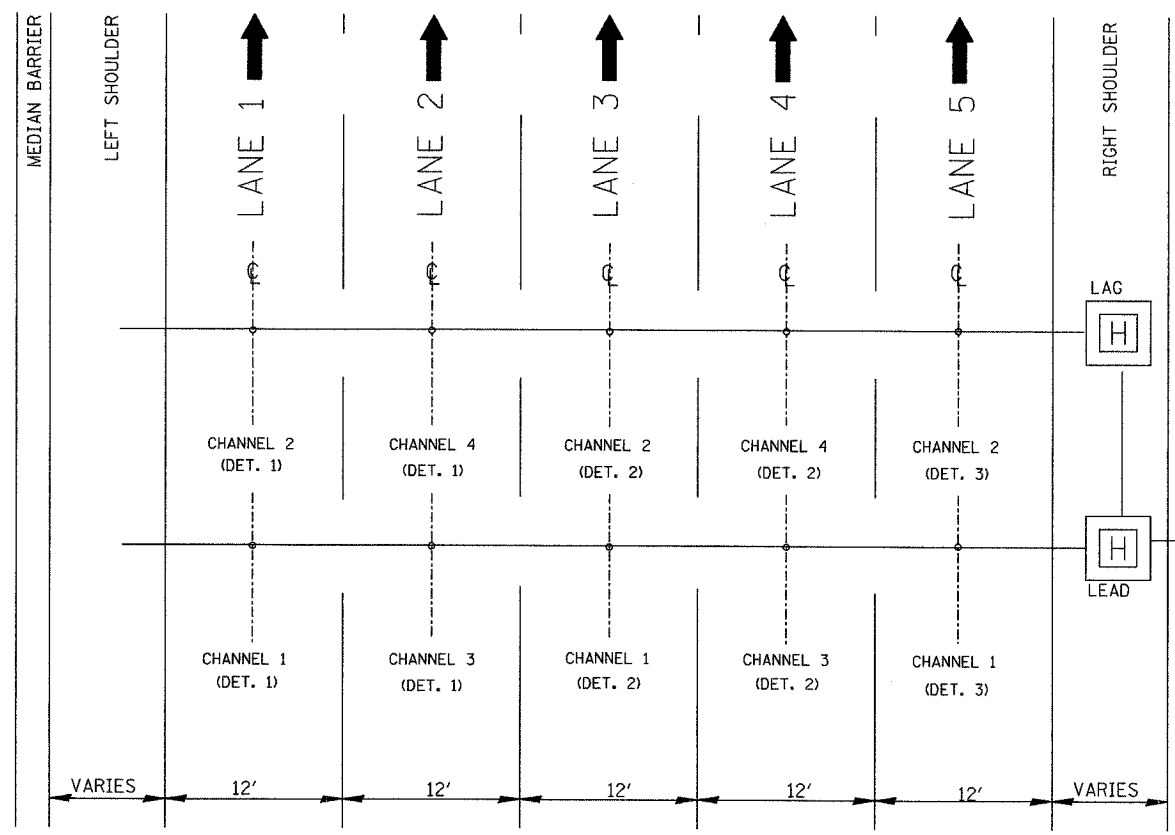
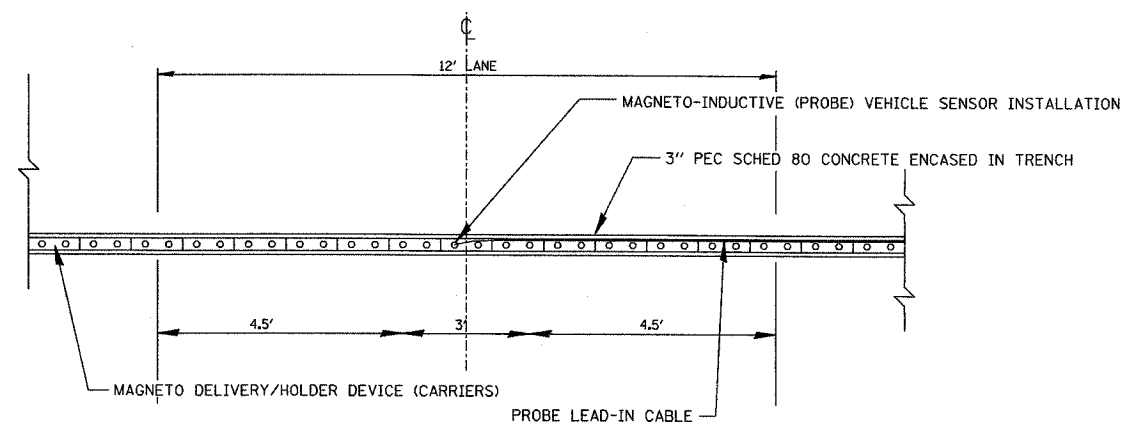


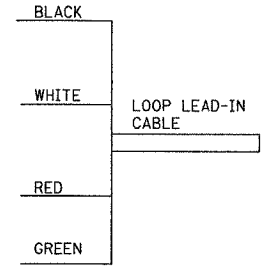
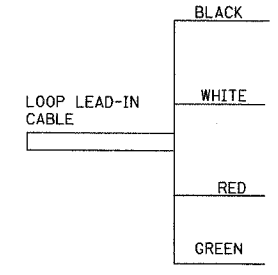
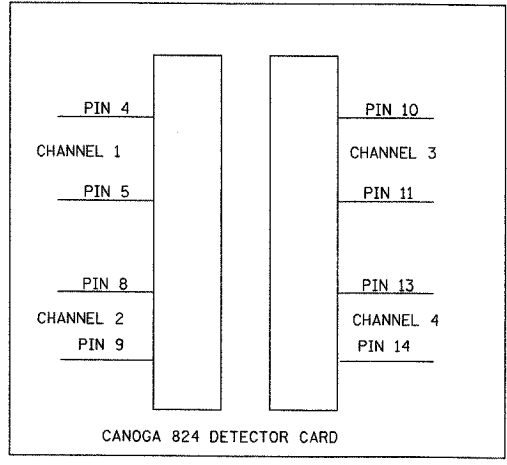
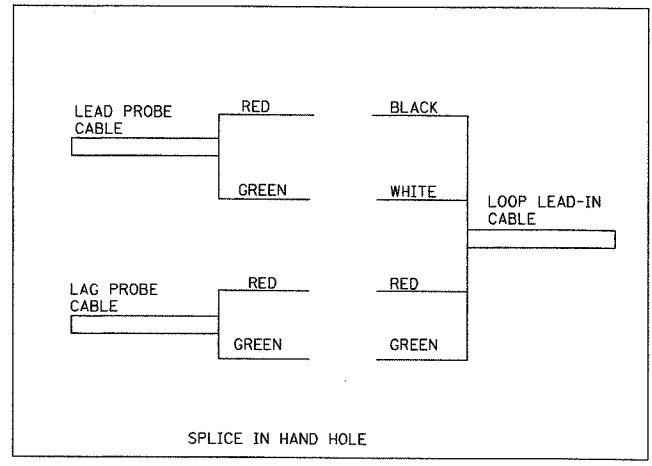
SECTION	COUNTY	TOTAL SHEETS	SHEET NO.
2003-031I	COOK	976	430
STA. TO STA.		FED. AID PROJECT	
62583		ILLINOIS	



SAMPLE PROBE CONFIGURATION



DAN RYAN TYPICAL SPEED MEASURING DETECTOR STATION  
12' WITH DUAL MAGNETO-INDUCTIVE VEHICLE SENSOR (PROBE) INSTALLATION PER LANE



**Edwards  
AND  
Kelcey**  
ONE NORTH FRANKLIN  
CHICAGO, IL 60606  
PHONE: (312) 251-3000  
FAX: (312) 251-3015  
WEB: WWW.EKCORP.COM

REVISIONS	
NAME	DATE

ILLINOIS DEPARTMENT OF TRANSPORTATION  
F.A.I. 94/90 (DAN RYAN EXPRESSWAY)  
31st STREET to I-57  
TYPICAL MULTIPLE MAGNETO-INDUCTIVE  
VEHICLE SENSOR (MICROLOOP) - FULL  
INSTALLATION/SPEED MEASURING LAYOUT  
(SHEET 2 OF 2)  
SCALE: NTS  
DATE: October 29, 2004  
DRAWN BY: NB  
CHECKED BY: CTC

10/14/2004 09:24:40 AM