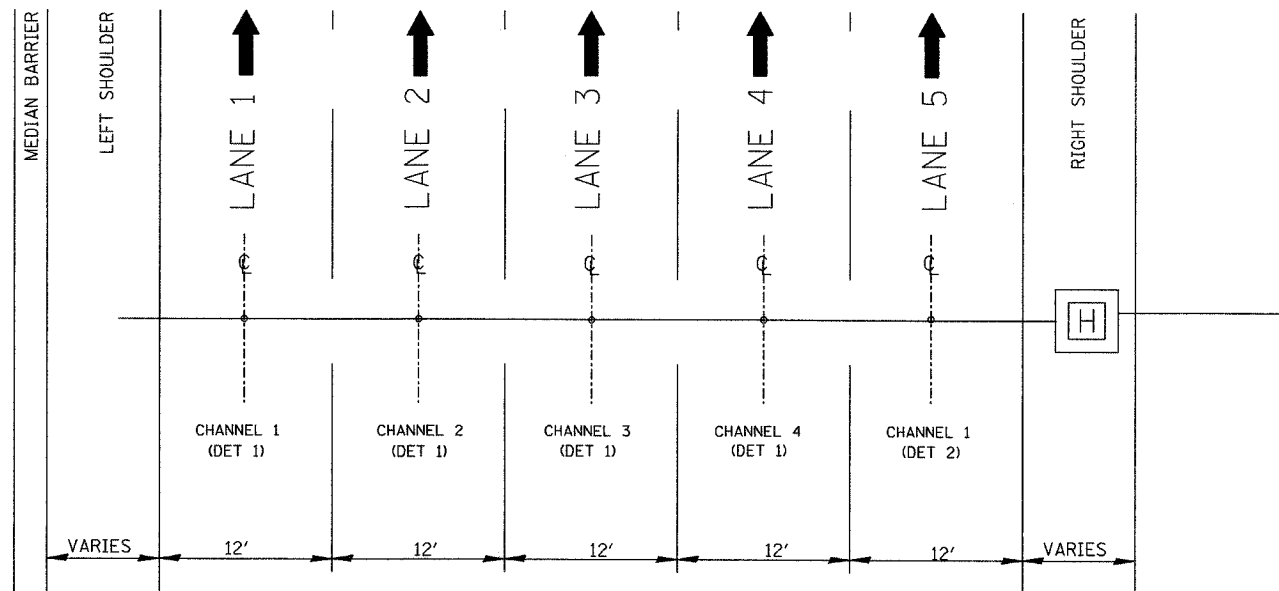
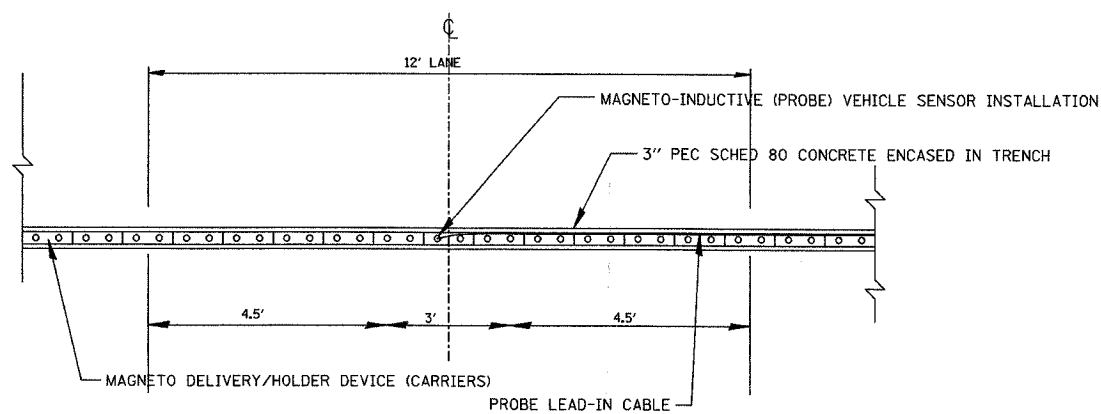
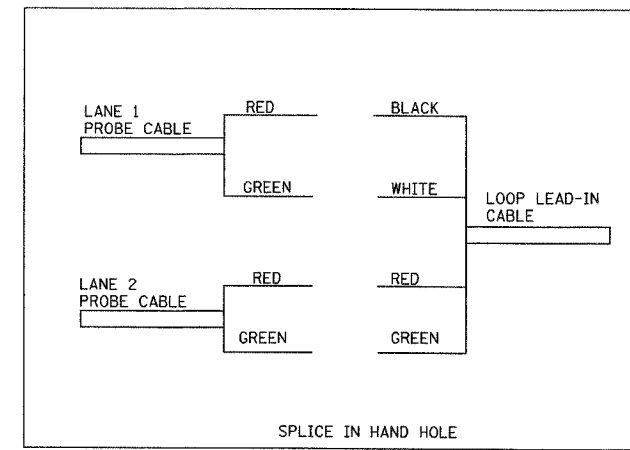


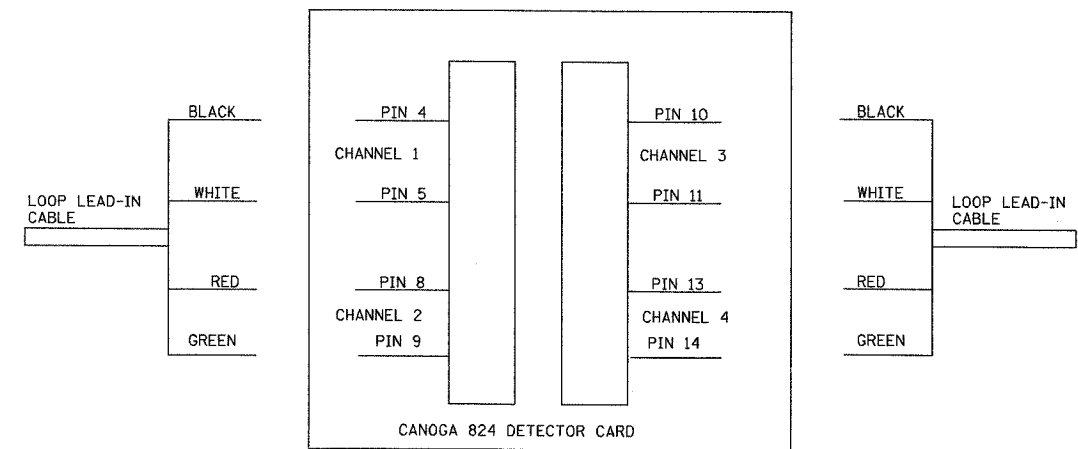
SECTION	COUNTY	TOTAL SHEETS	SHEET NO.
2003-0311	COOK	976	932
STA. TO STA.		FED. AID PROJECT	
62583		ILLINOIS	



SAMPLE PROBE CONFIGURATION



DAN RYAN TYPICAL STAND ALONE DETECTOR STATION
12' WITH SINGLE MAGNETO-INDUCTIVE VEHICLE SENSOR (PROBE) INSTALLATION PER LANE



Edwards AND Kelcey
ONE NORTH FRANKLIN
CHICAGO, IL 60606
PHONE: (312) 251-3000
FAX: (312) 251-3015
WEB: WWW.EKCORP.COM

REVISIONS	
NAME	DATE

ILLINOIS DEPARTMENT OF TRANSPORTATION
F.A.I. 94/90 (DAN RYAN EXPRESSWAY)
31st STREET to I-57
TYPICAL MULTIPLE MAGNETO-INDUCTIVE
VEHICLE SENSOR (MICROLOOP) - MAINLINE,
MULTI LANE, STANDALONE DETECTOR STATION
(SHEET 2 OF 2)
SCALE: NTS
DATE: October 29, 2004
DRAWN BY: NB
CHECKED BY: CTC

10/14/2004 09:24:11 AM