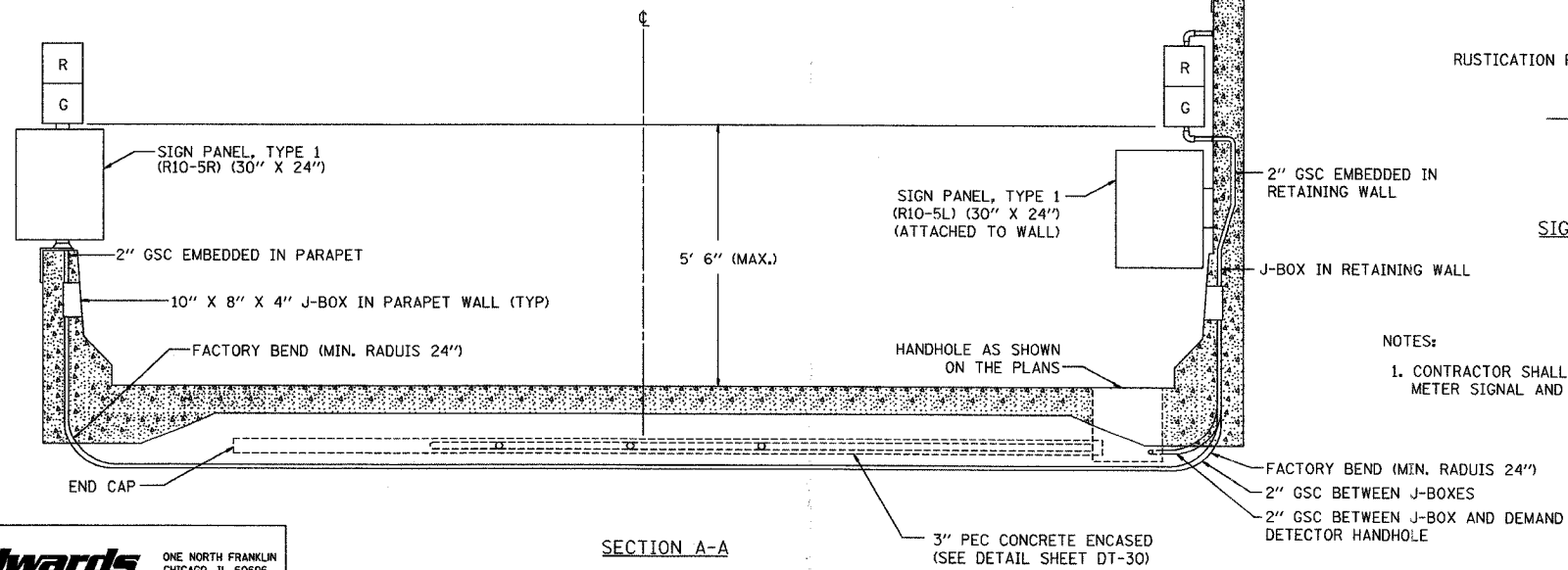
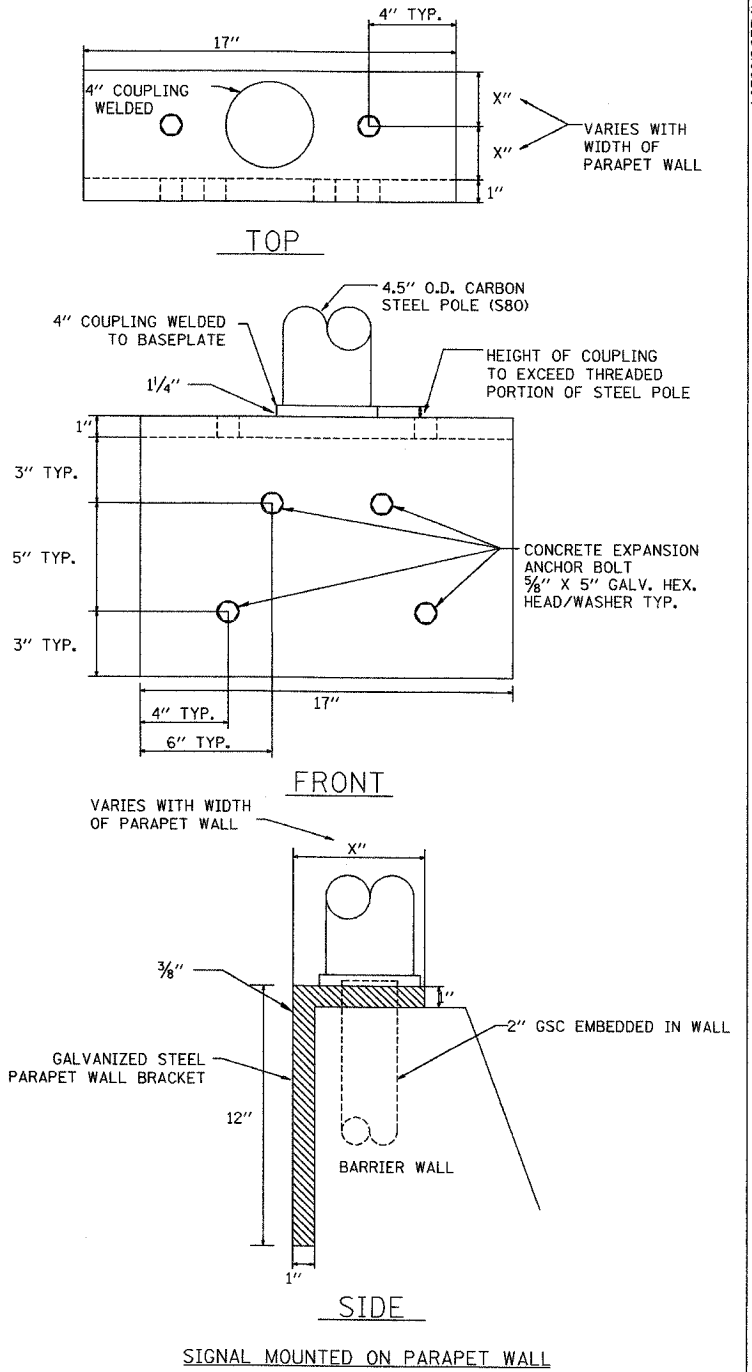
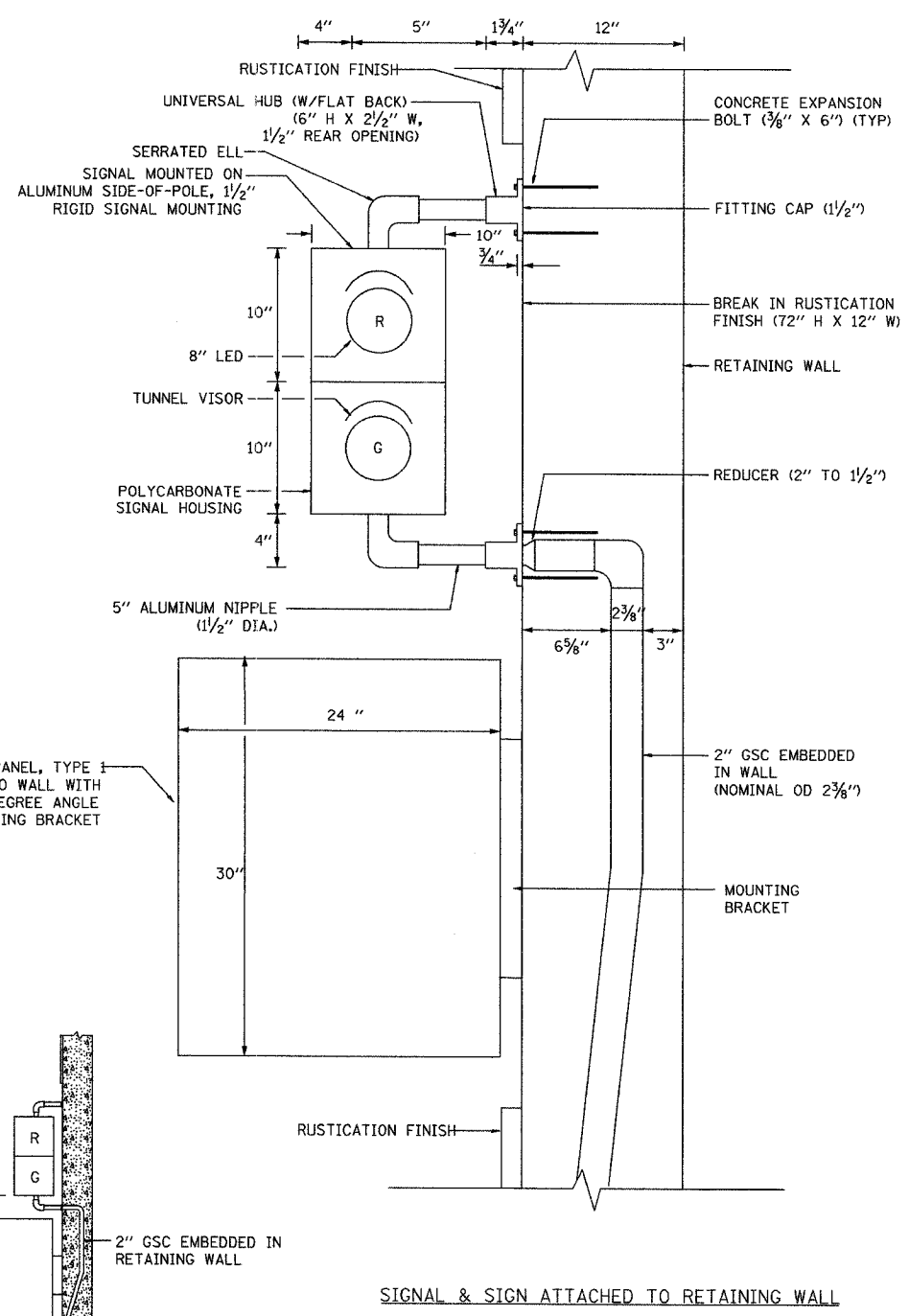
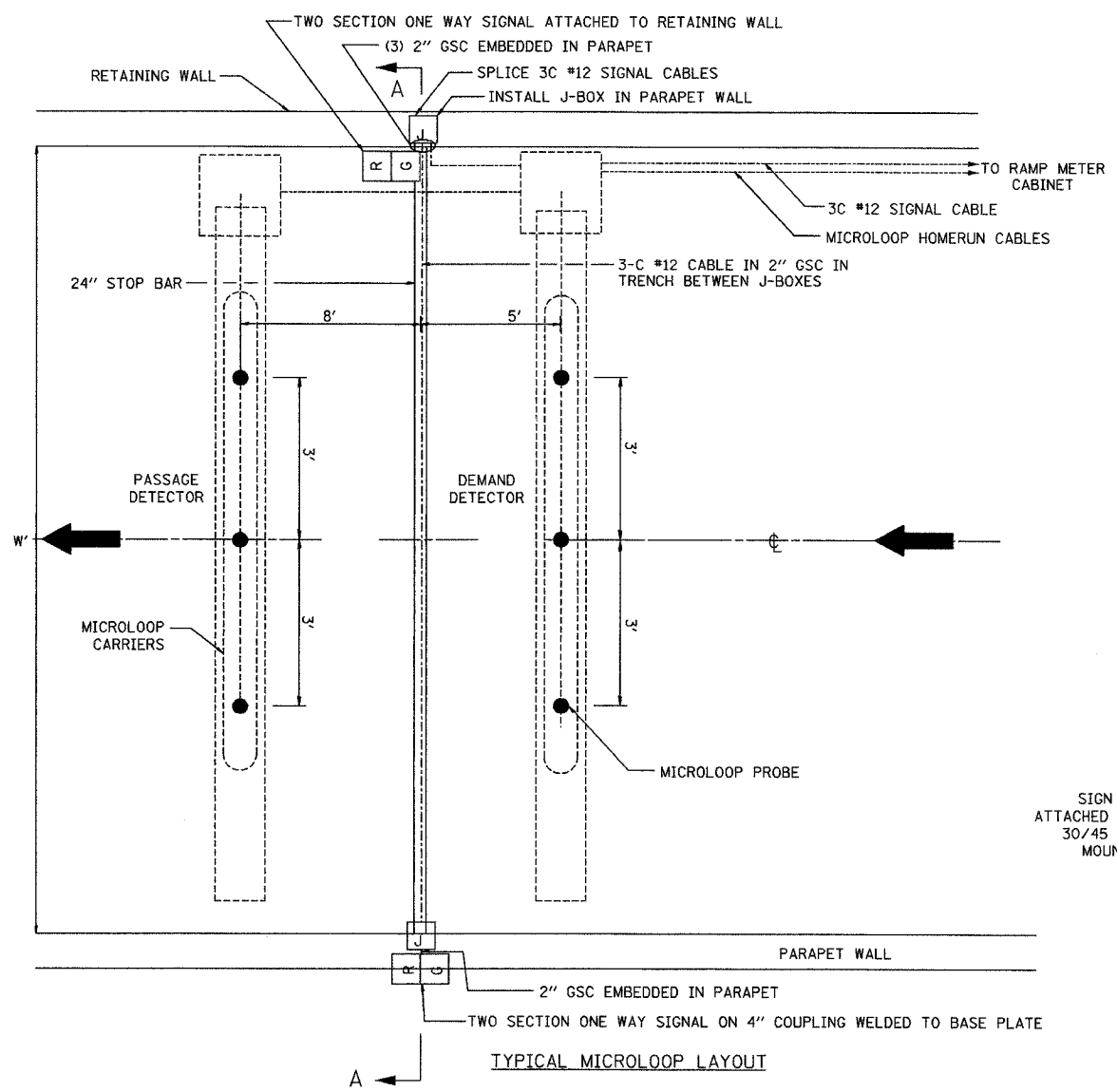


SECTION	COUNTY	TOTAL SHEETS	SHEET NO.
2003-0311	COOK	976	440
STA. TO STA.		FED. ROAD DIST. NO. ILLINOIS FED. AID PROJECT	
		62583	



NOTES:

1. CONTRACTOR SHALL SUBMIT DETAILED SHOP DRAWINGS OF THE RAMP METER SIGNAL AND SIGN MOUNTING HARDWARE FOR APPROVAL BY THE ENGINEER.

REVISIONS	
NAME	DATE

ILLINOIS DEPARTMENT OF TRANSPORTATION  
 F.A.I. 94/90 (DAN RYAN EXPRESSWAY)  
 31st STREET to I-57

TYPICAL RAMP METERING  
 TYPE III BARRIER WALL AND  
 RETAINING WALL INSTALLATION

SCALE: NTS  
 DATE: October 29, 2004

DRAWN BY: NB  
 CHECKED BY: CTC

**Edwards AND Kelcey**

ONE NORTH FRANKLIN  
 CHICAGO, IL 60606  
 PHONE: (312) 251-3000  
 FAX: (312) 251-3015  
 WEB: WWW.EKCORP.COM

10/14/2004 09:24:21 AM