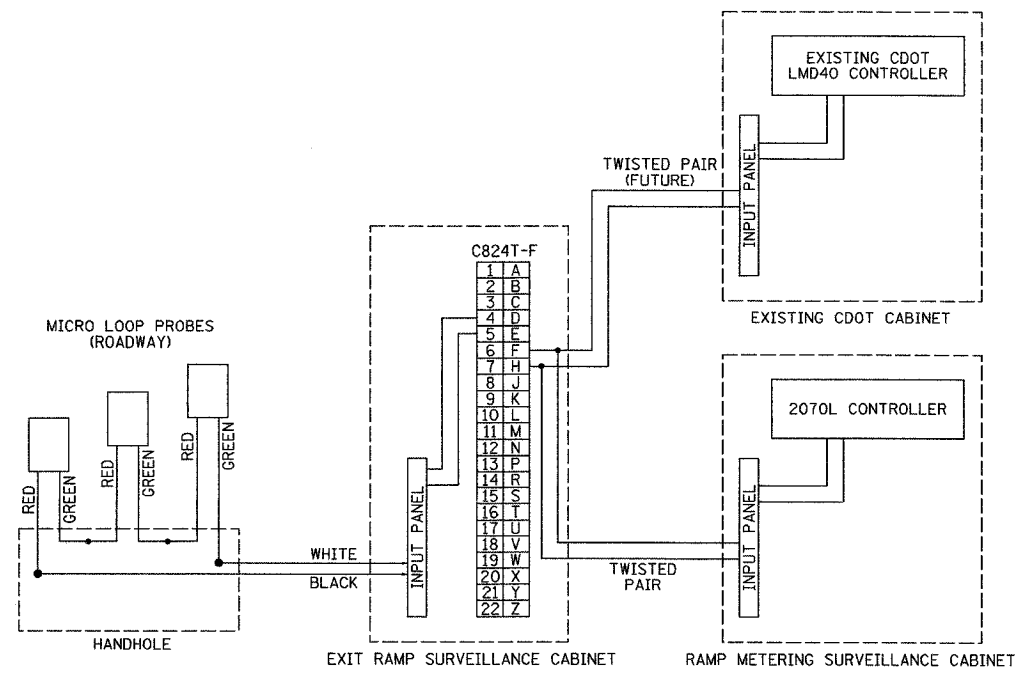
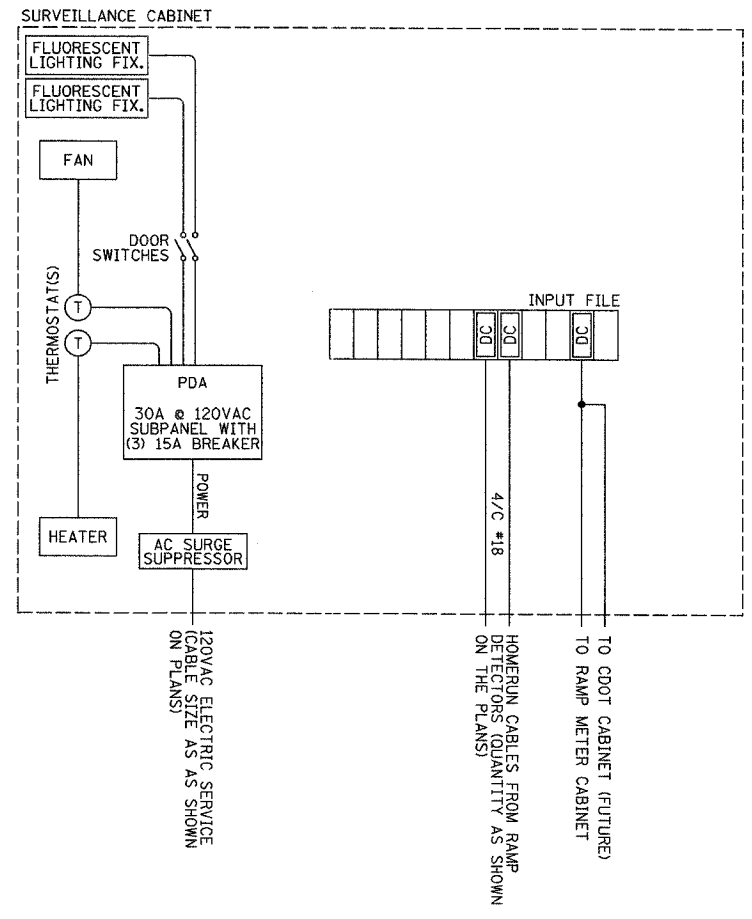


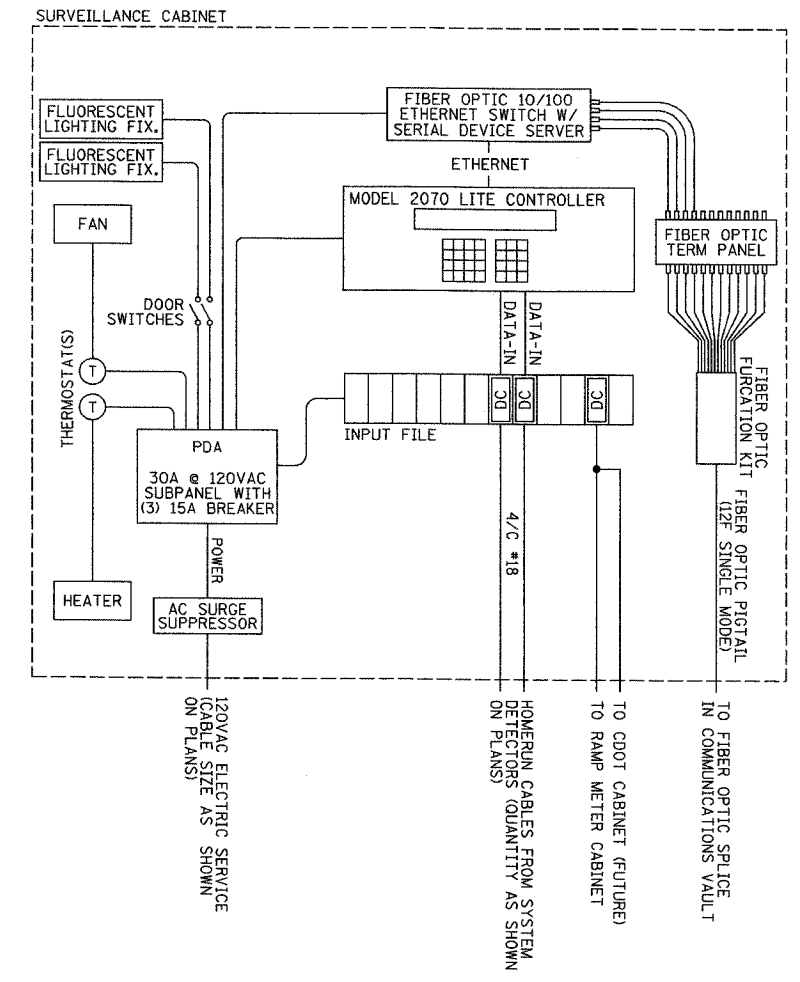
SECTION	COUNTY	TOTAL SHEETS	SHEET NO.
2003-0311	COOK	976	947
STA. TO STA.		FED. ROAD DIST. NO. ILLINOIS FED. AID PROJECT	
62583			



EXIT RAMP CONFIGURATION
NOT TO SCALE



EXIT RAMP QUEUE
LINE DIAGRAM (TYPICAL)
NOT TO SCALE



SYSTEM DETECTOR/EXIT RAMP QUEUE
SINGLE LINE DIAGRAM (TYPICAL)
NOT TO SCALE

Edwards AND Kelcey
ONE NORTH FRANKLIN
CHICAGO, IL 60606
PHONE: (312) 251-3000
FAX: (312) 251-3015
WEB: WWW.EKCORP.COM

ABBREVIATIONS
DC - DETECTOR CARD
LS - LOAD SWITCH
SSF - SOLID STATE FLASHER

REVISIONS	
NAME	DATE

ILLINOIS DEPARTMENT OF TRANSPORTATION
F.A.I. 94/90 (DAN RYAN EXPRESSWAY)
31st STREET to I-57
CABINET, MODEL 334 - WIRING DETAILS
AND SCHEMATIC (SHEET 2 OF 3)
SCALE: NOT TO SCALE
DATE: October 29, 2004
DRAWN BY: DHI
CHECKED BY: JEZ

DT-40

PA03001910315 VIS 000010202828-51 10/14/2004 09:24:30 AM