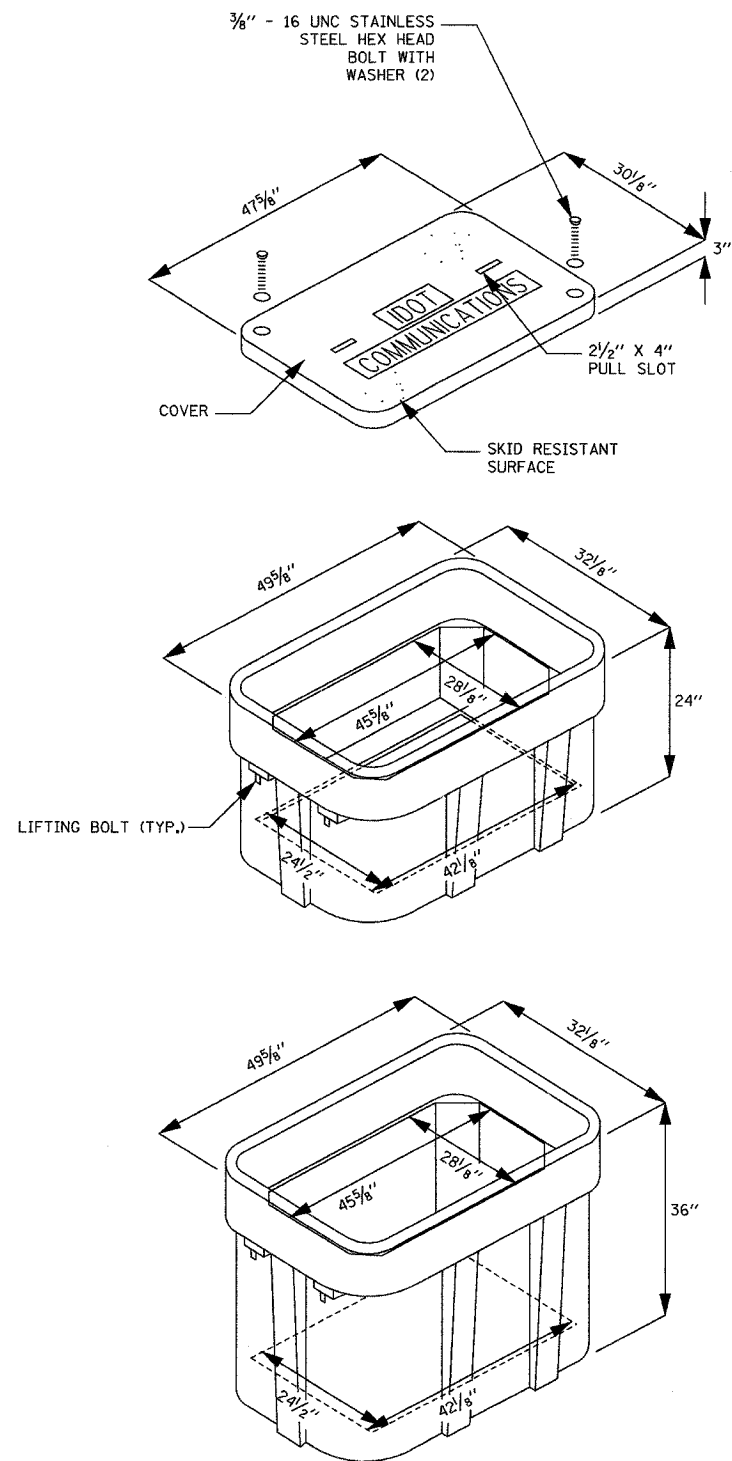
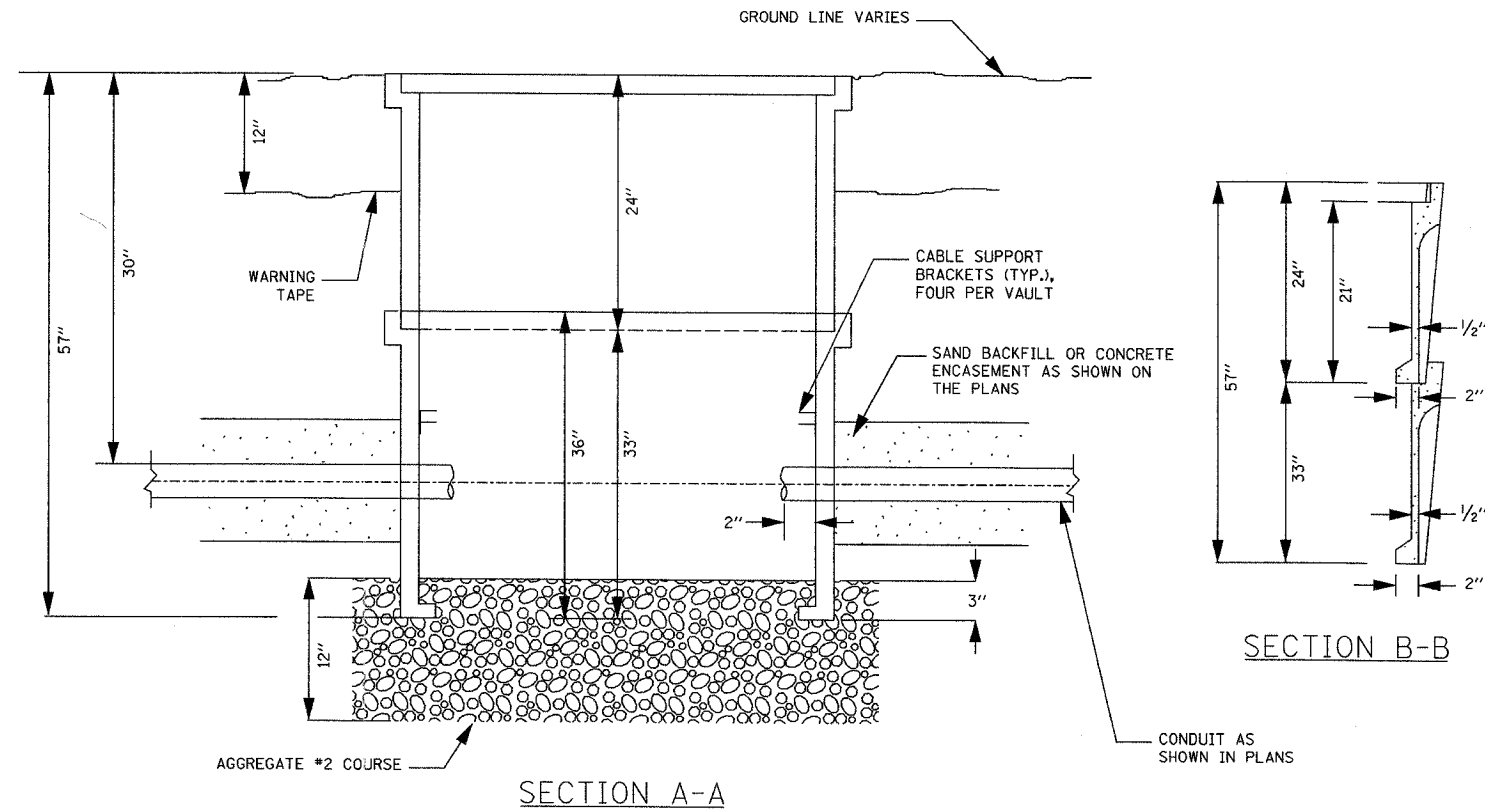


SECTION	COUNTY	TOTAL SHEETS	SHEET NO.
	COOK		451
STA.	TO STA. 62583		
FED. ROAD DIST. NO.	ILLINOIS FED. AID PROJECT		

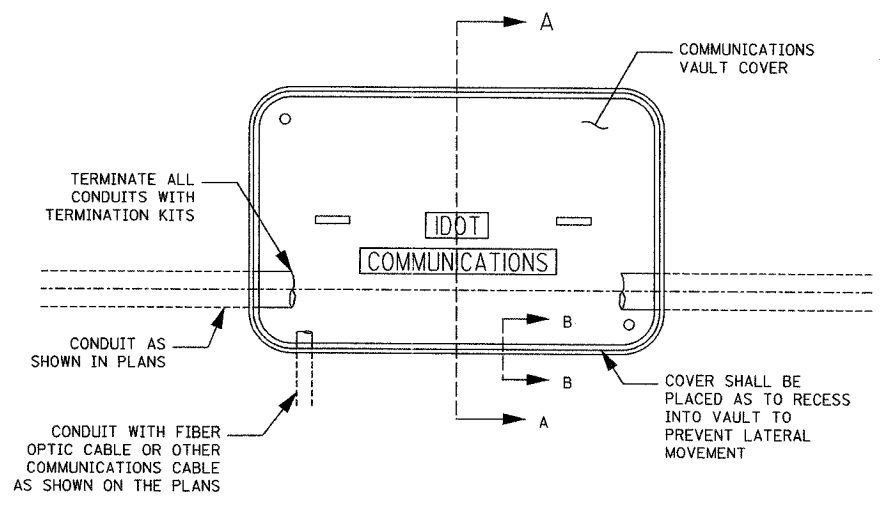


ISOMETRIC



SECTION A-A

SECTION B-B



PLAN

- NOTES:
1. BOX SHALL HAVE AN OPEN BASE.
 2. COVER SHALL WITHSTAND AASHTO H 20 LOADING AND SHALL LOCK.
 3. ALL OPENINGS IN STRUCTURE MUST BE MACHINED AT TIME OF FABRICATION OR PUNCH DRIVEN AT TIME OF PLACEMENT.
 4. FIELD PLACEMENT OF COMMUNICATIONS VAULT SHALL BE AS DIRECTED BY THE ENGINEER.

Edwards AND Kelcey
 ONE NORTH FRANKLIN
 CHICAGO, IL 60606
 PHONE: (312) 251-3000
 FAX: (312) 251-3015
 WEB: WWW.EKCORP.COM

REVISIONS	
NAME	DATE

DT-44
 ILLINOIS DEPARTMENT OF TRANSPORTATION
 F.A.I. 94/90 (DAN RYAN EXPRESSWAY)
 31st STREET TO I-57
 COMMUNICATIONS VAULT DETAIL
 (HANDHOLE TYPE C1)
 SCALE: NTS
 DATE: October 29, 2004
 DRAWN BY: MJL
 CHECKED BY: GFR

P:\030015035\115\115.dwg 07/15/2004 03:02:26 PM