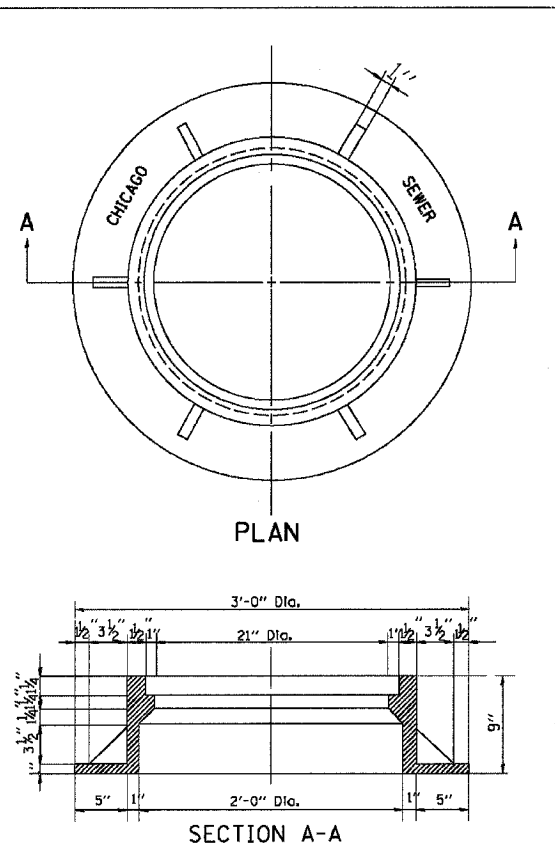
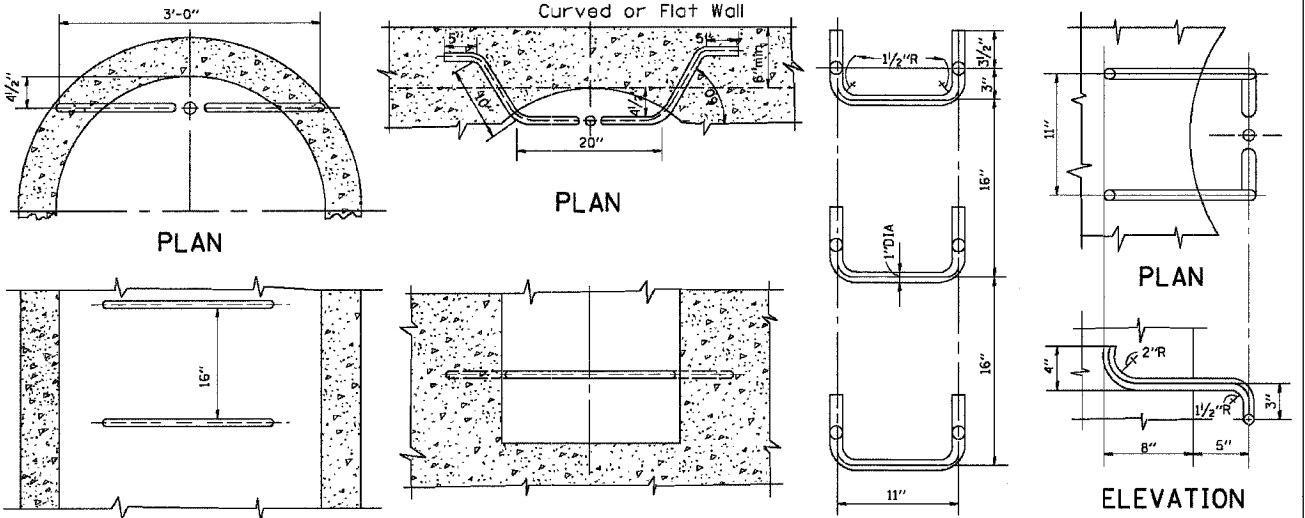
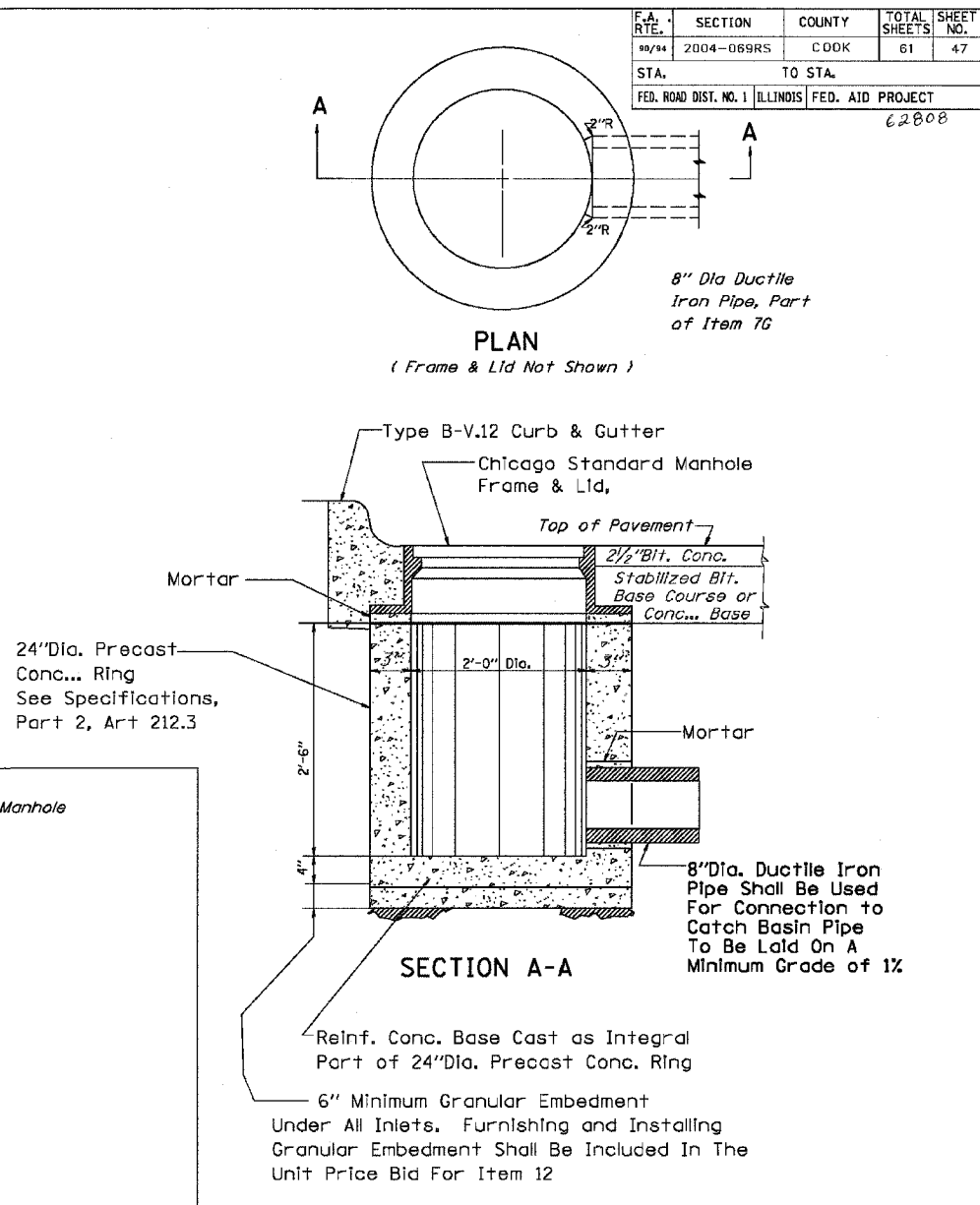
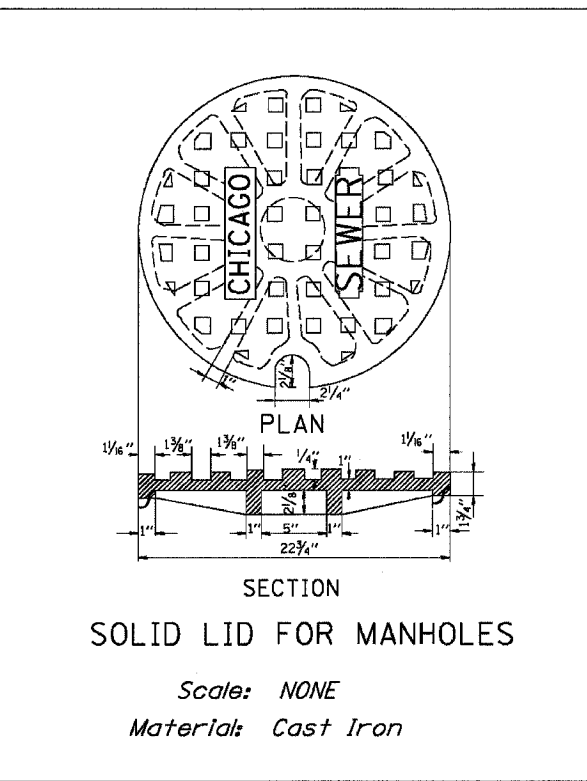
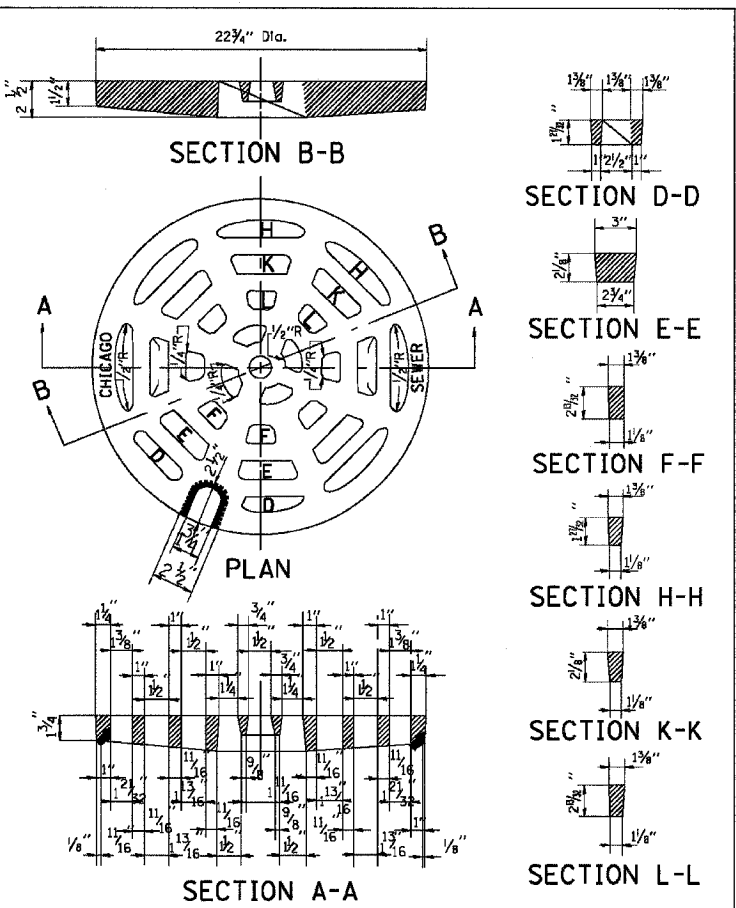


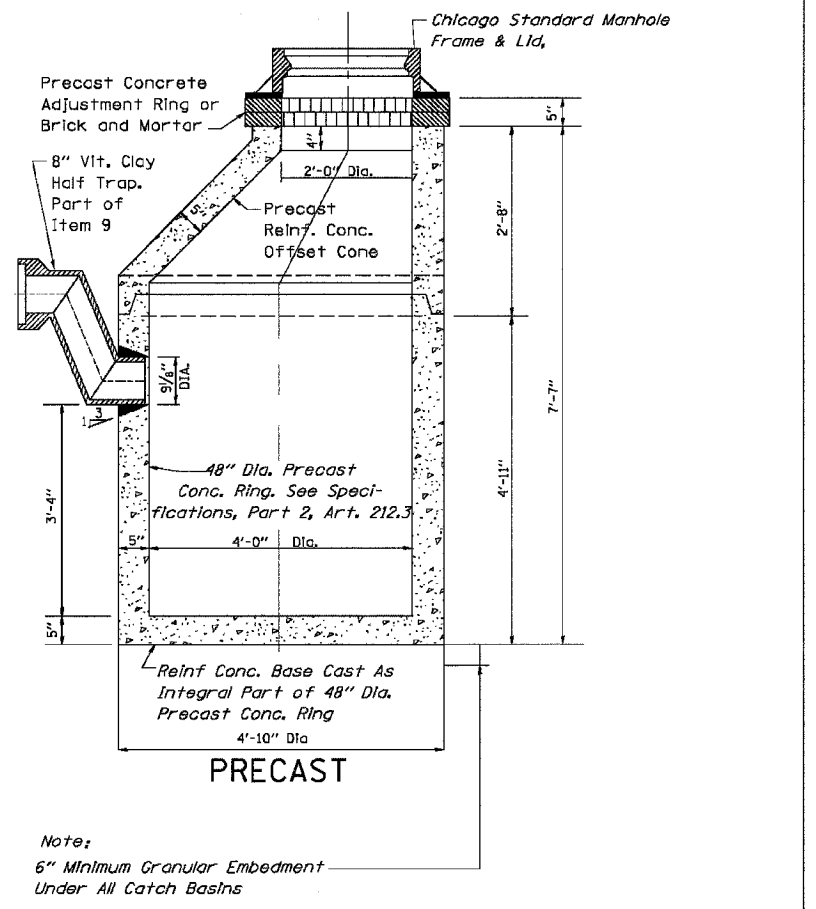
F.A. RTE.	SECTION	COUNTY	TOTAL SHEETS	SHEET NO.
89/94	2004-069RS	COOK	61	47
STA.		TO STA.		
FED. ROAD DIST. NO. 1		ILLINOIS FED. AID PROJECT		
62808				



NOTE: Metal Plates Must Be Furnished For Perforated Lids On Manholes



All Ladder Rungs Shall Be Aluminum or Galvanized Wrought Iron As Specified in Specifications, Part 2, Article 214.2. Rungs Shall Be 1" Diameter or of A Shape Having An Equivalent Cross-Sectional Area



REVISIONS	
NAME	DATE
M. GOMEZ	01/25/01

CITY OF CHICAGO  
DEPARTMENT OF SEWERS  
ENGINEERING DIVISION

ILLINOIS DEPARTMENT OF TRANSPORTATION  
CITY OF CHICAGO  
CATCH BASIN, INLET AND  
MANHOLE DETAILS

SCALE: VERT. 1"=1'-0"  
HORIZ. 1"=1'-0"  
DATE 10/18/2002

DRAWN BY  
CHECKED BY  
BD600-13 (BD47)  
REVISION DATE: 01/25/01

\*DATE-TIME\*  
\*DGN-SPEC\*  
\*V1-BD47\*