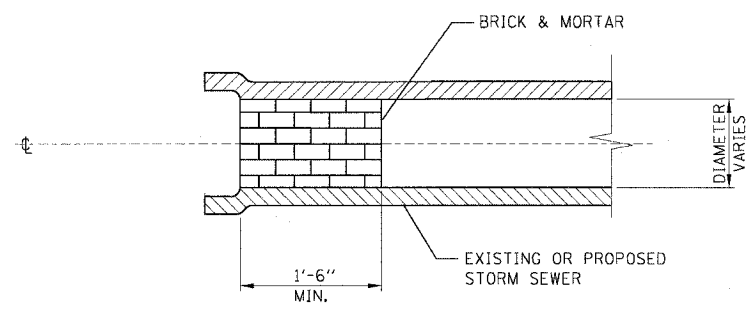


NOTE:
 IF THE ADJUSTMENT EXCEEDS A 24" HEIGHT THE CONE MUST BE REMOVED AND THE BARREL SECTION HAS TO BE ADJUSTED. THIS WORK SHALL BE PAID FOR UNDER ADDITIONAL MASONRY ITEM.

DETAIL OF TYPE I FRAME ADJUSTMENT



STORM SEWER PLUG

NOTES:

- THIS WORK CONSISTS OF FURNISHING AND PLACING BRICKS AND MORTAR AS SHOWN AND AS DIRECTED BY THE ENGINEER AT LOCATIONS SHOWN IN THE PLANS TO PLUG STORM SEWERS.
- THIS WORK SHALL BE INCLUDED IN THE CONTRACT UNIT PRICE BID FOR THE STORM SEWER ITEMS.

REVISIONS	
NAME	DATE

m:\p\40465\CW\1\4-cm\19-adj-1.dwg 12/17/2004 10:35:38 AM