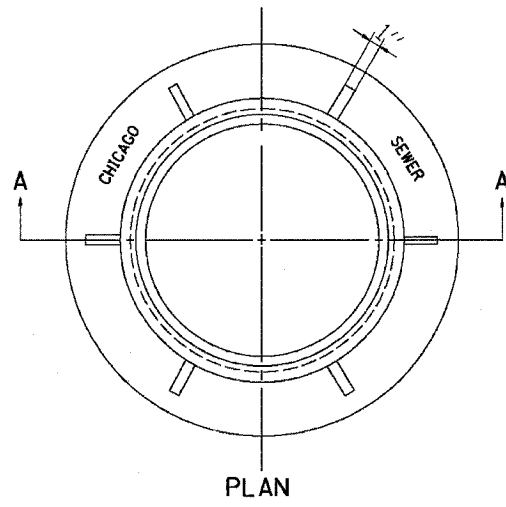
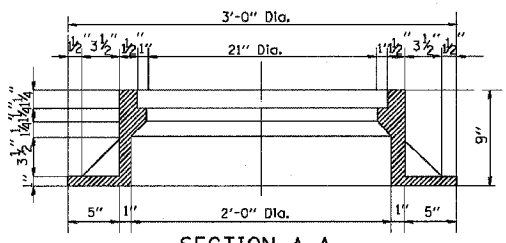


F.A. RY. NO. 80/84	SECTION 2004-072RS	COUNTY COOK	TOTAL SHEETS 54	SHEET NO. 42
STA.		TO STA.		
FED. ROAD DIST. NO. 1 ILLINOIS FED. AID PROJECT				

62811



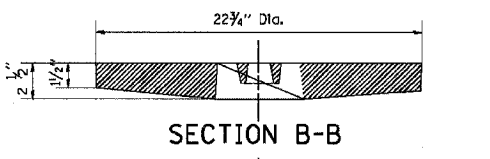
PLAN



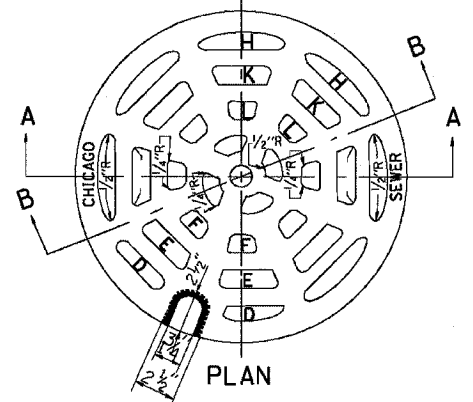
SECTION A-A

NOTE: Metal Plates Must Be Furnished For Perforated Lids On Manholes

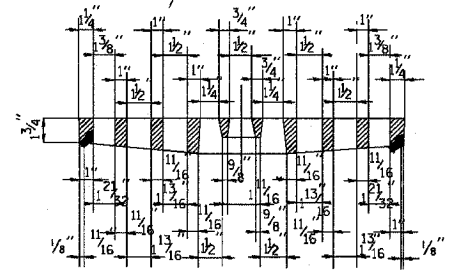
CHICAGO STANDARD MANHOLE FRAME
Scale: 1/2"=1'-0"
Material: Cast Iron



SECTION B-B



PLAN



SECTION A-A

PERFORATED LID FOR CATCH BASINS & MANHOLES
Scale: 2"=1'-0"
Material: Cast Iron

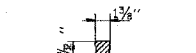
SECTION D-D



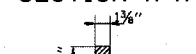
SECTION E-E



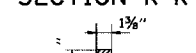
SECTION F-F



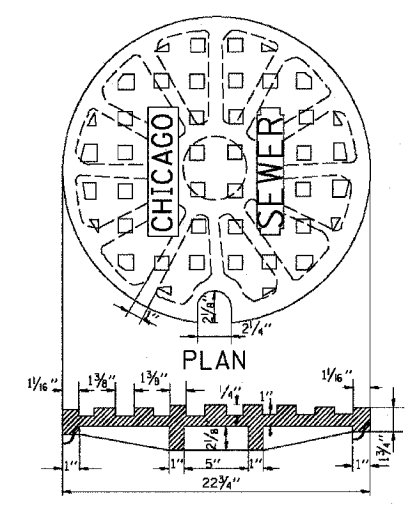
SECTION H-H



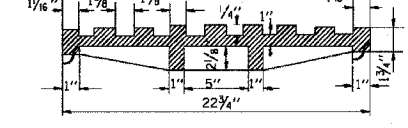
SECTION K-K



SECTION L-L

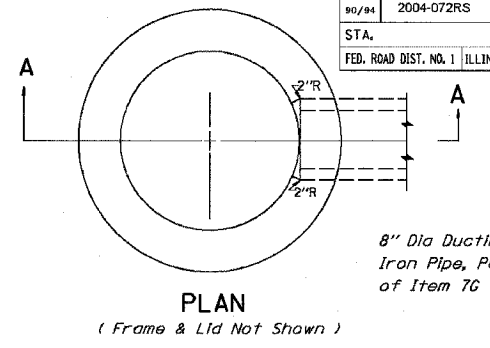


PLAN



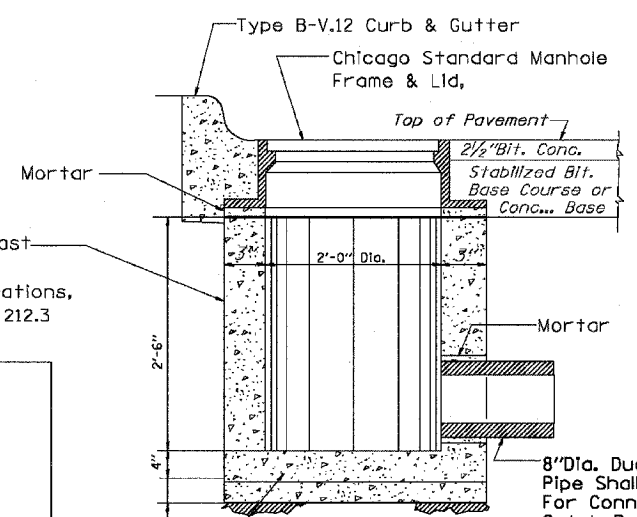
SECTION

SOLID LID FOR MANHOLES
Scale: NONE
Material: Cast Iron



PLAN
(Frame & Lid Not Shown)

8" Dia Ductile Iron Pipe, Part of Item 7C



SECTION A-A

8" Dia. Ductile Iron Pipe Shall Be Used For Connection to Catch Basin Pipe To Be Laid On A Minimum Grade of 1%

Reinf. Conc. Base Cast as Integral Part of 24" Dia. Precast Conc. Ring

6" Minimum Granular Embedment Under All Inlets. Furnishing and Installing Granular Embedment Shall Be Included In The Unit Price Bid For Item 12

STANDARD INLETS
Scale 1"=1'-0"
Item 12

This Inlet Detail Is Sometimes Referred To As "Chicago Standard Inlet, Type A"

NOTE:
INLETS SHALL NOT BE CONSTRUCTED UNLESS IT IS IMPOSSIBLE TO CONSTRUCT A CATCH BASIN. THE CONTRACTOR SHALL HAVE THE DEPARTMENT OF SEWERS APPROVAL BEFORE CONSTRUCTING INLETS

REVISIONS	
NAME	DATE
M. GOMEZ	01/25/01

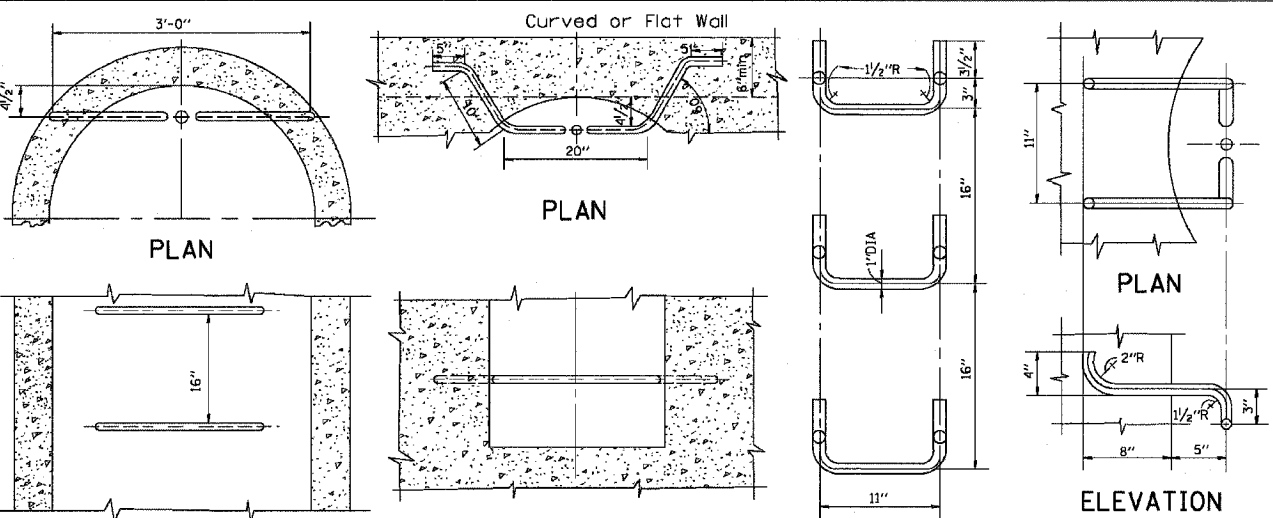
CITY OF CHICAGO
DEPARTMENT OF SEWERS
ENGINEERING DIVISION

ILLINOIS DEPARTMENT OF TRANSPORTATION

CITY OF CHICAGO
CATCH BASIN, INLET AND
MANHOLE DETAILS

SCALE: VERT. DATE 10/18/2002
HORIZ.

DRAWN BY
CHECKED BY
BD600-13 (BD47)
REVISION DATE: 01/25/01



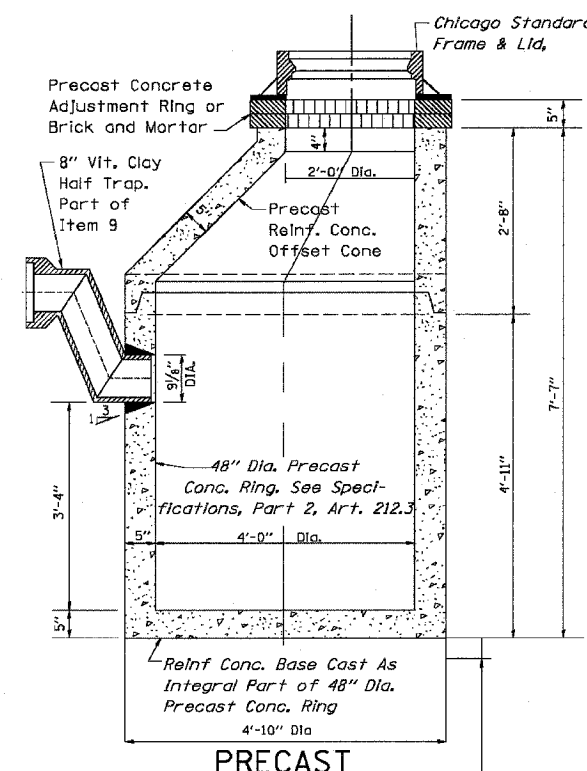
ELEVATION TYPE X
Scale: 1"=1'-0"

ELEVATION TYPE Y
Scale: 1"=1'-0"

SPACING HANDHOLD-TYPE Z RUNG
Scale: 1/2"=1'-0"

STANDARD LADDER RUNGS

All Ladder Rungs Shall Be Aluminum or Galvanized Wrought Iron As Specified In Specifications, Part 2, Article 214.2. Rungs Shall Be 1" Diameter or of A Shape Having An Equivalent Cross-Sectional Area



PRECAST

NOTE:
6" Minimum Granular Embedment Under All Catch Basins

STANDARD CATCH BASINS
Scale: 3/4"=1'-0"
Item 9

*DATE-TIME
*DGN-SPEC
*V-BD47