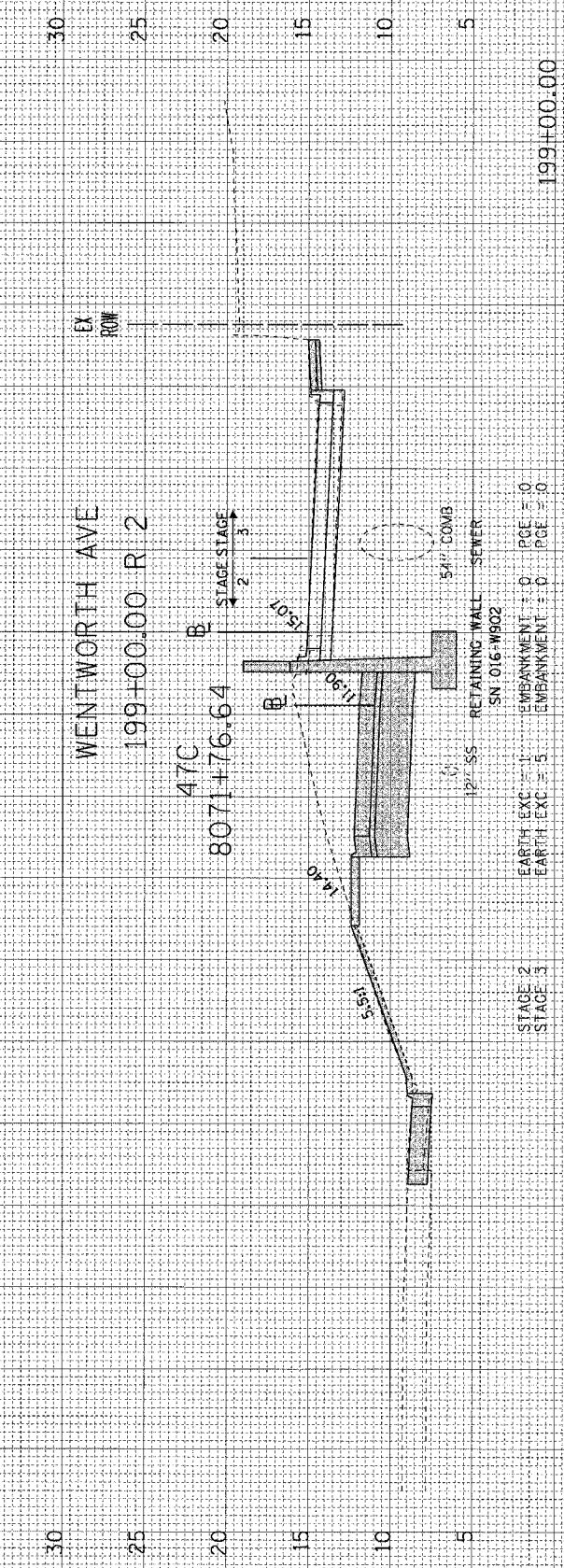
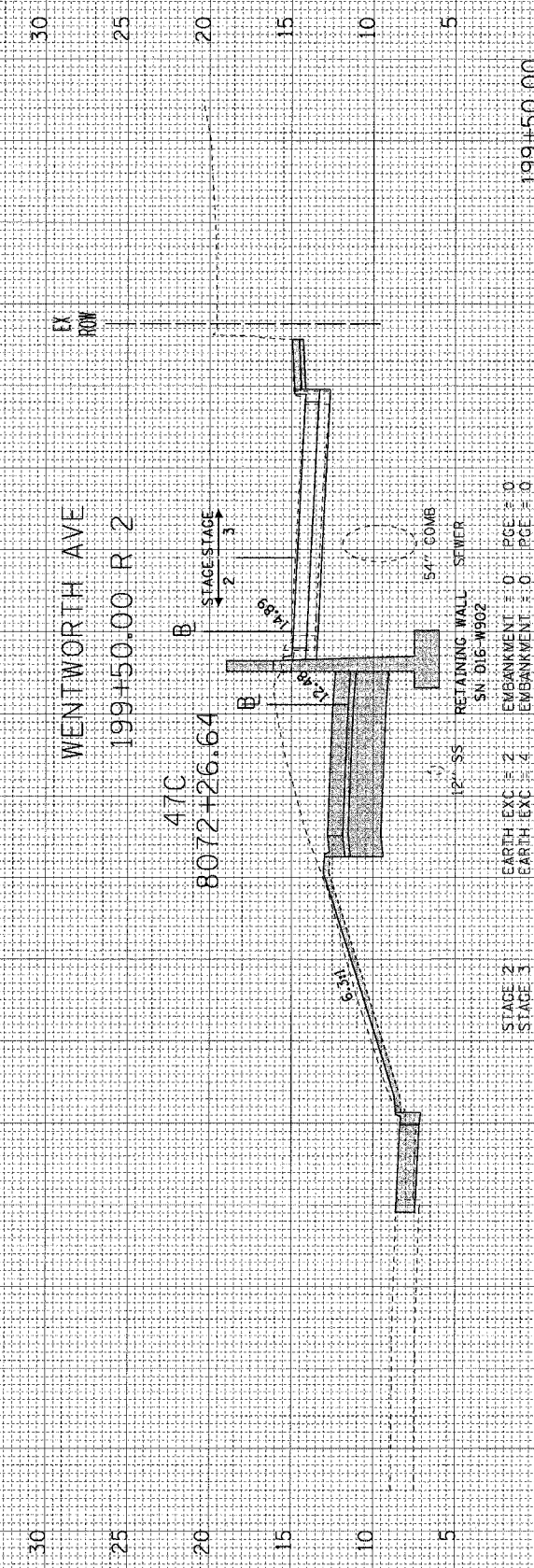
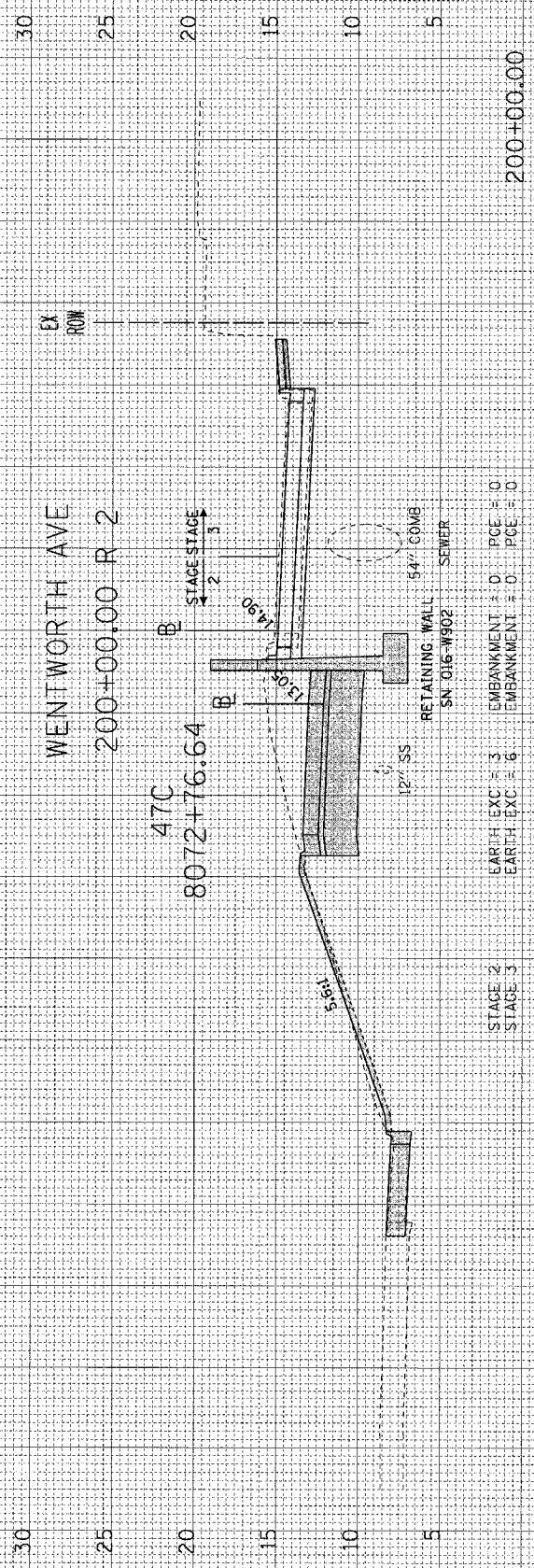


FINAL SURVEY BY DATE
 SURVEYED BY DATE
 FLOTTED BY DATE
 NOTE BOOK NO.
 AREAS CHECKED

ORIGINAL SURVEY BY DATE
 SURVEYED BY DATE
 FLOTTED BY DATE
 NOTE BOOK NO.
 AREAS CHECKED

F.A.I. R.T.E.	SECTION	COUNTY	TOTAL SHEETS	SHEET NO.
90/94	2004-072RS	COOK	54	54
62811				
FED. ROAD DIST. NO. 1 ILLINOIS FED. AID PROJECT				



WORK TO BE DONE BY OTHERS
 PGE