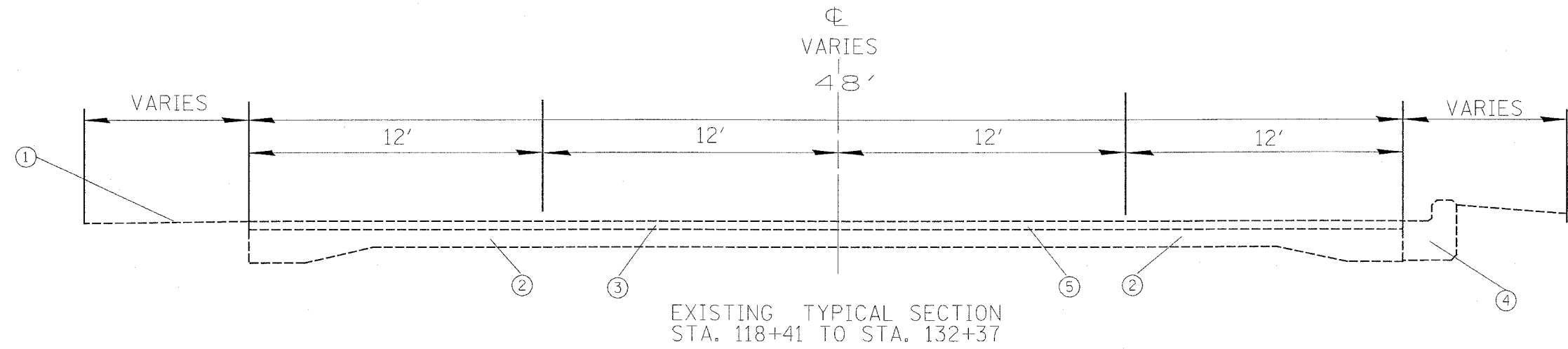


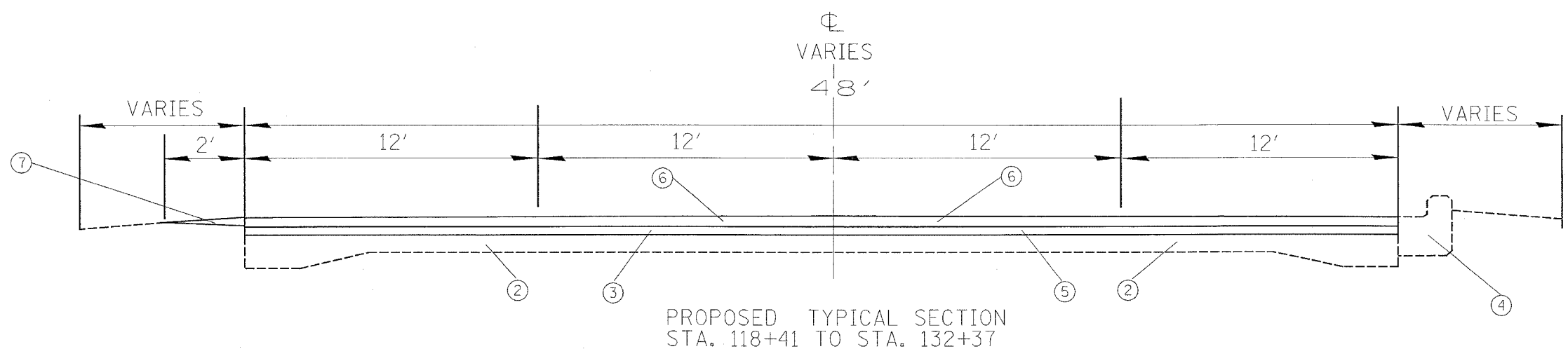
REF-
REF-
REF-

F.A.U. RTE.	SECTION	COUNTY	TOTAL SHEETS	SHEET NO.
1579	3095 RS-2	COOK	14	5

CONTRACT NO. 62822



EXISTING TYPICAL SECTION
STA. 118+41 TO STA. 132+37



PROPOSED TYPICAL SECTION
STA. 118+41 TO STA. 132+37

LEGEND

- ① EXISTING GRAVEL SHOULDER - VARIES
- ② EXISTING 9" PCC BASE COURSE -VARIES
- ③ EXISTING BITUMINIOUS SURFACE 2"
- ④ EXISTING CURB & GUTTER (AS SHOWN ON PLAN SHEETS)
- ⑤ PROPOSED 3/4" LEVELING BINDER
- ⑥ PROPOSED BITUMINIOUS SURFACE COURSE 1 1/2"
- ⑦ PROPOSED AGGREGATE SHOULDER, TYPE B

REVISIONS	
NAME	DATE

ILLINOIS DEPARTMENT OF TRANSPORTATION
**107th ST.
TYPICAL SECTIONS**
SCALE: NONE
DATE: FEB 10, 2004
DRAWN BY: T. FARMER
CHECKED BY: