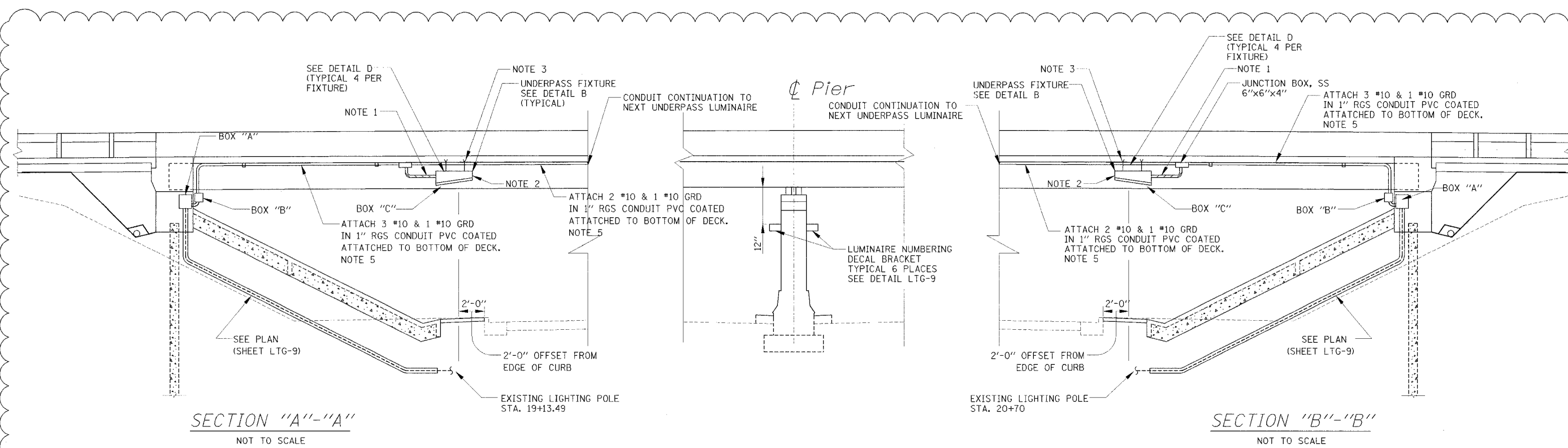


|                |             |           |        |              |           |
|----------------|-------------|-----------|--------|--------------|-----------|
| CONTRACT 62829 | F.A.P. RTE. | SECTION   | COUNTY | TOTAL SHEETS | SHEET NO. |
|                | 305         | 2004-088B | COOK   | 145          | 52        |
|                | STA.        | TO STA.   |        |              |           |



- NOTES:**
- LIQUID TIGHT FLEXIBLE METAL CONDUIT, MAXIMUM LENGTH 6'-0". TYPICAL FOR EACH INSTANCE AS SHOWN. PROVIDE PVC COATED RIGID GALVANIZED STEEL CONDUIT AS REQUIRED NOT TO EXCEED 6'-0" OF FLEXIBLE LIQUID TIGHT METAL CONDUIT. LIQUID TIGHT FLEXIBLE METAL CONDUIT WILL BE INCLUDED IN THE COST OF THE CONDUIT ATTACHED TO STRUCTURE, OF THE CORRESPONDING DIA., GALVANIZED STEEL, PVC COATED PAY ITEM EXCEPT THAT 3/4" DIA. CONDUIT AND 1/2" DIA. FLEXIBLE CONDUIT SHALL BE INCLUDED IN THE COST OF UNDERPASS LUMINAIRE INSTALLATION.
  - SEE UNDERPASS LIGHTING PLANS FOR INSTALLATION LOCATION OF UNDERPASS LIGHTING LUMINAIRES.
  - THE CONTRACTOR SHALL USE APPROVED SINGLE COIL FLARED LOOP INSERTS WHEN SUSPENDED MOUNTING AN UNDERPASS LUMINAIRE TO A NEW BRIDGE DECK. THE FLARED LOOP INSERTS MUST BE CAST INTO THE CONCRETE DECK. THE CONTRACTOR IS RESPONSIBLE FOR LOCATING AND COORDINATING THE INSERT LOCATIONS FOR MOUNTING THE UNDERPASS LIGHTING SYSTEM AS SHOWN ON THE PLANS WITH THE BRIDGE DECK CONTRACTOR. SEE DETAIL.
  - THE UNDERPASS LUMINAIRE HANGER ASSEMBLY COMPLETE WITH HEAVY DUTY ANCHORS/INSERTS AND ALL APPLICABLE HARDWARE SHALL BE INCLUDED IN THE COST OF THE UNDERPASS LUMINAIRE PAY ITEM.
  - SECURE THE CONDUIT WITH PVC COATED CONDUIT CLAMPS OR CONDUIT BEAM CLAMPS AS SHOWN AT 5'-0" INTERVALS FOR LATERALS AND WITHIN 2'-0" MAXIMUM FROM ANY JUNCTION BOX, FLEXIBLE CONDUIT, OR CHANGE IN DIRECTION. ALL PVC COATED CONDUIT CLAMPS OR BEAM CLAMPS SHALL BE INCLUDED WITH THE COST OF THE "CONDUIT ATTACHED TO STRUCTURE, OF THE CORRESPONDING DIA., GALVANIZED STEEL, PVC COATED" PAY ITEM.
  - ALL UNDERPASS LUMINAIRES MUST BE CENTERED IN THE BEAM SPACE AS INDICATED ON THE PLANS UNLESS OTHERWISE DIRECTED BY THE ENGINEER. LUMINAIRE SETBACK SHALL BE AS INDICATED IN PLANS FOR EACH SPECIFIC UNDERPASS.
  - ~~THE CONCRETE ENCASED CONDUIT TRANSITION SHALL BE INCLUDED IN THE COST OF THE GALVANIZED RIGID STEEL CONDUIT PAY ITEMS. NOT USED~~
  - ALL CONDUIT ATTACHED TO STRUCTURE SHALL BE PVC COATED RIGID STEEL CONDUIT (PVCC RGC) TYPICAL.
  - UNDERPASS LIGHTING TO BE IDENTIFIED BY DEPARTMENTS STANDARD LUMINAIRE DECALS.

**NOTE:**  
1. UNDERPASS LIGHTING TO BE IDENTIFIED BY DEPARTMENTS STANDARD LUMINAIRES DECALS

|            |         |   |            |
|------------|---------|---|------------|
|            |         | ILLINOIS DEPARTMENT OF TRANSPORTATION                                   |            |
|            |         | WILLOW ROAD AND MILWAUKEE AVE UNDERPASS LIGHT MOUNTING DETAILS          |            |
| REVISIONS  |         | WILLOW ROAD OVER US 45/IL 21 (MILWAUKEE AVE) AND OVER DES PLAINES RIVER |            |
| NAME       | DATE    | SCALE   | DRAWN BY   |
| ADDENDUM 1 | 2/22/05 | NOT TO SCALE  | CADD       |
|            |         | DATE  | CHECKED BY |
|            |         | JANUARY 2005  |            |

LTG-8

02/22/2005 03:35:11 PM