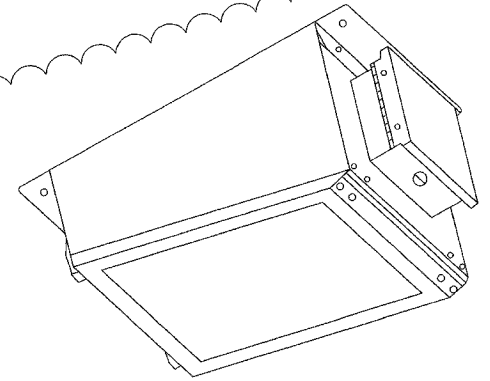
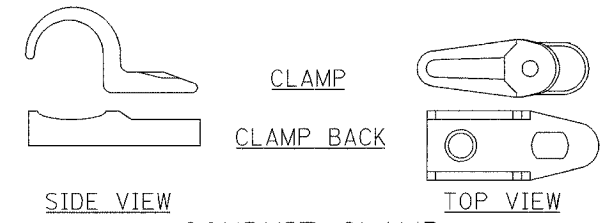


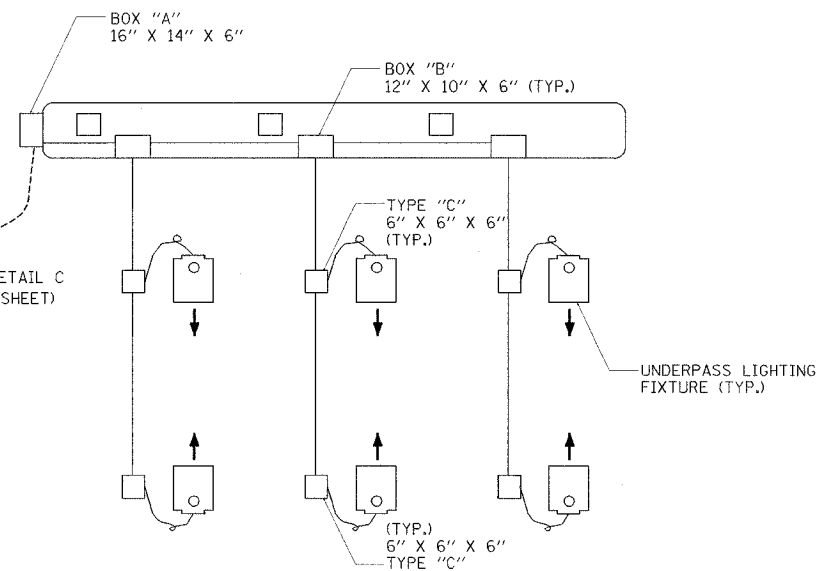
CONTRACT 62829	F.A.P. RTE.	SECTION	COUNTY	TOTAL SHEETS	SHEET NO.
	305	2004-088B	COOK	145	53
	STA.	TO STA.			



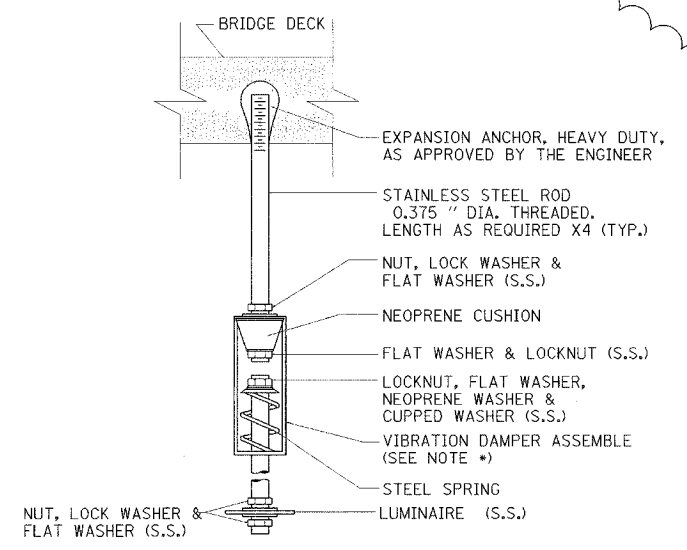
DETAIL A
NOT TO SCALE



CONDUIT CLAMP
DETAIL C
NOT TO SCALE

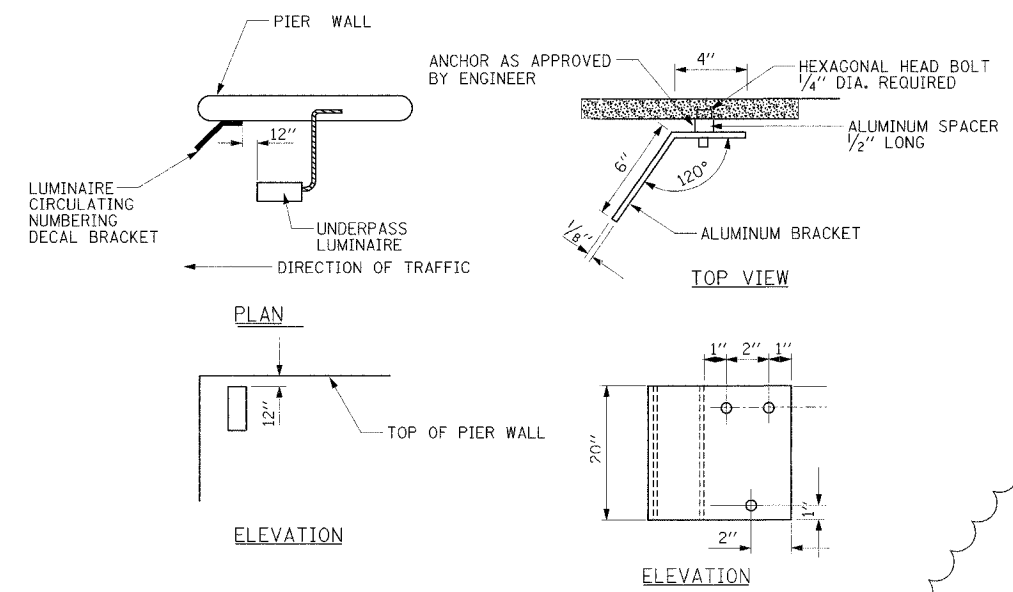


TYPICAL UNDERPASS LIGHTING (ONE SIDE)
JUNCTION BOX SIZING
DETAIL B
NOT TO SCALE



LUMINAIRE HANGER ASSEMBLY
DETAIL D
NOT TO SCALE

NOTE *
OTHER VIBRATION DAMPER ASSEMBLY MAY BE USED IF APPROVED BY THE ENGINEER.



LUMINAIRE NUMBERING DECAL BRACKET
NOT TO SCALE

Edwards AND Kelcey	
REVISIONS	
NAME	DATE
ADDENDUM 1	2/22/05

ILLINOIS DEPARTMENT OF TRANSPORTATION
SUSPENDED MOUNT UNDERPASS LUMINAIRE INSTALLATION DETAILS
WILLOW ROAD
OVER US 45/IL 21 (MILWAUKEE AVE)
AND OVER DES PLAINES RIVER
SCALE NOT TO SCALE
DATE JANUARY 2005
DRAWN BY CADD CS
CHECKED BY CDS

LTG-9

02/22/2005 05:35:14 PM