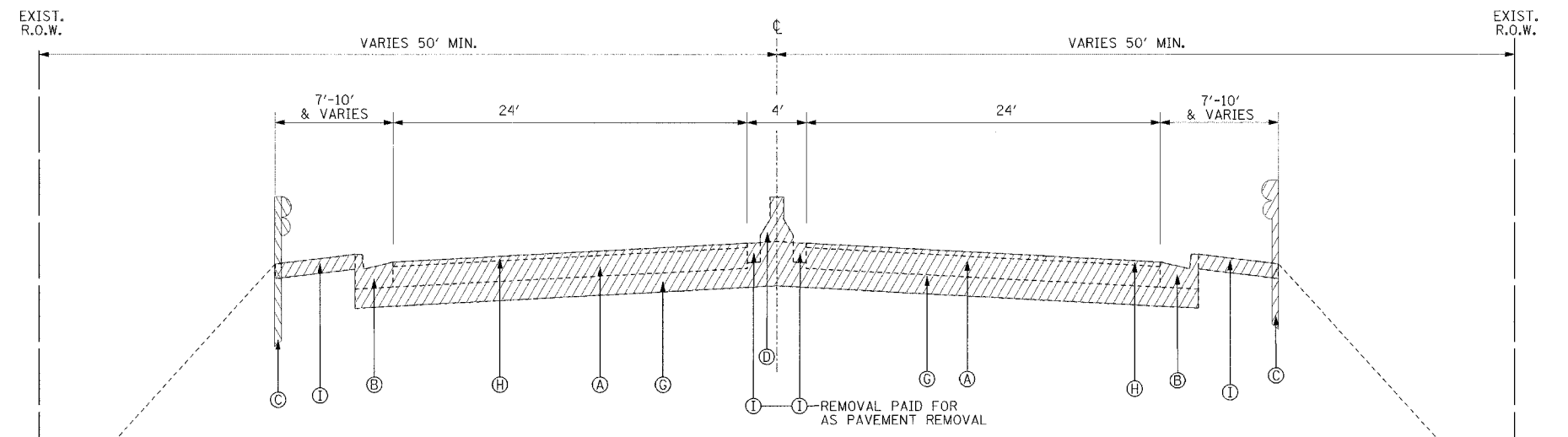
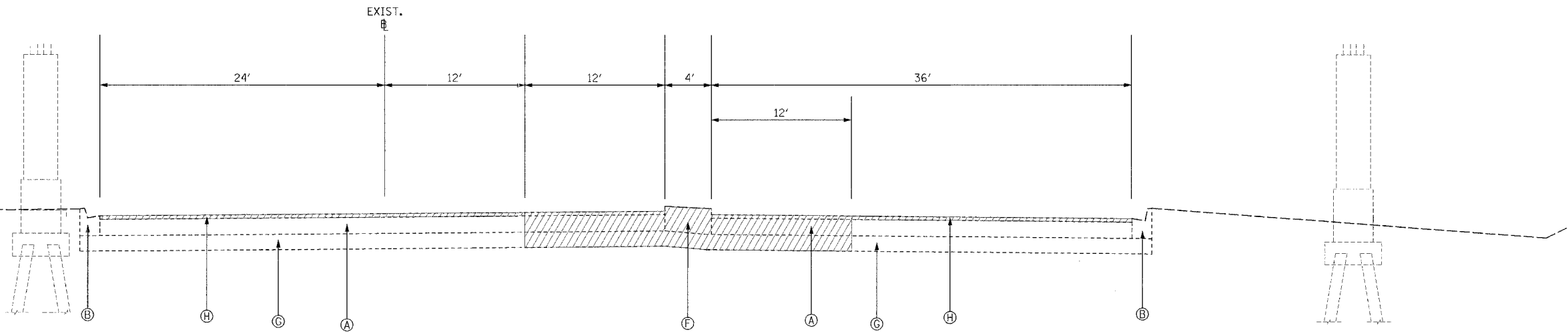


CONTRACT 62829	F.A.P. RTE.	SECTION	COUNTY	TOTAL SHEETS	SHEET NO.
	305	2004-088B	COOK	145	17
STA.		TO STA.			



WILLOW ROAD
STA. 380+90 TO STA. 406+80



MILWAUKEE AVENUE
AT WILLOW ROAD BRIDGE PIER

LEGEND

- (A) EXISTING PAVEMENT (10" P.C.C.)
- (B) EXISTING COMBINATION CONCRETE CURB AND GUTTER (TYPE B 6.12)
- (C) EXISTING GUARDRAIL
- (D) EXISTING CONCRETE BARRIER, DOUBLE FACE
- (E) EXISTING BITUMINOUS MEDIAN SURFACE (6" ESTIMATED) (NOT USED)
- (F) EXISTING CONCRETE MEDIAN SURFACE (6" ESTIMATED)
- (G) EXISTING SUBBASE (12" AGGREGATE)
- (H) EXISTING BITUMINOUS OVERLAY (3" ESTIMATED)
- (I) EXISTING CONCRETE SHOULDERS (6" ESTIMATED)

NOTE: THICKNESS OF EXISTING PAVEMENT AND SUB BASES ARE TAKEN FROM AS-BUILT PLANS.

REMOVAL ITEMS

Edwards AND Kelcey	
REVISIONS	
NAME	DATE

ILLINOIS DEPARTMENT OF TRANSPORTATION
EXISTING TYPICAL SECTIONS
WILLOW ROAD
WILLOW ROAD
OVER US 45/IL 21 (MILWAUKEE AVE)
AND OVER DES PLAINES RIVER
SCALE N.T.S. DRAWN BY D.E.S.
DATE JANUARY 2005 CHECKED BY P.J.M.

TYP-1
07/27/2005 02:55:19 PM