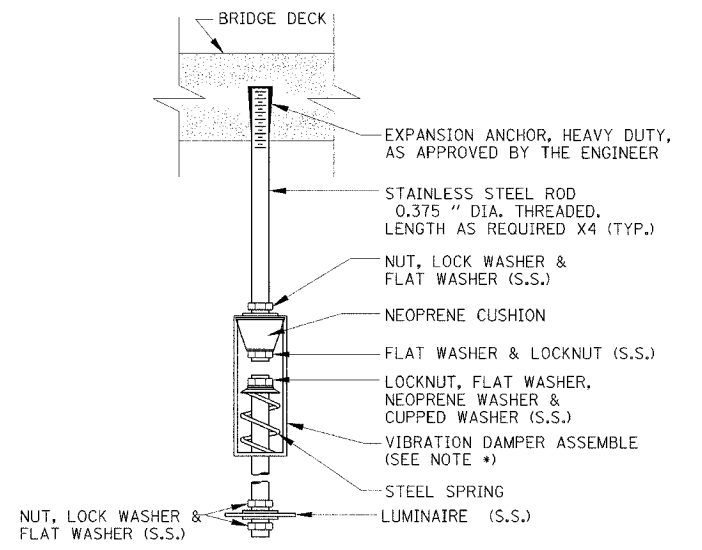
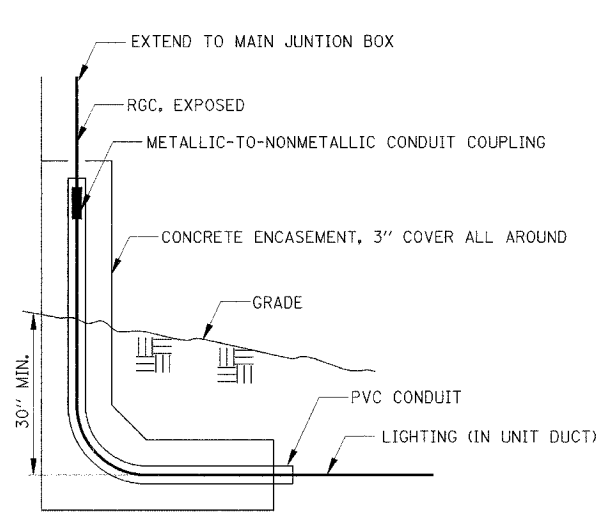
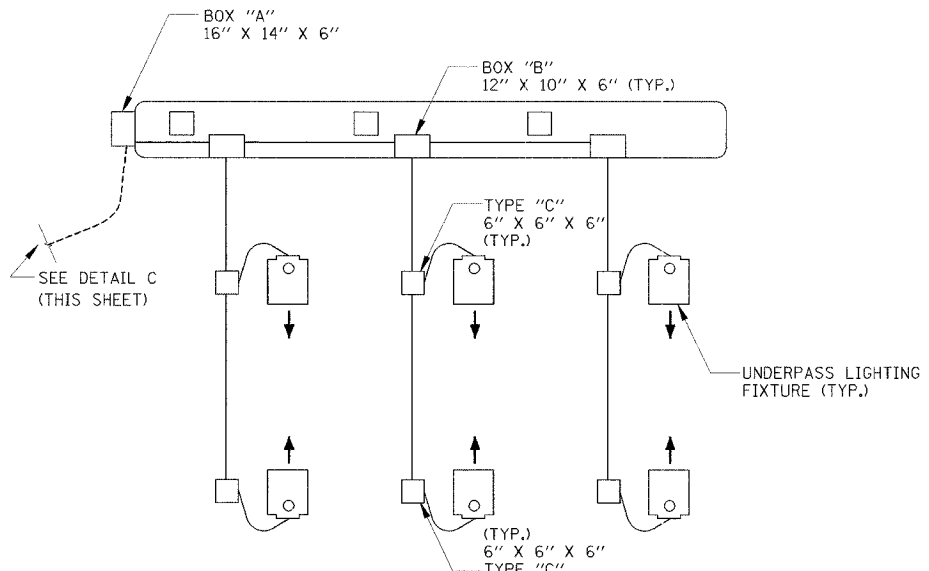
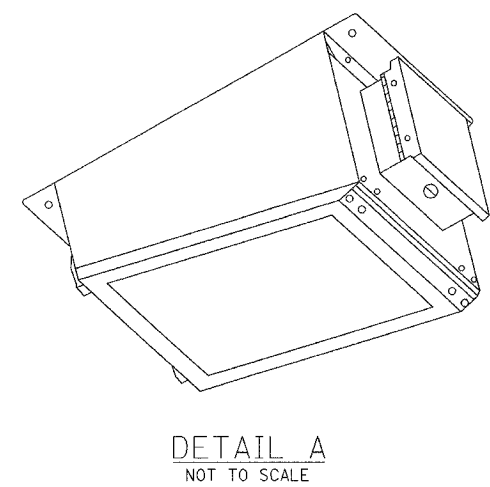
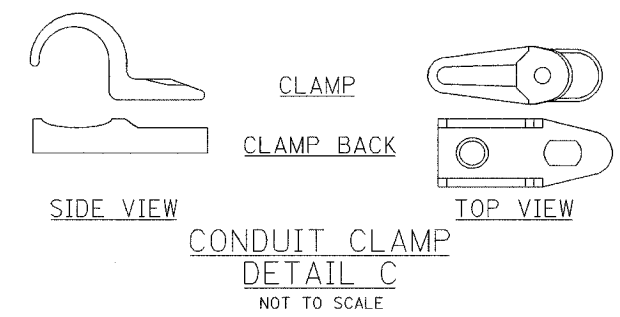


NOTE:  
1. UNDERPASS LIGHTING TO BE IDENTIFIED BY DEPARTMENTS STANDARD LUMINAIRS DECALS



NOTE:  
OTHER VIBRATION DAMPER ASSEMBLY MAY BE USED IF APPROVED BY THE ENGINEER.



REVISIONS	
NAME	DATE

ILLINOIS DEPARTMENT OF TRANSPORTATION  
WILLOW ROAD AND MILWAUKEE AVE UNDERPASS LIGHT MOUNTING DETAILS  
WILLOW ROAD OVER US 45/IL 21 (MILWAUKEE AVE) AND OVER DES PLAINES RIVER  
SCALE: NOT TO SCALE  
DATE: JANUARY 2005  
DRAWN BY: CADD  
CHECKED BY:   
LTG-8

P:\00000910\4\advance contract\lighting 8 lighting plan.dwg 01/02/04 01:02:24 PM