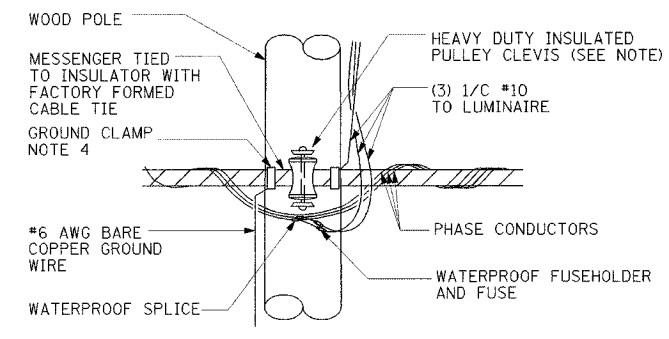
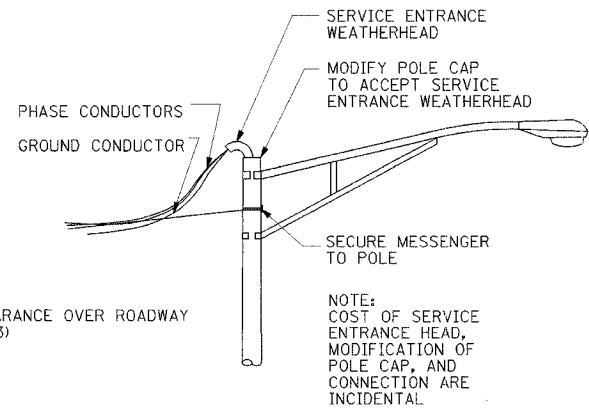
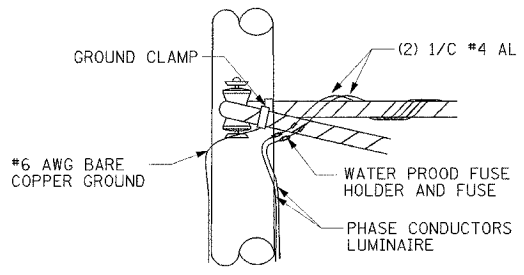


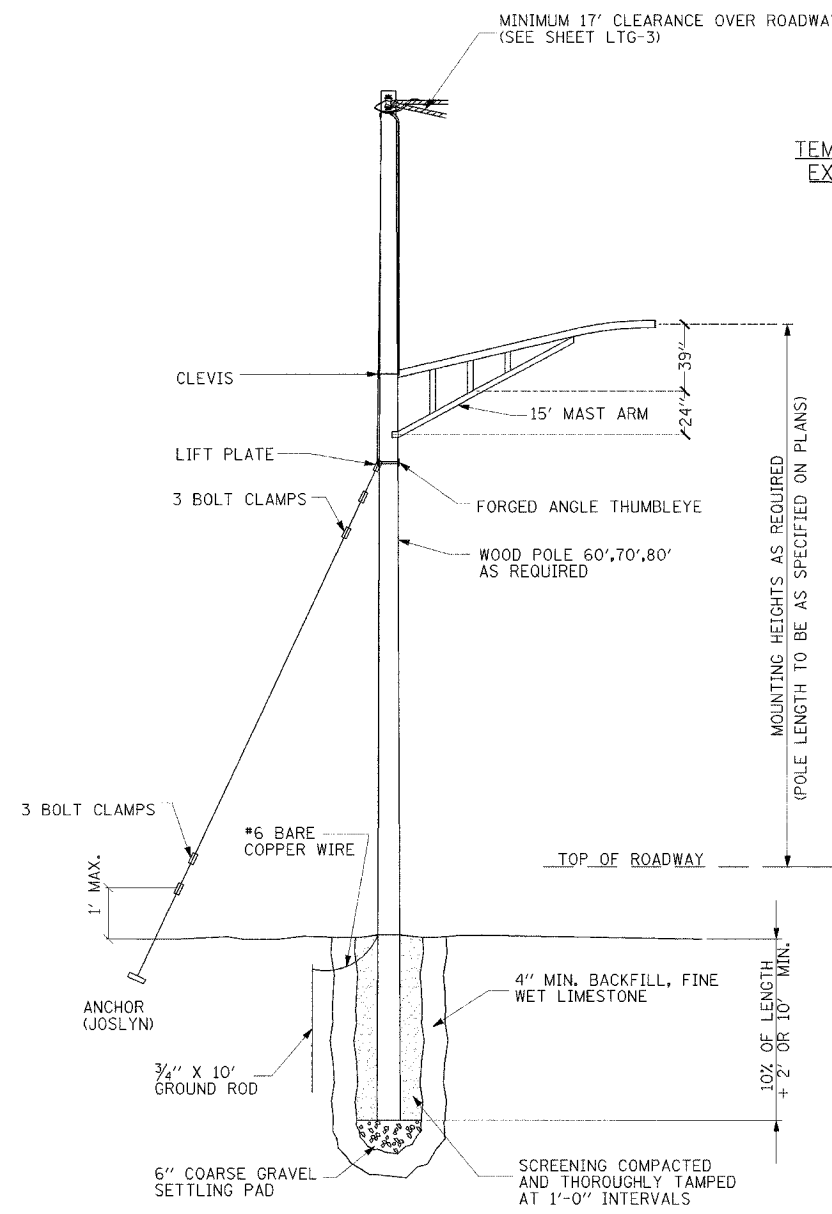
CONTRACT 62829	F.A.P. RTE.	SECTION	COUNTY	TOTAL SHEETS	SHEET NO.
	305	2004-088B	COOK	145	53
	STA.	TO STA.			

P:\000009\04\road\advance contract\lighting\9 lighting plan.dwg



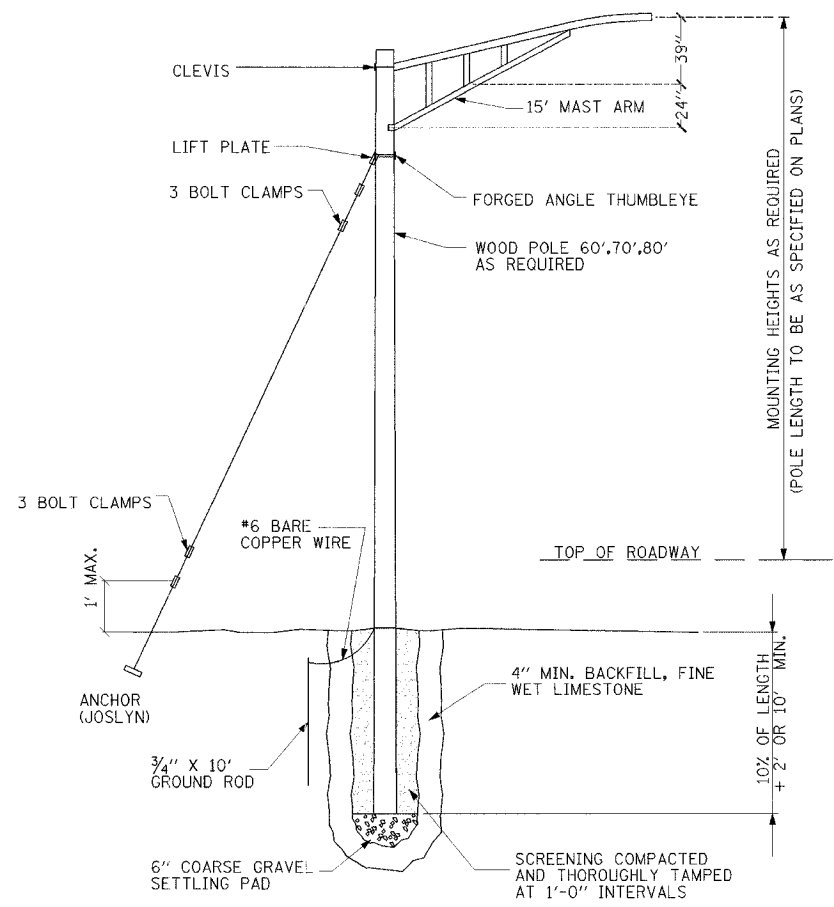
TEMPORARY POWER FEED FROM EXISTING ALUMINUM POLE
NOT TO SCALE

TEMPORARY LIGHT POLE CABLE ATTACHMENT DETAIL
NOT TO SCALE



TEMPORARY LIGHT POLE DETAIL
NOT TO SCALE

NOTE:
SEE SHEET LTG-3 FOR PLACEMENT OF 30 FT POLE
15 FT LUMINAIRE PLACEMENT (SEE NOT ③)



TEMPORARY LIGHT POLE DETAIL
NOT TO SCALE

NOTES

1. SEE DRAWING NO. LTG-1 FOR ELECTRICAL NOTES.
2. SEE DRAWING LTG-2 FOR ELECTRICAL SYMBOLS AND ABBREVIATIONS.
3. SEE ELECTRICAL PLANS FOR LOCATION OF LIGHTING UNITS AND THE ROUTING OF AERIAL CABLE.
4. ALL HARDWARE AND MODIFICATIONS TO THE EXISTING LIGHT POLES REQUIRED TO SUPPLY POWER TO THE LIGHTING UNITS FROM THE AERIAL CABLES SHALL BE PAID FOR UNDER THE AERIAL CABLE, 2-1/C NO. 4 WITH MESSENGER WIRE PAY ITEM AND WILL NOT BE PAID FOR SEPARATELY.
5. ALL HARDWARE REQUIRED TO MOUNT THE MAST ARM TO THE WOOD POLE SHALL BE CONSIDERED TO BE INCIDENTAL TO THE 1/2 CONVENTIONAL MAST ARM, STEEL, 15 FEET LENGTH 1/2 PAY ITEM AND WILL NOT BE PAID FOR SEPARATELY. ALL HARDWARE AND MODIFICATIONS TO SUPPLY POWER TO THE TEMPORARY LIGHTING UNITS FROM THE NEW AERIAL CABLES SHALL BE PAID FOR UNDER APPLICABLE TEMPORARY WOOD POLE PAY ITEM. SEPARATE PAYMENT WILL NOT BE MADE.
6. ONE MAST ARM AND LUMINAIRE MOUNTED ON WOOD POLE SHOWN.

Edwards and Kelcey	
REVISIONS	
NAME	DATE

ILLINOIS DEPARTMENT OF TRANSPORTATION
 TEMPORARY LIGHT POLE DETAILS
 WILLOW ROAD
 OVER US 45/IL 21 (MILWAUKEE AVE)
 AND OVER DES PLAINES RIVER
 SCALE NOT TO SCALE DRAWN BY CADD CS
 DATE JANUARY 2005 CHECKED BY CDS

LTG-9

1/15/05 2:22 AM