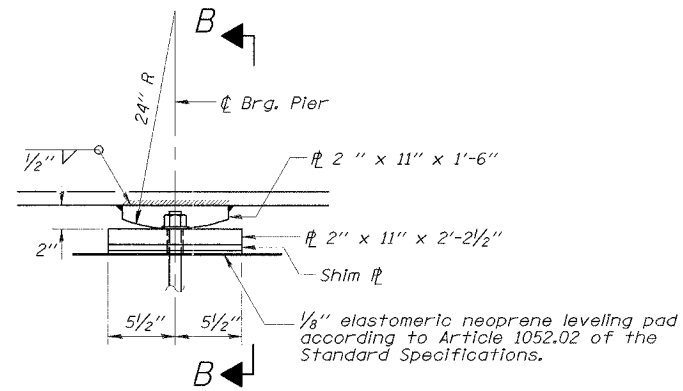
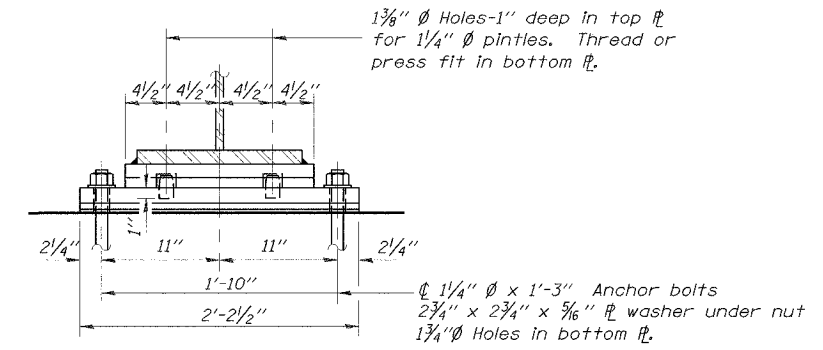


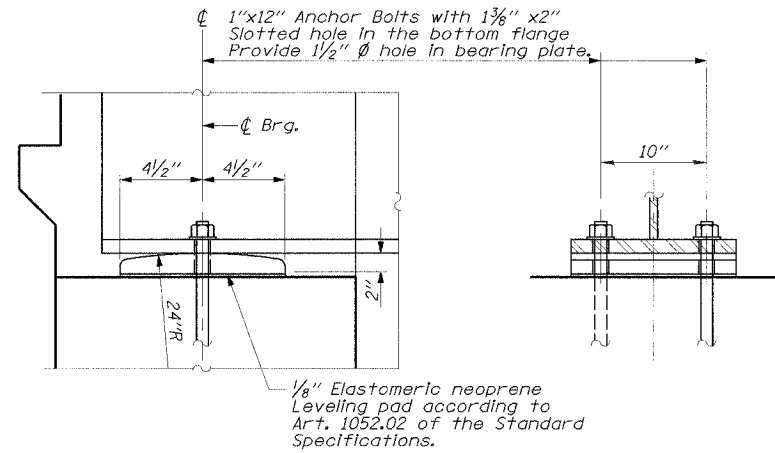
| FALL LINE NO. | SECTION | COUNTY | TOTAL SHEETS | SHEET NO. |
|-----------------------|-----------|-------------------|--------------|-----------|
| 305 | 2004-088B | COOK | 145 | 66 |
| FED. ROAD DIST. NO. 1 | ILLINOIS | FED. AID PROJECT- | | |



ELEVATION AT PIER



SECTION B-B

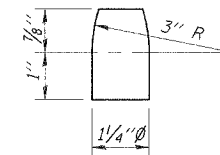


INTEGRAL ABUTMENT BEARING

(24 Req'd)

FIXED BEARING AT PIER

(12 Req'd)



PINTLE

NOTES:

- Anchor bolts at fixed bearings may be built into the masonry.
- See Sheet SA-23 for Anchor Bolt Installation.
- All bearing steel is AASHTO M270 Grade 50.
- Bearing assemblies including shims and elastomeric neoprene leveling pads already furnished under Beam And Bearing Fabrication Contract 62851.
- Anchor Bolts to be furnished under this contract.

BEARING DETAILS
WILLOW ROAD OVER
MILWAUKEE AVENUE
(IL RTE. 21/U.S. 45)
F.A.P. RTE. 305
SECTION 2004-088B
COOK COUNTY
STA. 391+71.02 @ WILLOW RD.
STR. NO. 016-2786

EDWARDS AND KELCEY

| | |
|----------|-----|
| DESIGNED | AJN |
| CHECKED | JAP |
| DRAWN | ABW |
| CHECKED | EL |