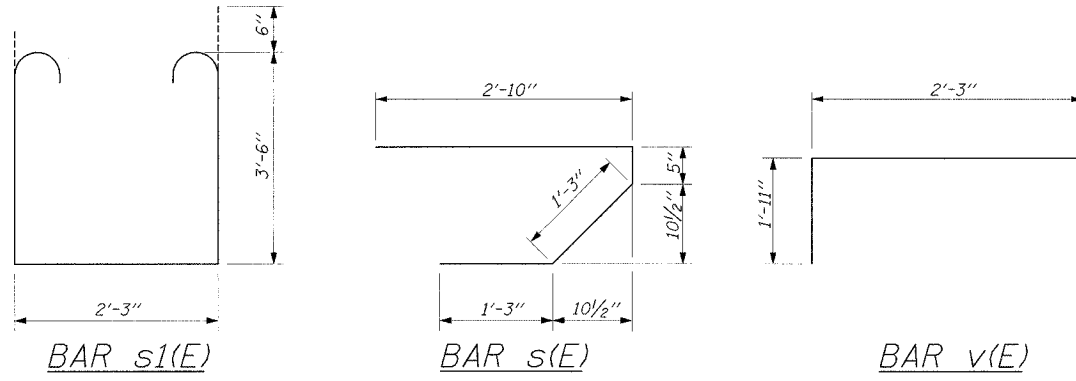


DIAPHRAGM ELEVATION WEST ABUTMENT (AS SHOWN)
DIAPHRAGM ELEVATION EAST ABUTMENT (OPPOSITE HAND)



NOTES:

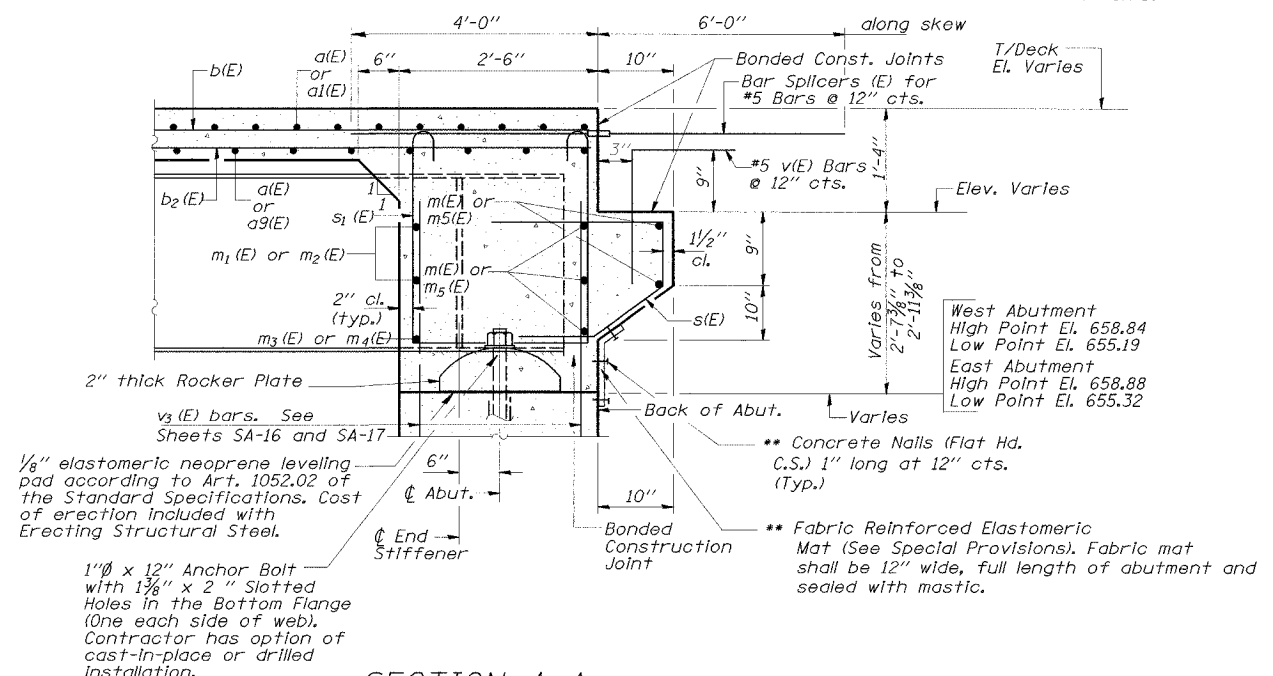
1. Reinforcement bars in diaphragm are included with the total for superstructure "reinforcement bars, epoxy coated" on sheet SA-2 of SA-30.
2. Concrete in diaphragm is included with Concrete Superstructure on sheet SA-2 of SA-30.
3. The s(E), s1(E), b4(E) and v(E) bars shall be placed parallel to the beams. Spacing for these bars shall be at right angles to the beams.
4. For anchor bolt details see sheet SA-23 of SA-30.

MIN. BAR LAP
#6 bar = 2'-7"

DESIGNED	AJN
CHECKED	JAP
DRAWN	ABW
CHECKED	EL

BILL OF MATERIAL
(For East and West Diaphragms)

Bar	No.	Size	Length	Shape
m (E)	10	#6	34'-10"	—
m1 (E)	8	#6	6'-7"	—
m2 (E)	40	#6	10'-0"	—
m3 (E)	22	#6	7'-3"	—
m4 (E)	4	#6	1'-6"	—
m5 (E)	20	#6	26'-2"	—
s (E)	166	#5	5'-9"	J
s1 (E)	144	#4	10'-3"	M
v (E)	168	#5	4'-2"	┌
Concrete Superstructure		Cu. Yd.	61.0	
Reinforcement Bars Epoxy Coated		Pound	4,950	
Bars Splicers		Each	180	



SECTION A-A

Dimensions at right angles to abutment, except as shown.
* Cost Included with Concrete Structures.
** Cost Included with Concrete Superstructure.

WEST AND EAST ABUTMENT
DIAPHRAGM DETAILS
WILLOW ROAD OVER
MILWAUKEE AVENUE
(IL RTE. 21/U.S. 45)
F.A.P. RTE. 305
SECTION 2004-088B
COOK COUNTY
STA. 391+71.02 @ WILLOW RD.
STR. NO. 016-2786
EDWARDS AND KELCEY