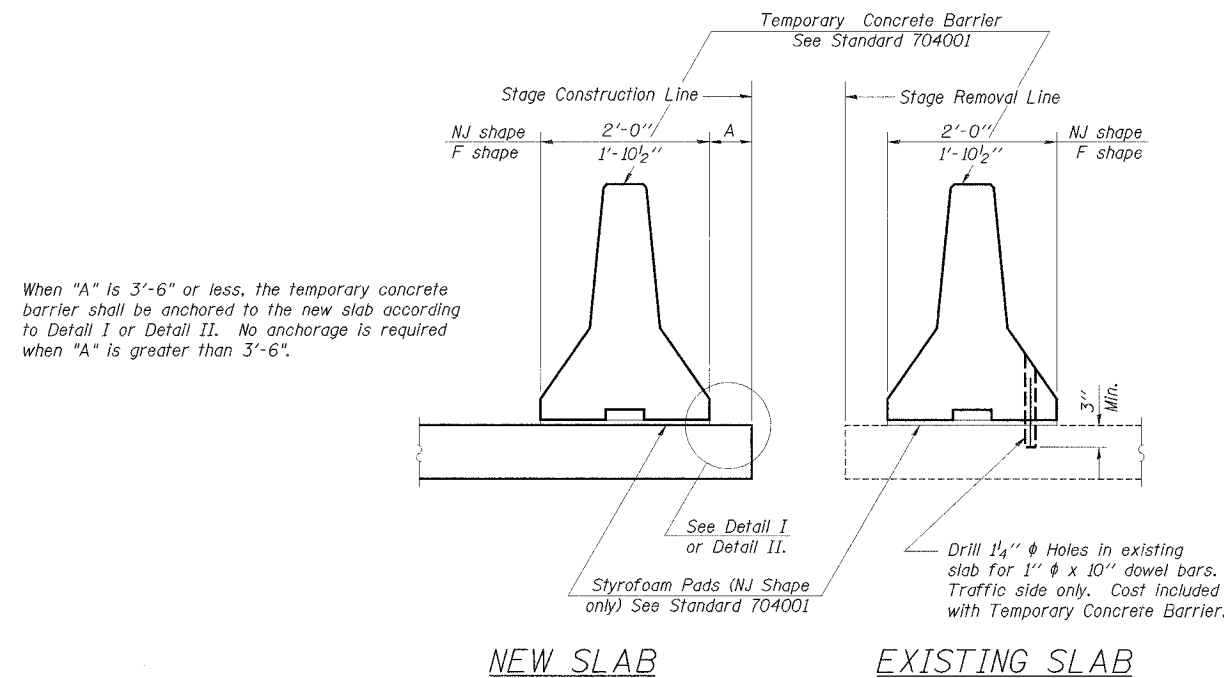


STATE OF ILLINOIS  
DEPARTMENT OF TRANSPORTATION

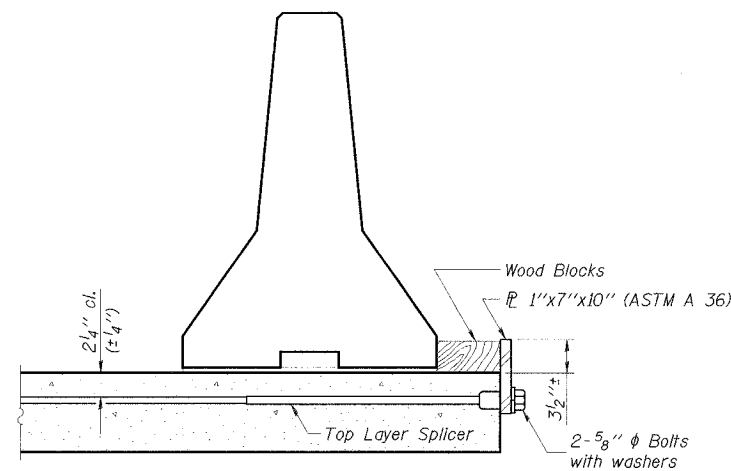
CONTRACT 62829

F.A.P. RTE. NO.	SECTION	COUNTY	TOTAL SHEETS	SHEET NO.
305	2004-088B	COOK	145	74
FED. ROAD DIST. NO. 1	ILLINOIS	FED. AID PROJECT		

SHEET NO. SA-21  
OF SHEETS SA-30

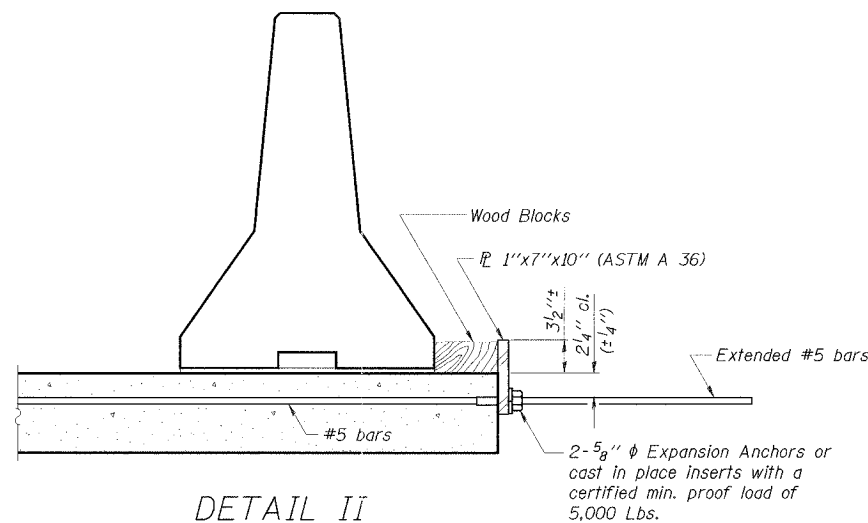


SECTIONS THRU SLAB



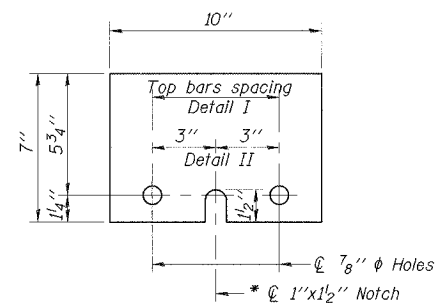
DETAIL I

The 1" x 7" x 10" Plate shall not be removed until Stage II Construction forms and reinforcement bars are in place.



DETAIL II

The 1" x 7" x 10" Plate shall not be removed until Stage II Construction forms and all reinforcement bars are in place and the concrete is ready to be placed.



1" x 7" x 10"  
\* Required only with Detail II

- NOTES**
- Detail I - With Bar Splicer or Couplers:  
Connect one (1) 1" x 7" x 10" steel  $\bar{L}$  to the top layer of couplers with 2-5/8"  $\phi$  bolts screwed to coupler at approximate  $\bar{C}$  of each barrier panel.
- Detail II - With Extended Reinforcement Bars:  
Connect one (1) 1" x 7" x 10" steel  $\bar{L}$  to the concrete slab with 2-5/8"  $\phi$  Expansion Anchors or cast in place inserts spaced between the top layer of reinforcement at approximate  $\bar{C}$  of each barrier panel.
- Cost of anchorage is included with Temporary Concrete Barrier.

P:\000019\016\016\Advances\_Contract\Advances\_Contract\Advances\_Contract\Structural\Millw\_Planes\Millw-21.dwg

DESIGNED	AJN
CHECKED	JAP
DRAWN	ABW
CHECKED	EL

R-27 9-01-03

TEMPORARY BARRIER  
WILLOW ROAD OVER  
MILWAUKEE AVENUE  
(IL RTE. 21/U.S. 45)  
F.A.P. RTE. 305  
SECTION 2004-088B  
COOK COUNTY  
STA. 391+71.02  $\bar{C}$  WILLOW RD.  
STR. NO. 016-2786

EDWARDS AND KELCEY