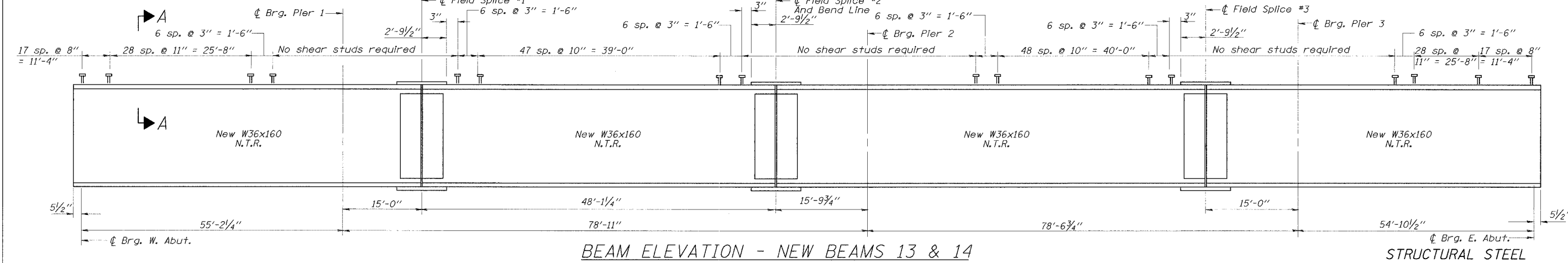
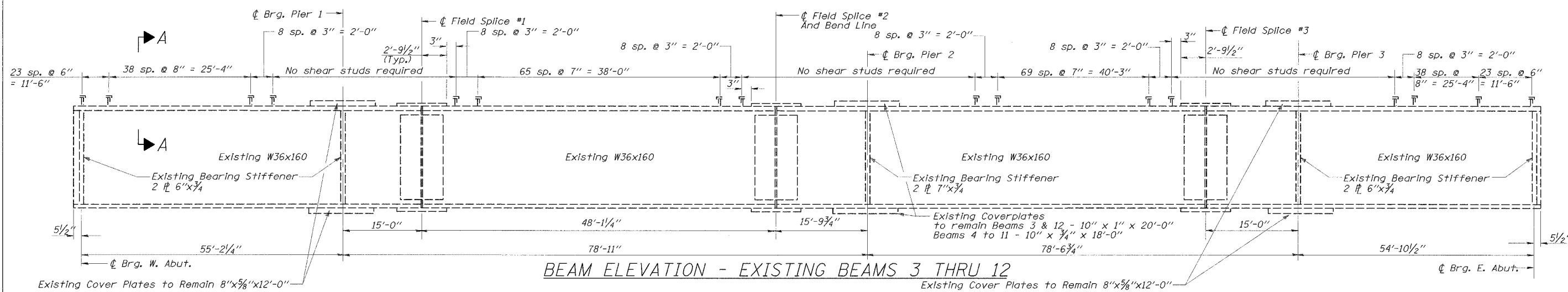
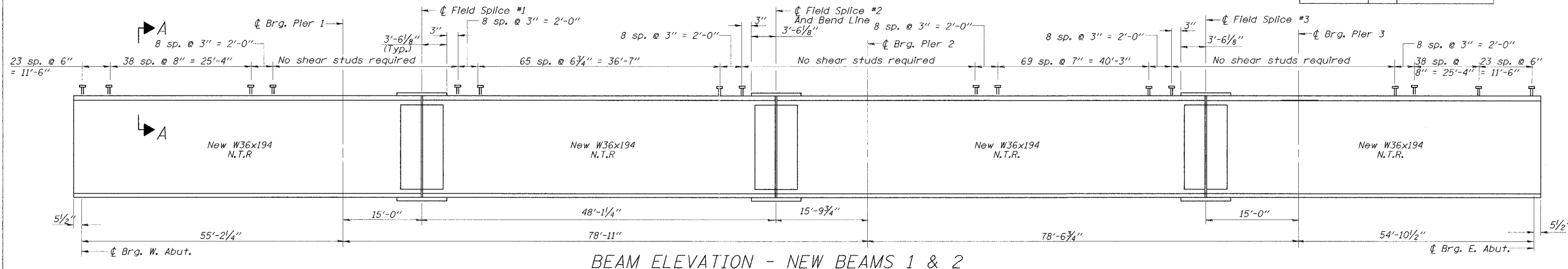


STATE OF ILLINOIS
DEPARTMENT OF TRANSPORTATION

CONTRACT 62829

P.A.L. R.T.C. NO.	SECTION	COUNTY	TOTAL SHEETS	SHEET NO.
305	2004-088B	COOK	145	96
FED. ROAD DIST. NO. 1	ILLINOIS	FED. AID PROJECT		

SHEET NO. SB-13
OF SHEETS SB-4



DESIGNED	EL
CHECKED	JAS
DRAWN	ABW
CHECKED	EL

- NOTE:**
- For Section A-A see Sheet SB-15.
 - N.T.R. Refers to the supplemental Requirements for Notch Toughness, Zone 2
 - Beams already furnished under Beam and Bearing Fabrication Contract 62851.
 - Shear studs to be furnished under this contract.

STRUCTURAL STEEL
GIRDER ELEVATIONS
WILLOW ROAD OVER
DES PLAINES RIVER
F.A.P. RTE. 305
SECTION 2004-088B
COOK COUNTY
STA. 397+76.18
STR. NO. 016-0530

EDWARDS AND KELCEY

12/28/2004 4:50:20 AM
F:\02009\04\404\Advances_Contract\Advances_Contract\Structural\DesPlaines\Plan_Sep\user\plns13.dwg