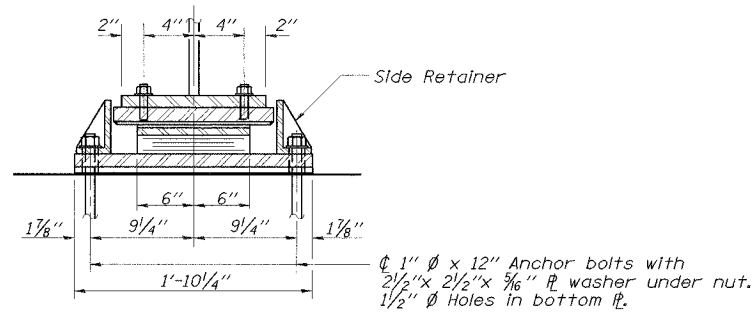


ELEVATION AT EAST & WEST ABUTMENT

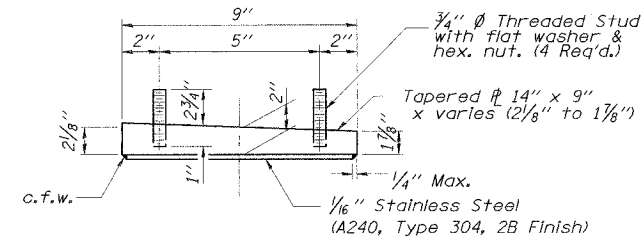
* Two 1/8" adjusting shims to be provided with each bearing. Placement location shown in case they are needed.



SECTION A-A

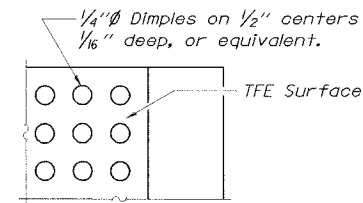
TYPE II ELASTOMERIC EXPANSION BEARING

(Beams 1&2 and 13&14)

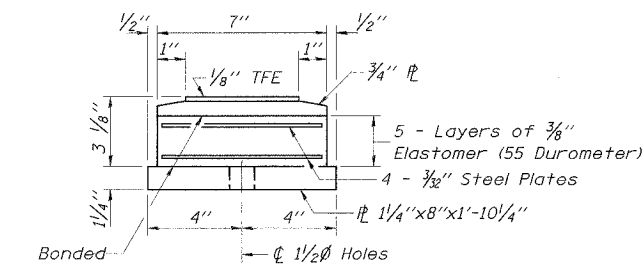


TOP BEARING ASSEMBLY

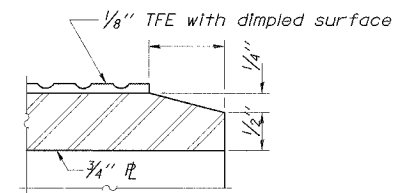
Tapered. Larger thickness should be placed at the west end for both abutments.



PLAN-TFE SURFACE



BOTTOM BEARING ASSEMBLY

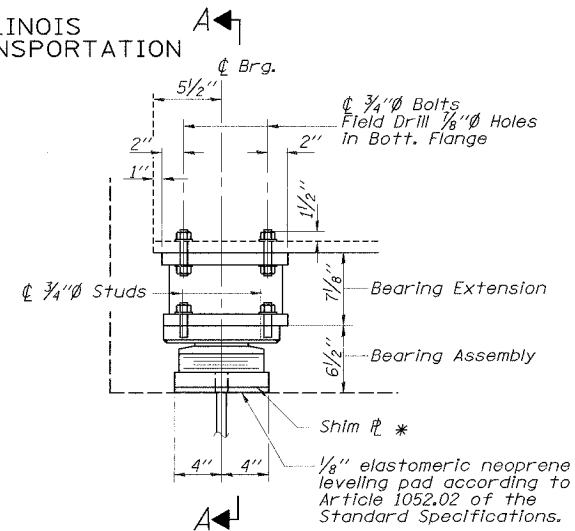


SECTION THRU TFE

NOTES:

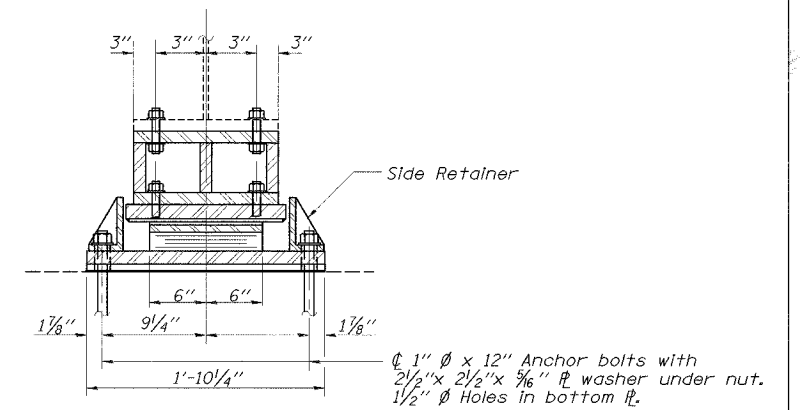
- The 1/8" TFE sheet shall be bonded directly to the top steel plate with a two-component, medium viscosity epoxy resin, conforming to the requirements of the Federal Specification MMM-A-134, Type I. The bond agent shall be applied on the full area of the contact surfaces.
- Bonding of 1/8" TFE sheet during vulcanizing process will be permitted provided the process and method of adjusting assembly height is approved by the Engineer.
- Bearing Assemblies including shims and elastomeric neoprene leveling pads already furnished under Beam And Bearing Fabrication Contract 62851.
- Anchor Bolts to be furnished under this contract.

DESIGNED	EL
CHECKED	JAS
DRAWN	ABW
CHECKED	EL



ELEVATION AT EAST & WEST ABUTMENT

* Two 1/8" adjusting shims to be provided with each bearing. Placement location shown in case they are needed.



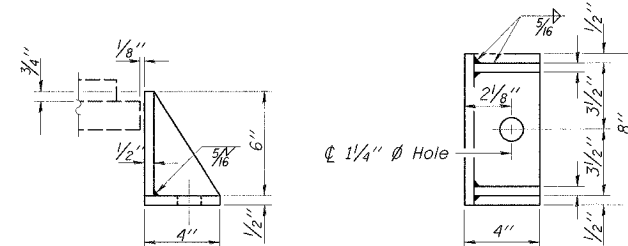
SECTION A-A

NOTE:

Weight for bearing extensions included with structural steel.

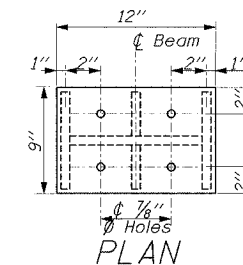
TYPE II ELASTOMERIC EXPANSION BEARING

(Beams 3 through 12 have bearing extensions)

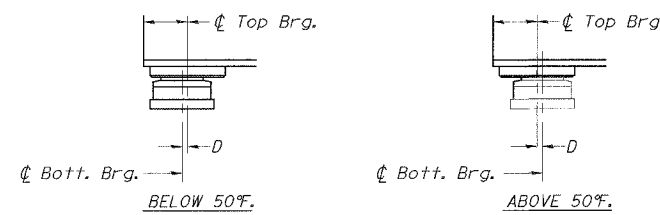


SIDE RETAINER

Equivalent rolled angle with stiffeners will be allowed in lieu of welded plates. Weight included with Structural Steel.



PLAN



BELOW 50°F.

ABOVE 50°F.

(Move bottom bearing away from fixed brg.)

(Move bottom bearing toward fixed brg.)

SETTING ANCHOR BOLTS AT EXP. BRG.

D=1/8" per each 100' of expansion for every 15° temp. change from the normal temp. of 50°F.

BILL OF MATERIAL

Item	Unit	Total
Erecting Elastomeric Bearing Assembly Type II	Each	28

SECTION C-C

ELEVATION

STEEL EXTENSION

(20 Required, weight included with structural steel)

BEARING DETAILS I
WILLOW ROAD OVER
DES PLAINES RIVER
F.A.P. RTE. 305
SECTION 2004-088B
COOK COUNTY
STA. 397+76.18
STR. NO. 016-0530

EDWARDS AND KELCEY