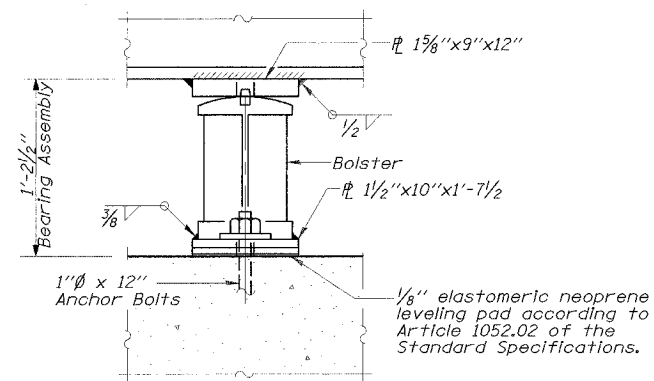


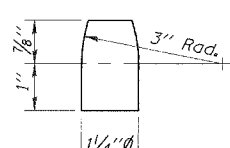
STATE OF ILLINOIS  
DEPARTMENT OF TRANSPORTATION

CONTRACT 62829	F.A.P. RTE. NO.	SECTION	COUNTY	TOTAL SHEETS	SHEET NO.
	305	2004-088B	COOK	145	100

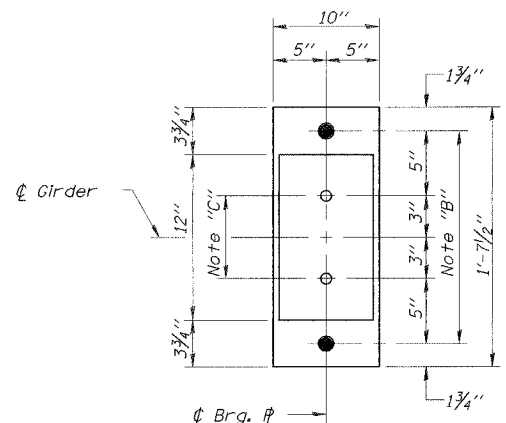
SHEET NO. SB-17  
OF SHEETS SB-44



ELEVATION



PINTLE

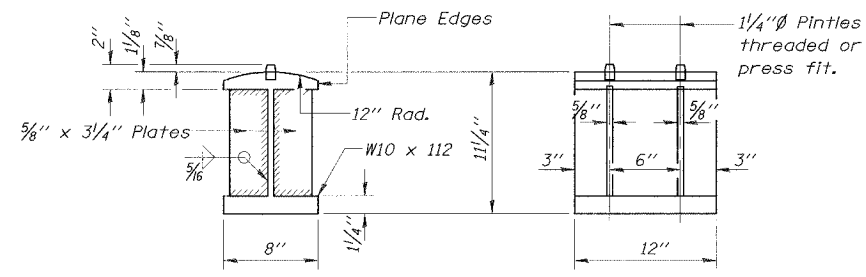


PLAN

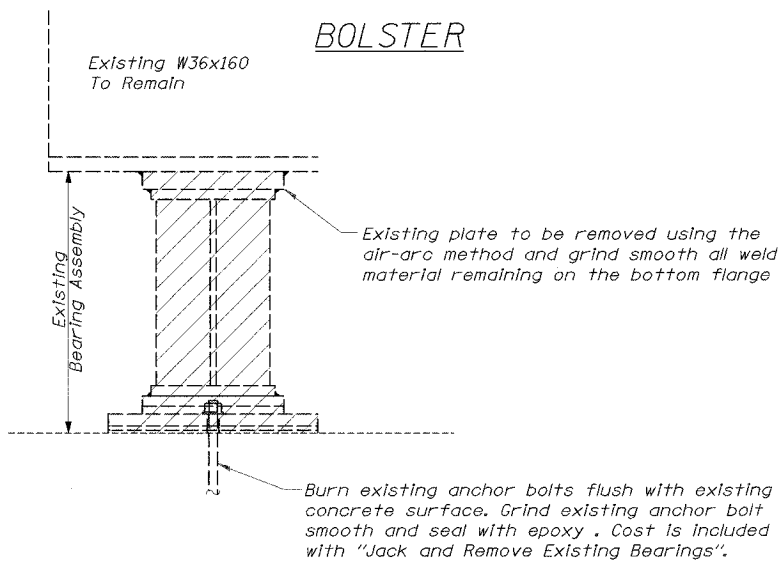
Note "B"  
1 1/2"  $\phi$  Holes-1" Anchor Bolts.  
3/8" x 2 1/2" x 2 1/2"  $\phi$  Washers under nut.

Note "C"  
1 3/8"  $\phi$  Holes-1" deep in top  $\phi$  only for 1 1/4"  $\phi$  Pintles.

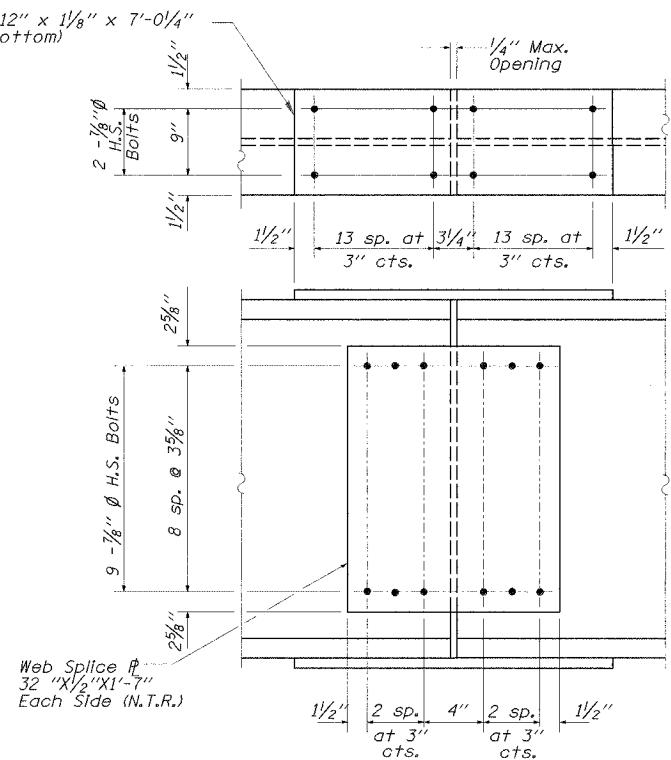
FIXED BEARING AT PIER 2



BOLSTER



EXISTING STEEL BEARING REMOVAL  
(At East & West Abutments, and Piers 1 & 3)



TYPICAL SPLICE AT NEW W36x194 BEAMS  
(Typ. Splces 1 and 3. Splice 2 is similar but has bent plates to accommodate 15'1" bend)

NOTES:

- Weight for new fixed bearings included with structural steel.
- New fixed bearings including shims and elastomeric neoprene leveling pads already furnished under Beam And Bearing Fabrication Contract 62851.
- Anchor Bolts to be furnished under this contract.
- Bearings under existing beams to be cleaned and painted according to the special provision for Cleaning and Painting Existing Metal Structures.

DESIGNED	EL
CHECKED	JAS
DRAWN	ABW
CHECKED	EL

PROCEDURE TO JACK AND REMOVE EXISTING BEARINGS

- See Special Provision "Jack and Remove Existing Bearings".
- Jacking and removing existing bearings, including top and bottom plates and lead plates, shall be done after deck removal is completed and before the new deck is poured.
- See table for support reactions (weight of steel only) and min. Jack capacities.
- All beams at one abutment or pier shall be lifted simultaneously.
- Jacking shall be limited to a maximum of 3/4".
- The new bearings shall be in place and the Jacks shall be lowered before the new deck is poured.

SUPPORT REACTIONS AND MIN. JACK CAPACITIES

Location	Dead Load (kips)	Min. Jack Cap. (kips)
E. Abutment	4	8
Pier 1	15	30
Pier 3	15	30
W. Abutment	4	8

(Reactions per beam)

BILL OF MATERIAL

Item	Unit	Total
Jack & Remove Existing Bearings	Each	40

BEARING DETAILS II  
WILLOW ROAD OVER  
DES PLAINES RIVER  
F.A.P. RTE. 305  
SECTION 2004-088B  
COOK COUNTY  
STA. 397+76.18  
STR. NO. 016-0530

EDWARDS AND KELCEY

12/28/2004 10:53:01 AM P:\000015\4\4\Adv\Adv\Contract\Adv\Structural\Des\Planes\Plan\_Sch\des\insf.dwg