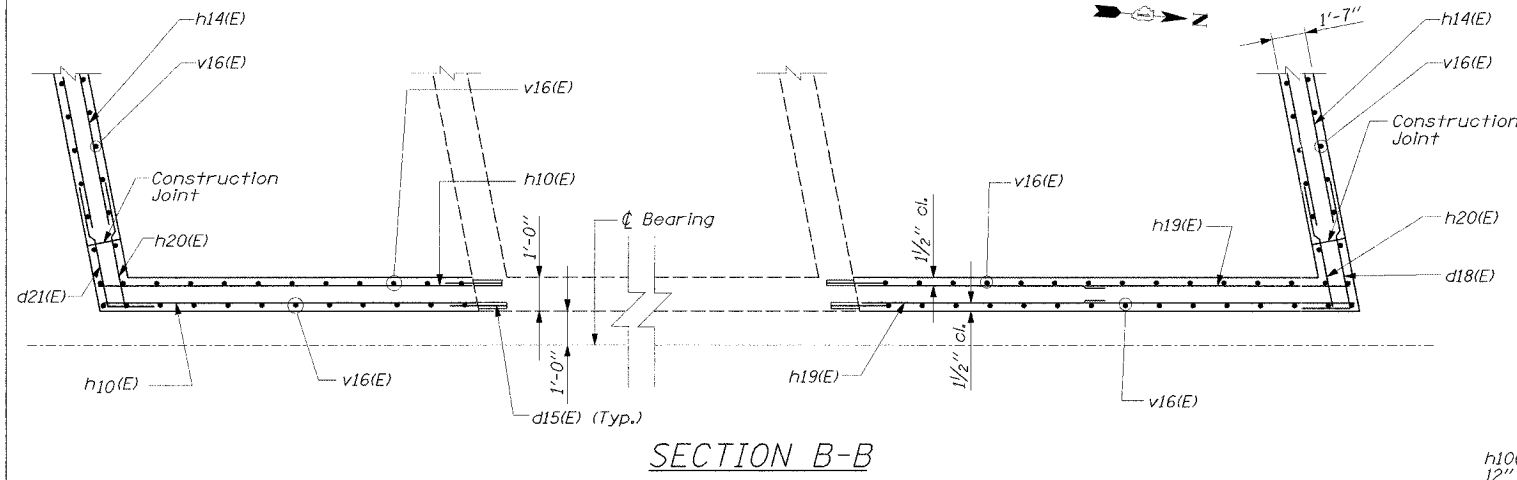


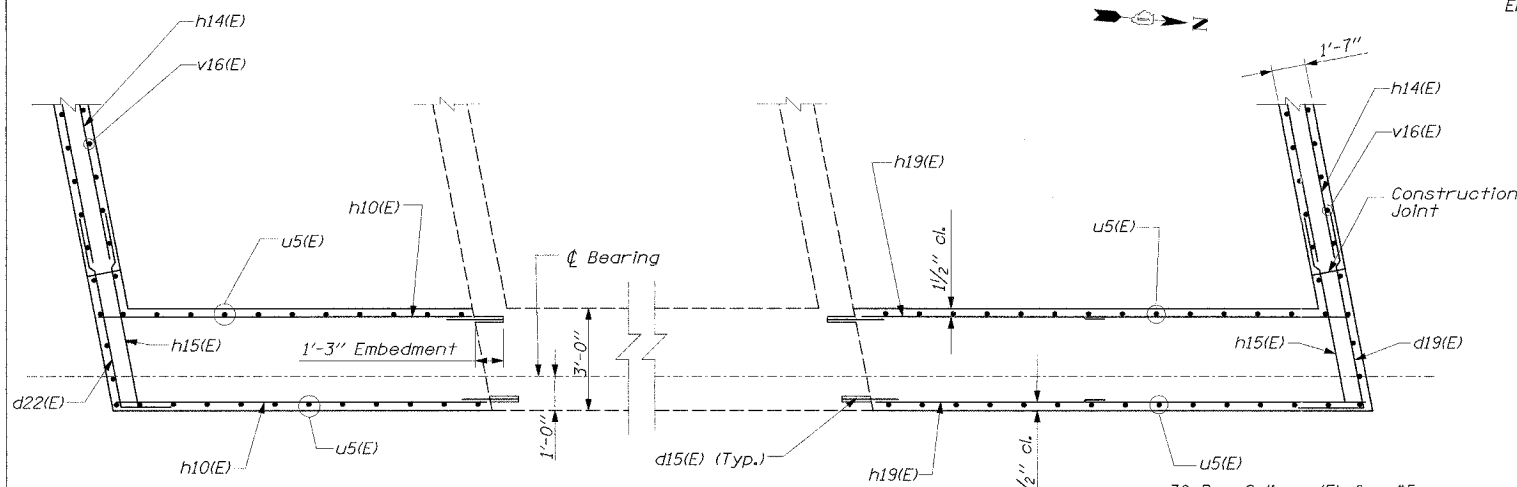
STATE OF ILLINOIS  
DEPARTMENT OF TRANSPORTATION

CONTRACT 62829	F.A.P. RTE. NO.	SECTION	COUNTY	TOTAL SHEETS	SHEET NO.
	305	2004-088B	COOK	145	103
	FED. ROAD DIST. NO. 1	ALLIANCE	FED. AID PROJECT		

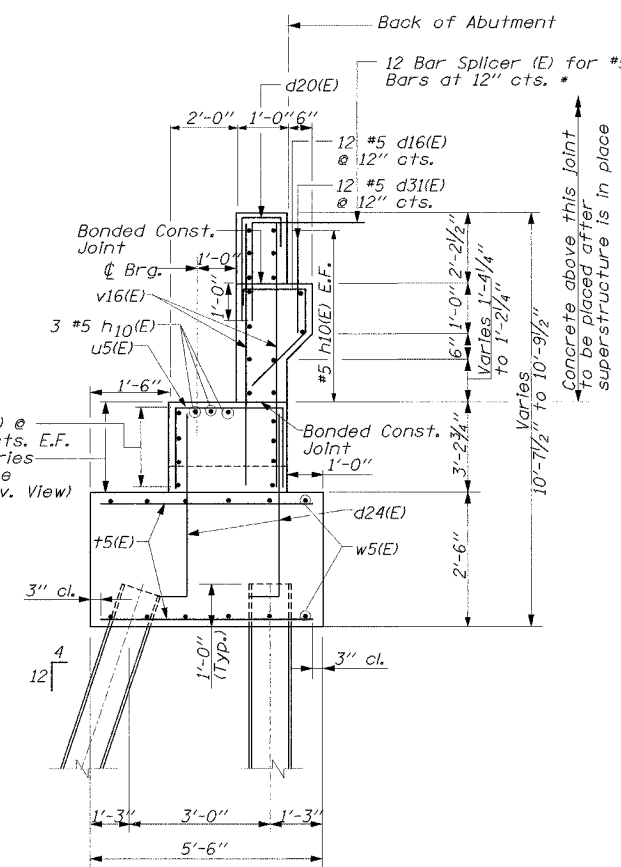
SHEET NO. SB-20  
OF SHEETS SB-44



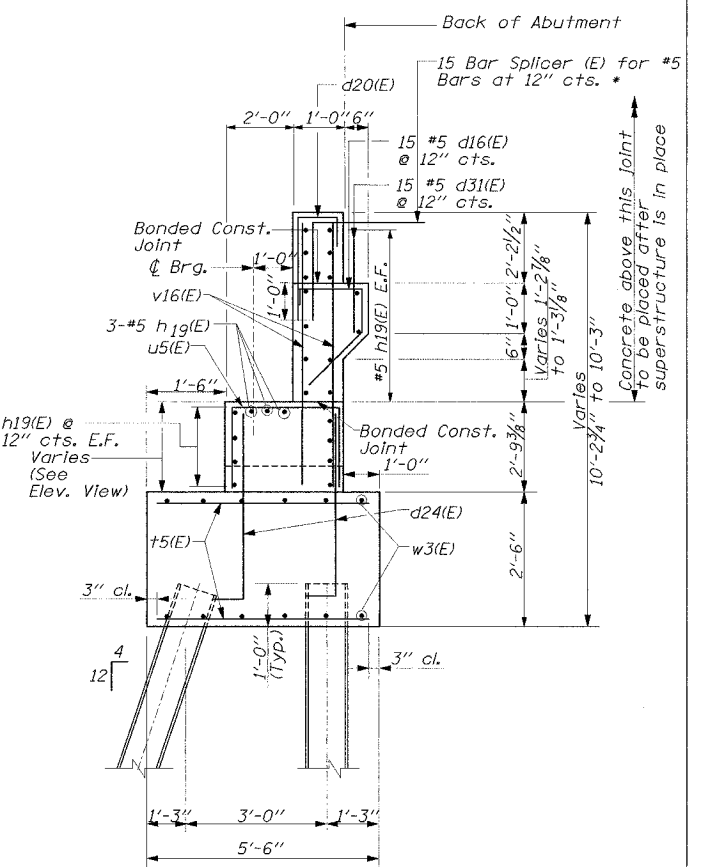
SECTION B-B



SECTION C-C

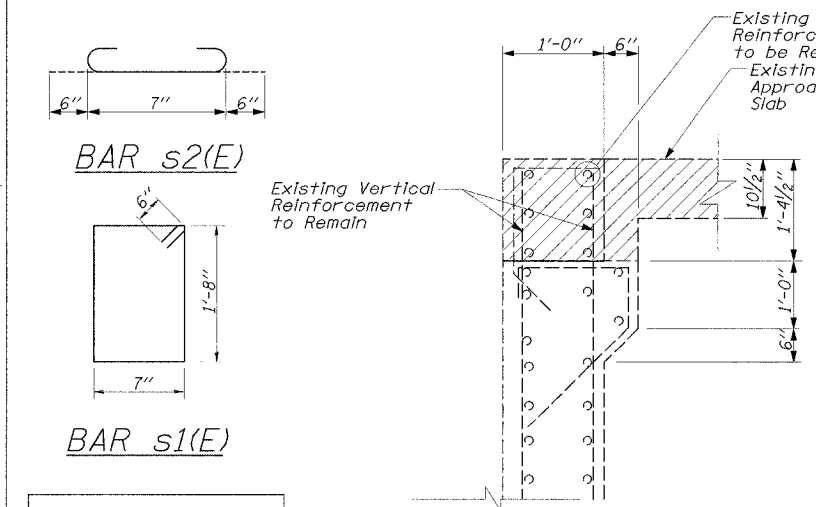


SECTION A-A  
(South Side)

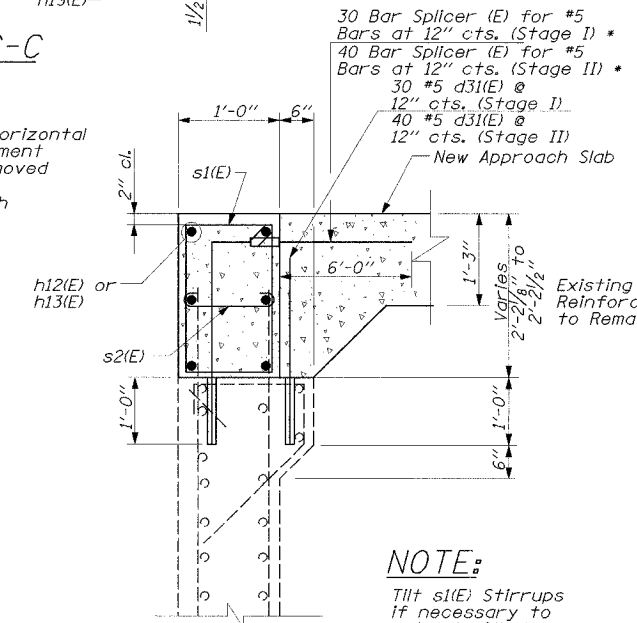


SECTION F-F  
(North Side)

**NOTE**  
Epoxy grout d15(E), d31(E) and the bar splicers for #5 bars in drilled holes according to Article 584 of the Standard Specifications. Space drilled holes to miss existing reinforcement.  
\* See Sheet SB-37 for backwall bent bar splicer detail

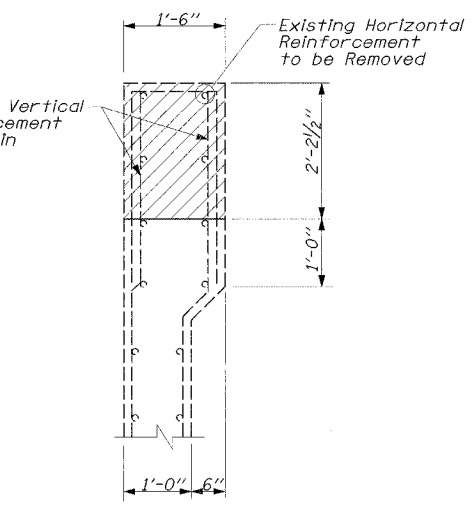


SECTION D-D REMOVAL

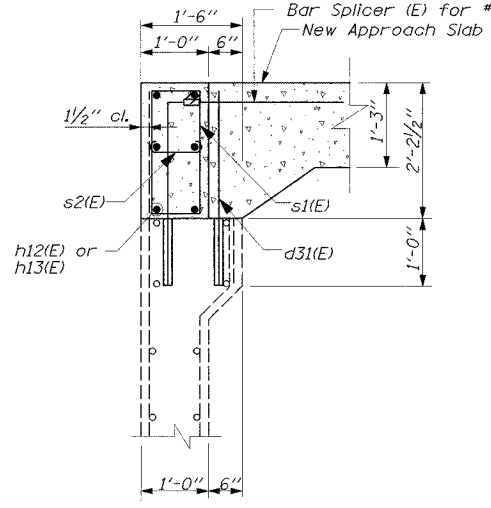


**NOTE:**  
Tilt s1(E) Stirrups if necessary to maintain 2" cl.

SECTION D-D REPLACEMENT



SECTION E-E REMOVAL  
(@ Existing Sidewalk)



SECTION E-E REPLACEMENT

**LEGEND**  
Concrete Removal

WEST ABUTMENT DETAILS  
WILLOW ROAD OVER  
DES PLAINES RIVER  
F.A.P. RTE. 305  
SECTION 2004-088B  
COOK COUNTY  
STA. 397+76.18  
STR. NO. 016-0530

EDWARDS AND KELCEY

DESIGNED EL  
CHECKED JAS  
DRAWN ABW  
CHECKED EL

12/28/2004 10:54:31 AM P:\000091\0\Acad\Advancor Contract\Mir\Structural\Des\Planes\Plan\_Sup\sls-plns20.rvt