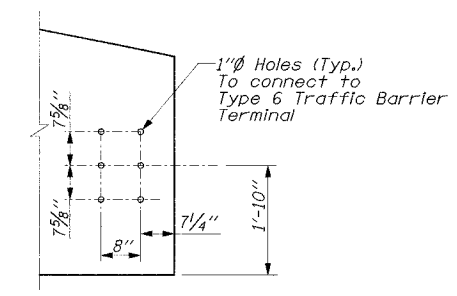


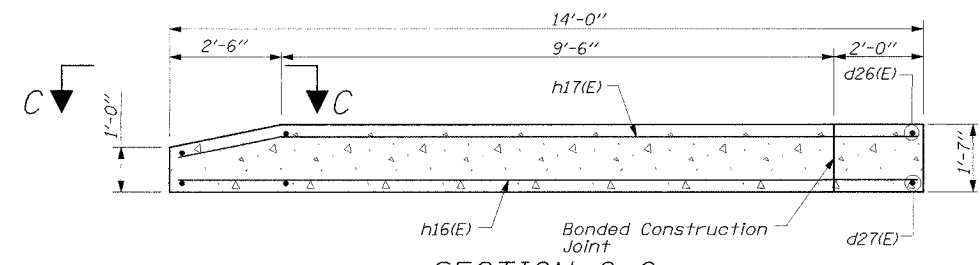
STATE OF ILLINOIS
DEPARTMENT OF TRANSPORTATION

CONTRACT 62829	F.A.P. RTE. NO.	SECTION	COUNTY	TOTAL SHEETS	SHEET NO.
	305	2004-088B	COOK	145	104
	FED. ROAD DIST. NO. 1	ILLINOIS	FED. AID PROJECT		

SHEET NO. SB-21
OF SHEETS SB-44

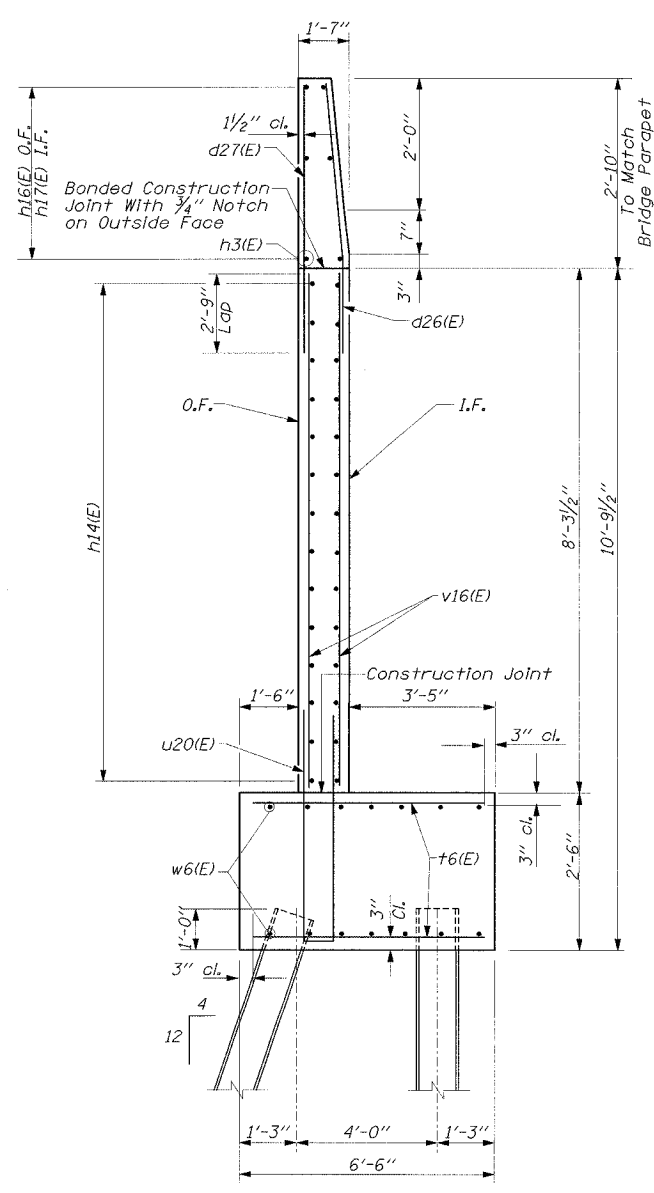


ELEVATION C-C

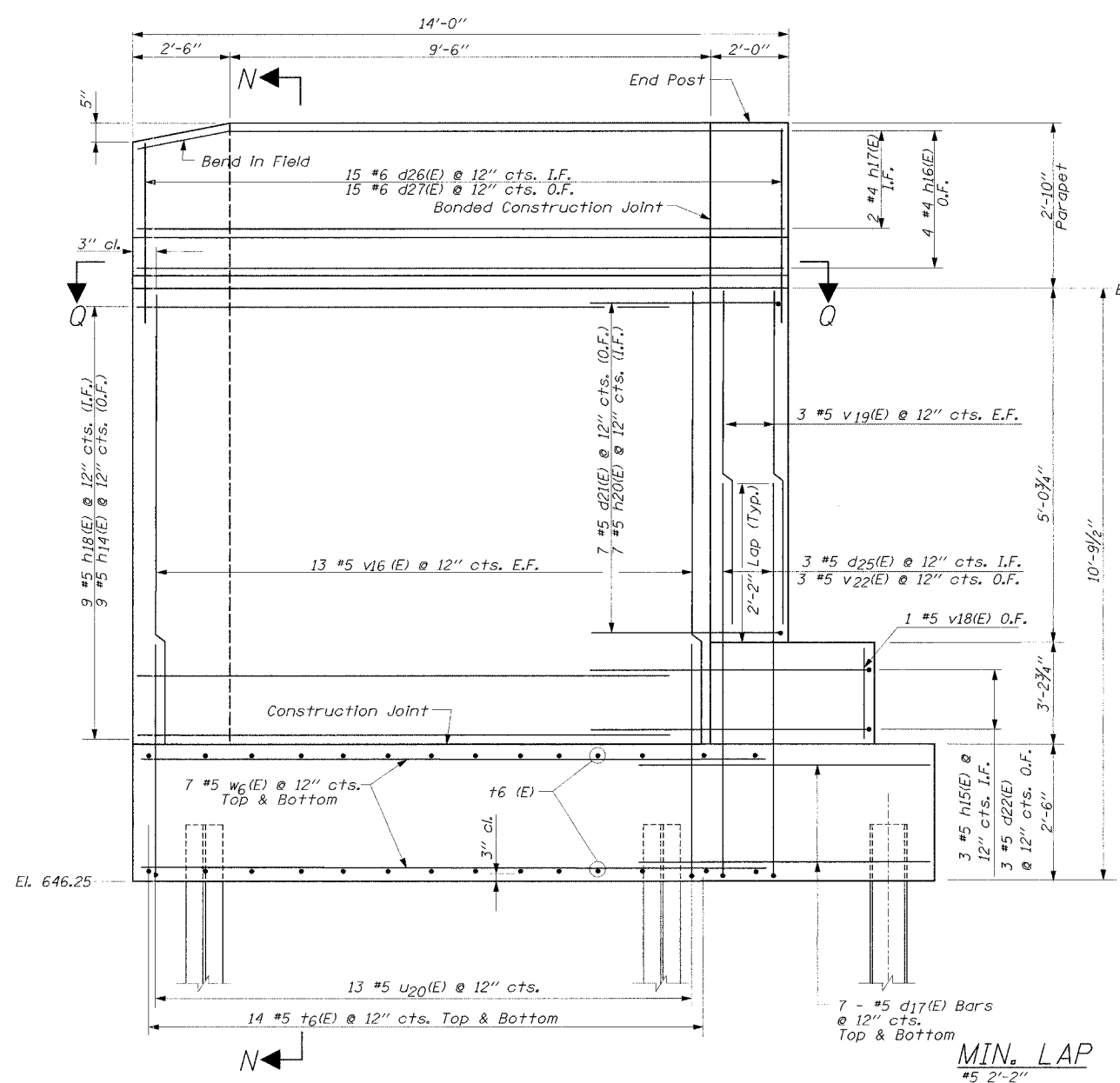


SECTION Q-Q

NOTE:
End post shall be poured after bridge parapet is in place. Form top surface to match parapet grade



SECTION N-N



SOUTH WINGWALL ELEVATION

NOTE:
For Bill of Material, See North Wingwall Details

- ABBREVIATIONS**
- F.F. - Front Face
 - B.F. - Back Face
 - E.F. - Each Face
 - O.F. - Outer Face
 - I.F. - Inner Face
 - T - Top
 - B - Bottom

WEST ABUTMENT
SOUTH WINGWALL DETAILS
WILLOW ROAD OVER
DES PLAINES RIVER
F.A.P. RTE. 305
SECTION 2004-088B
COOK COUNTY
STA. 397+76.18
STR. NO. 016-0530

EDWARDS AND KELCEY

DESIGNED	EL
CHECKED	JAS
DRAWN	ABW
CHECKED	EL

12/28/2004 05:45:59 AM P:\020009\01\Road\Advance_Contract\AdvStr\Structural\Uses\PierCaps-Plan_Sel\vas.pln\$ZL.dwg