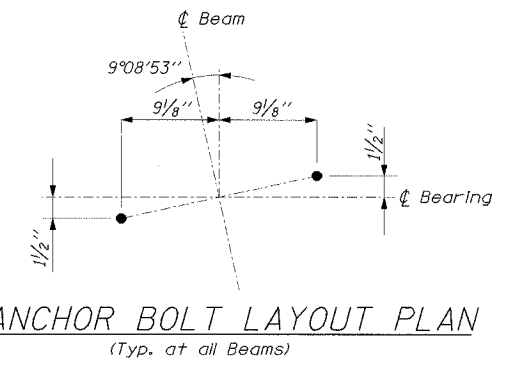
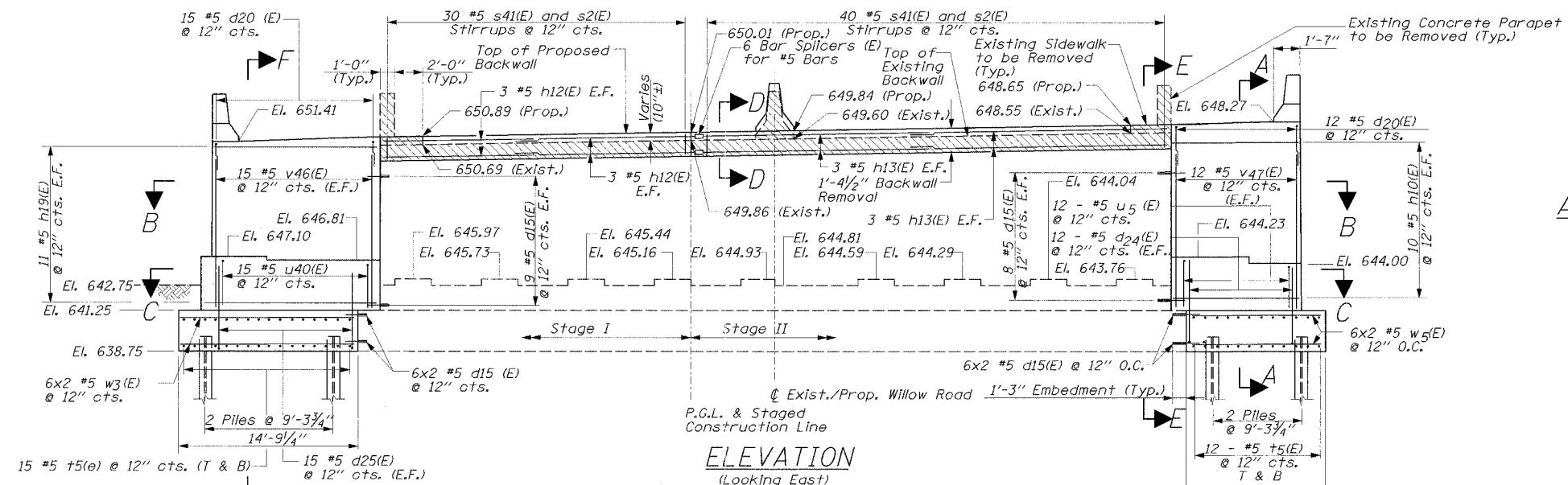
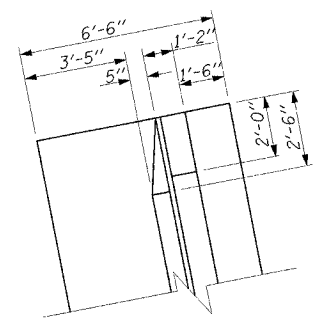
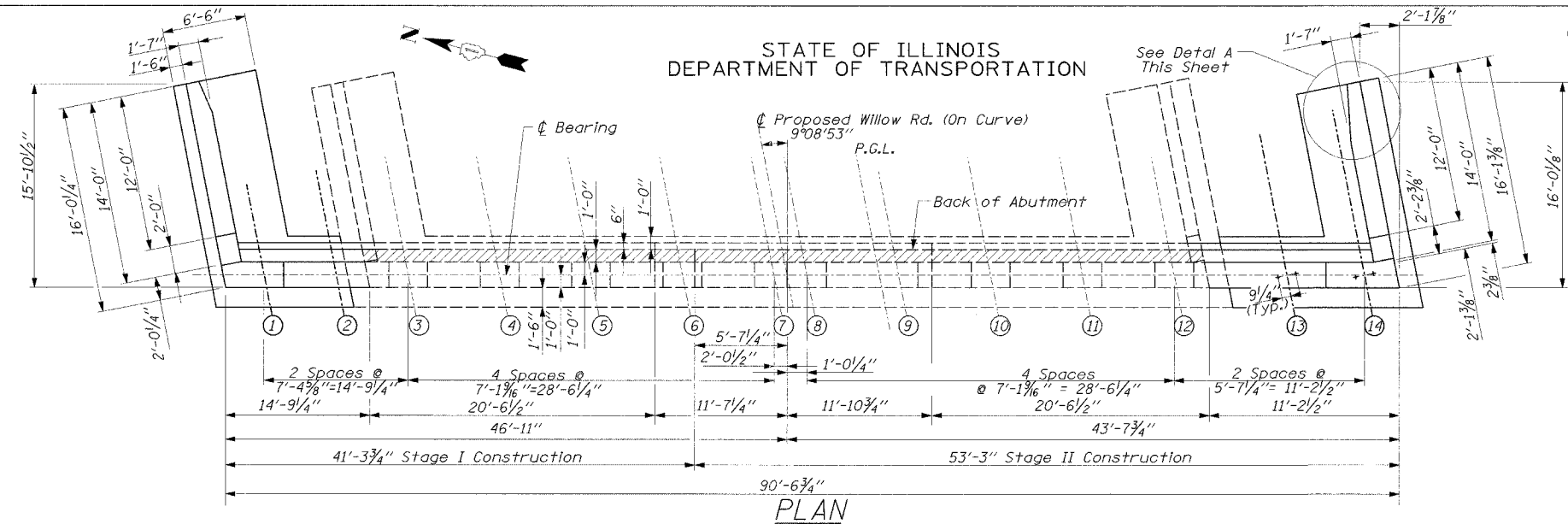


10/11/40 AM
01/17/2005

P:\000003\04\Road\Adv\Contract\Adv\Structural\Des\Files\Plan_S&F\Adv-plns23.dwg

**STATE OF ILLINOIS
DEPARTMENT OF TRANSPORTATION**

CONTRACT 62829	F.A.P. RTE. NO. 305	SECTION 2004-088B	COUNTY COOK	TOTAL SHEETS 145	SHEET NO. 106	SHEET NO. SB-23 OF SHEETS SB-44
FED. ROAD DIST. NO. 1	ELLINGBO	FED. AID PROJECT				

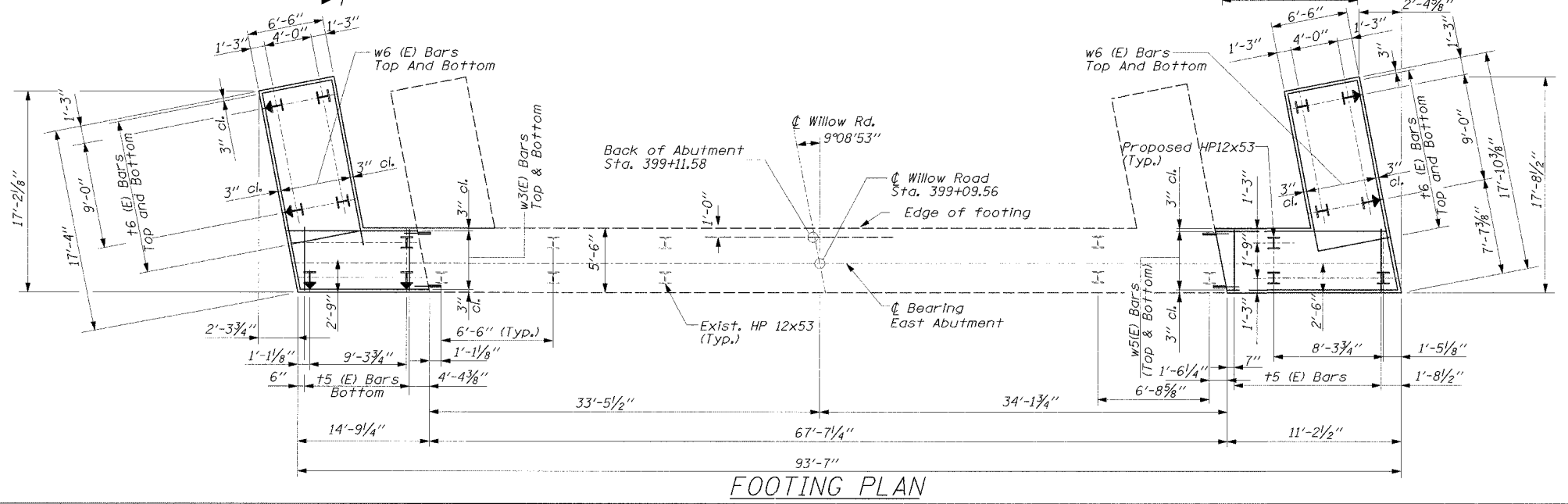


- NOTES:**
1. See Sheet SB-26 for Bill of Materials. Work with sheets SB-24 Through SB-26.
 2. Epoxy grout d15(E) bars in drilled holes according to Article 584 of the Standard Specifications. Space drilled holes to miss existing reinforcement.
 3. Space reinforcement in cap to miss anchor bolts.
 4. Pour steps monolithically with cap.

NEW PILE DATA
 Type: HP 12x53
 Capacity: 30 Tons (Driven to 45 Tons)
 Drive test pile to 55 Ton bearing
 Estimated Length: 38' South End
 44' North End
 No. Required: 14 (Including 1 Test Pile)

- LEGEND**
- Existing Pile
 - I Vertical Pile
 - Battered Pile (Batter 4" in 12" in direction of arrow)
 - Concrete Removal

**EAST ABUTMENT
WILLOW ROAD OVER
DES PLAINES RIVER
F.A.P. RTE. 305
SECTION 2004-088B
COOK COUNTY
STA. 397+76.18
STR. NO. 016-0530**



DESIGNED	EL
CHECKED	JAS
DRAWN	ABW
CHECKED	EL

EDWARDS AND KELCEY