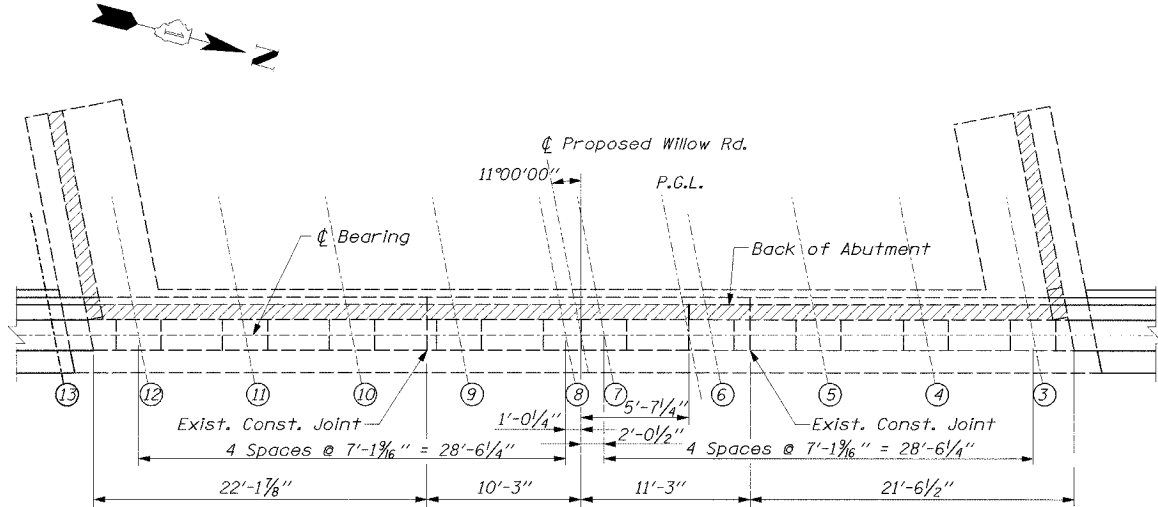


STATE OF ILLINOIS  
DEPARTMENT OF TRANSPORTATION

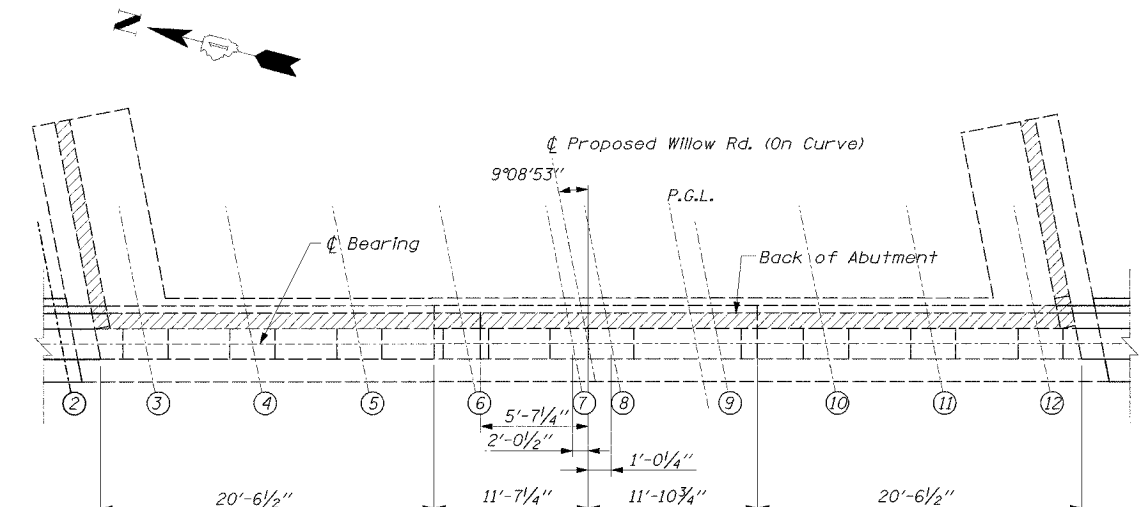
CONTRACT 62829

FULL SCALE NO.	SECTION	COUNTY	TOTAL SHEETS	SHEET NO.
305	2004-088B	COOK	145	114
FED. ROAD DIST. NO. 1	ILLINOIS	FED. AID PROJECT-		

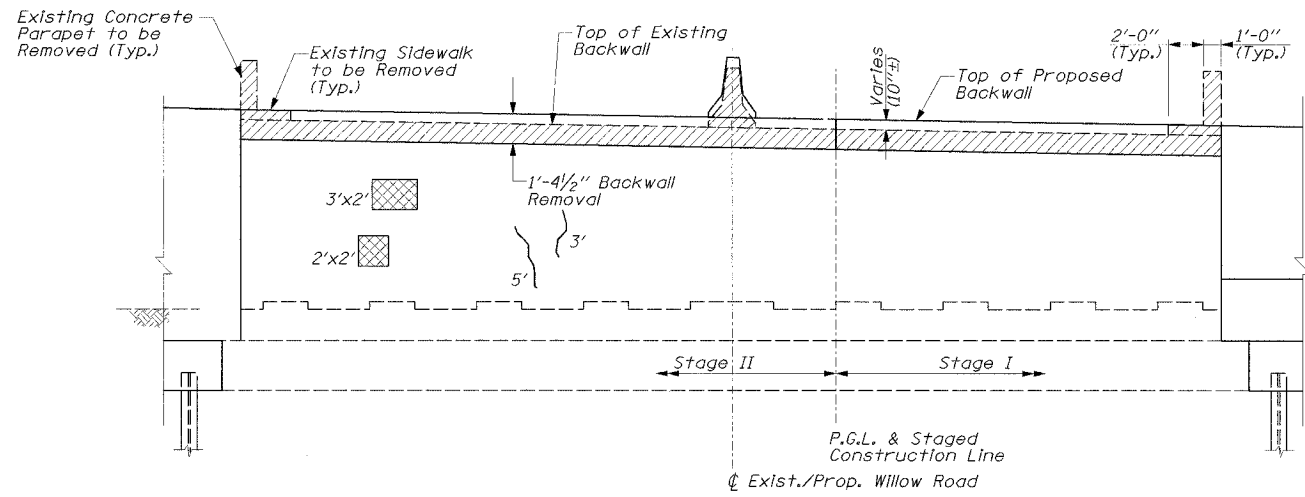
SHEET NO. SB-31  
OF SHEETS SB-44



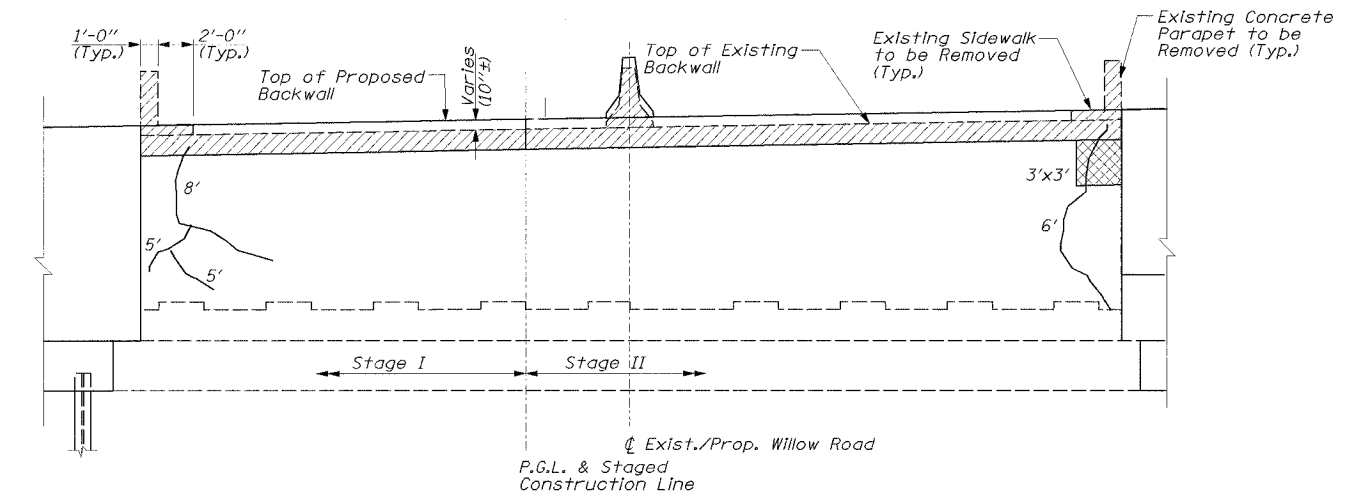
WEST ABUTMENT PLAN



EAST ABUTMENT PLAN



WEST ABUTMENT ELEVATION  
(Looking West)



EAST ABUTMENT ELEVATION  
(Looking East)

LEGEND

- Concrete Removal
- Formed Concrete Repair  
Depth Equal to or Less Than 5"
- Epoxy Crack Sealing
- Hairline Crack - Not to be Sealed

NOTE:  
Crack widths are 1/8" ± 1/16" unless otherwise noted.

BILL OF MATERIALS

ITEM	UNIT	QUANTITY
Formed Concrete Repair (Depth Equal to or Less Than 5")	Sq. Ft.	19
Epoxy Crack Sealing	Foot	32

ABUTMENT REPAIRS  
WILLOW ROAD OVER  
DES PLAINES RIVER  
F.A.P. RTE. 305  
SECTION 2004-088B  
COOK COUNTY  
STA. 397+76.18  
STR. NO. 016-0530

EDWARDS AND KELCEY

DESIGNED	EL
CHECKED	JAS
DRAWN	ABW
CHECKED	EL

12/28/2004 11:03:10 AM F:\00009\04\0000\Advancoe Contract\Map\Structural\Doc\Profiles\Plan\_Sp\des-plns31.dwg