

12/28/2004 10:41:12 AM

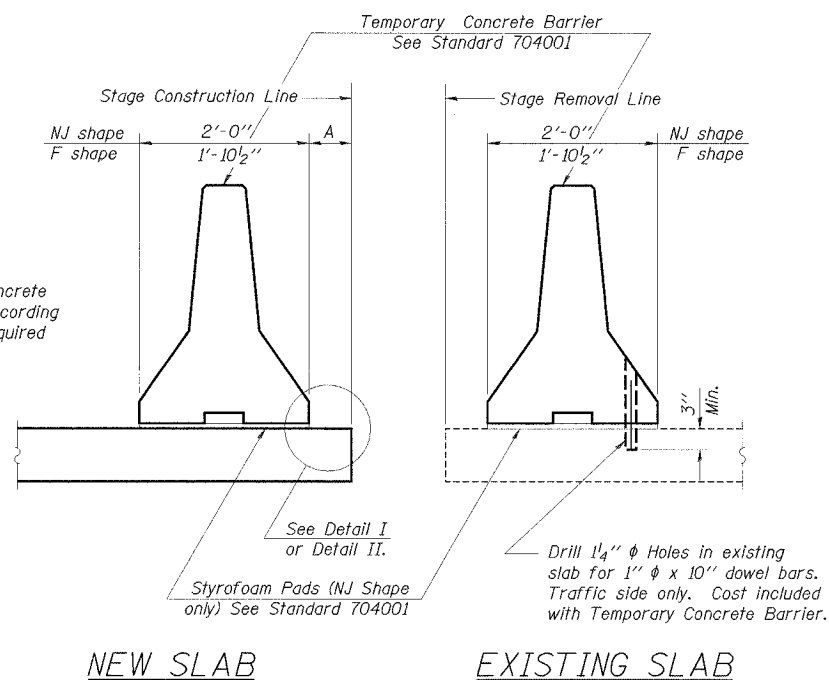
STATE OF ILLINOIS  
DEPARTMENT OF TRANSPORTATION

CONTRACT 62829

P.A.L. RTE. NO.	SECTION	COUNTY	TOTAL SHEETS	SHEET NO.
305	2004-088B	COOK	145	116
FED. ROAD DIST. NO. 1	ILLINOIS	FED. AID PROJECT:		

SHEET NO. SB-33  
OF SHEETS SB-44

When "A" is 3'-6" or less, the temporary concrete barrier shall be anchored to the new slab according to Detail I or Detail II. No anchorage is required when "A" is greater than 3'-6".



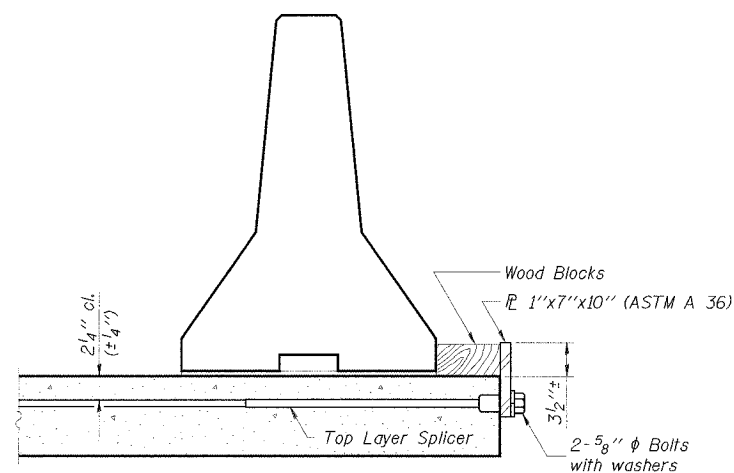
NEW SLAB

EXISTING SLAB

SECTIONS THRU SLAB

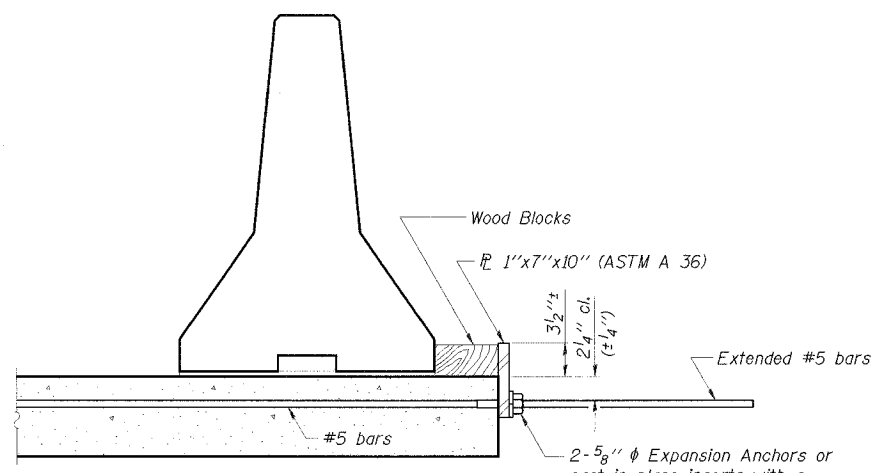
NOTES

- Detail I - With Bar Splicer or Couplers:  
Connect one (1) 1"x7"x10" steel  $\bar{P}$  to the top layer of couplers with 2-5/8"  $\phi$  bolts screwed to coupler at approximate  $\bar{C}$  of each barrier panel.
- Detail II - With Extended Reinforcement Bars:  
Connect one (1) 1"x7"x10" steel  $\bar{P}$  to the concrete slab with 2-5/8"  $\phi$  Expansion Anchors or cast in place inserts spaced between the top layer of reinforcement at approximate  $\bar{C}$  of each barrier panel.
- Cost of anchorage is included with Temporary Concrete Barrier.



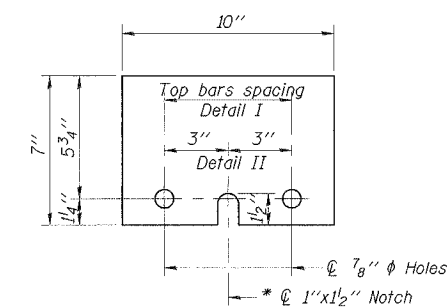
DETAIL I

The 1"x7"x10" Plate shall not be removed until Stage II Construction forms and reinforcement bars are in place.



DETAIL II

The 1"x7"x10" Plate shall not be removed until Stage II Construction forms and all reinforcement bars are in place and the concrete is ready to be placed.



$\bar{P}$  1"x7"x10"  
\* Required only with Detail II

DESIGNED	EL
CHECKED	JAS
DRAWN	ABW
CHECKED	EL

R-27 9-01-03

TEMPORARY BARRIER  
WILLOW ROAD OVER  
DES PLAINES RIVER  
F.A.P. RTE. 305  
SECTION 2004-088B  
COOK COUNTY  
STA. 397+76.18  
STR. NO. 016-0530

EDWARDS AND KELCEY

F:\DDC\03\014\edw\Advntech\_Confract\AdvStructur\on DesPlaines-Plan\_Sch\Advntech\rs3.dwg