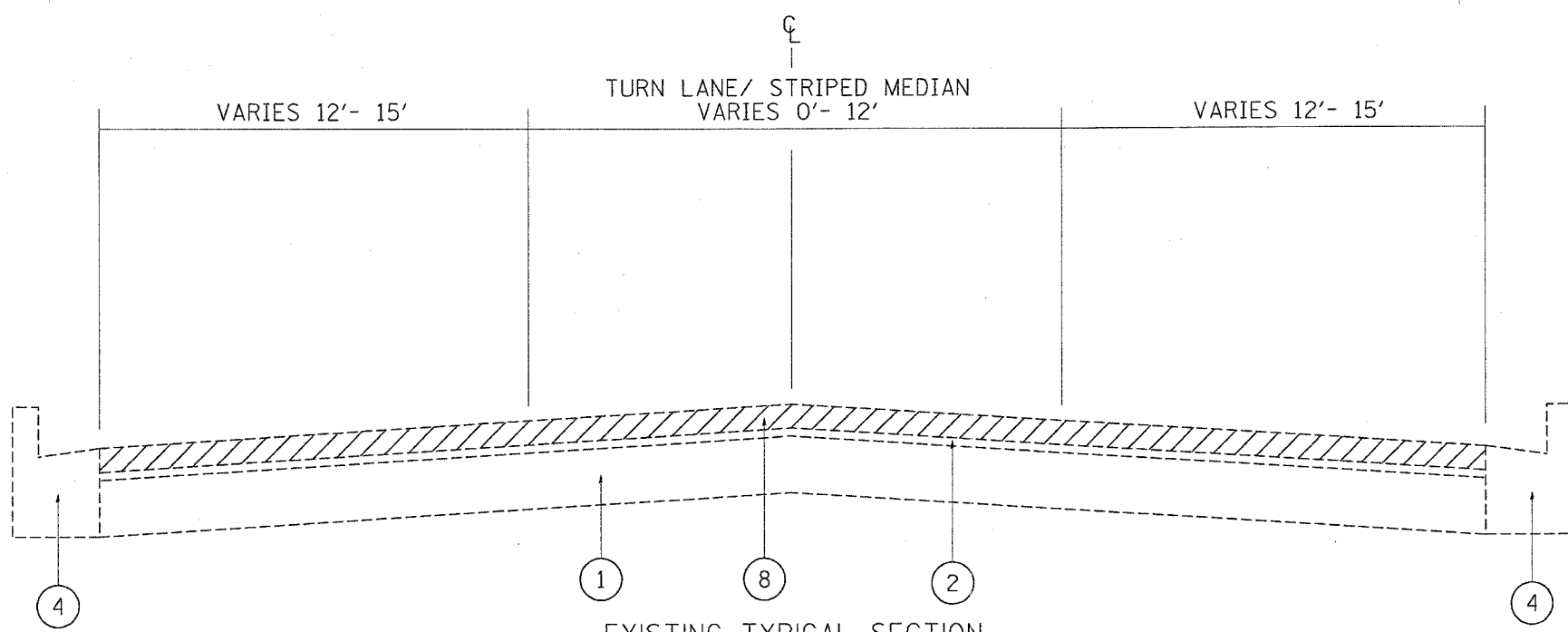
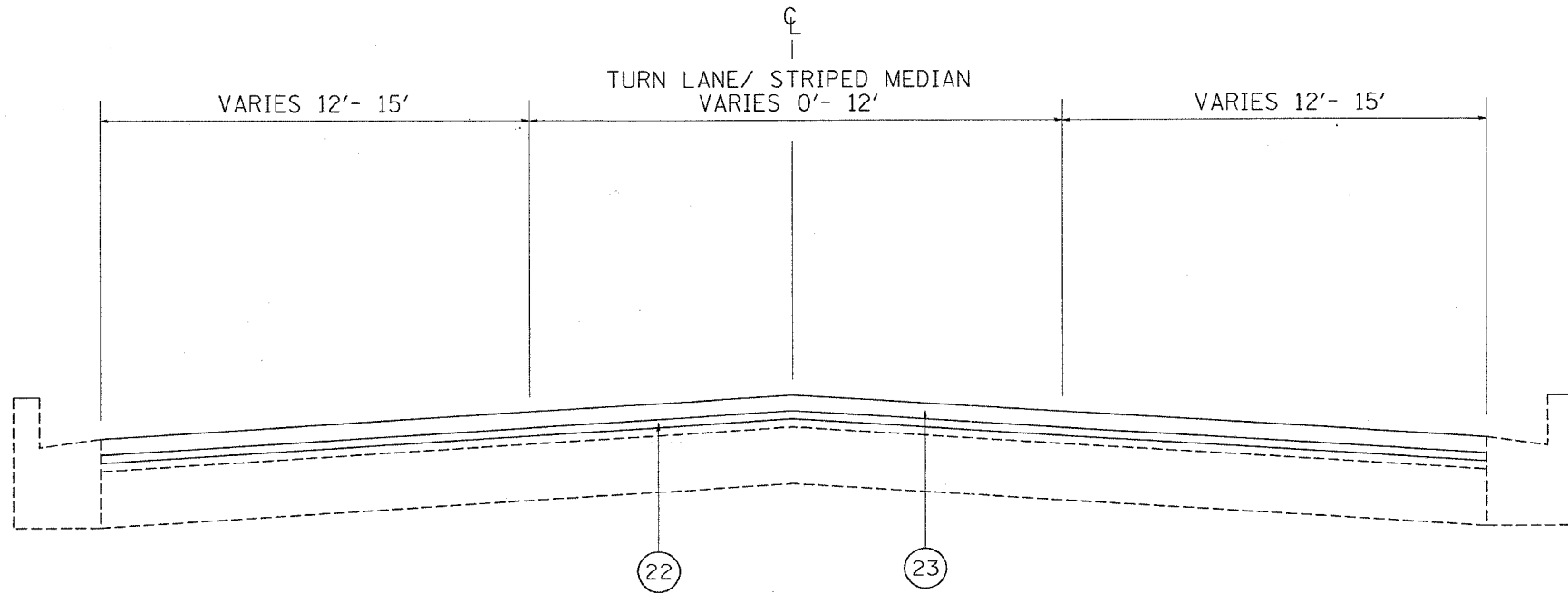


F.A. RTE. *	SECTION 0913.1	COUNTY COOK	TOTAL SHEETS 61	SHEET NO. 6
STA. _____		TO STA. _____		
FED. ROAD DIST. NO. 1 ILLINOIS FED. AID PROJECT				
* FAP 305/ FAU 1285				
CONTRACT NO. 62849				



EXISTING TYPICAL SECTION
PALATINE ROAD
STA. 46+87 TO STA. 96+94
(NOT TO SCALE)



PROPOSED TYPICAL SECTION
PALATINE ROAD
STA. 46+87 TO STA. 96+94
(NOT TO SCALE)

- LEGEND**
- ① EXISTING P.C.C. PAVEMENT, 10"
 - ② EXISTING BITUMINOUS OVERLAY, 4"
 - ③ EXISTING CONCRETE MEDIAN
 - ④ EXISTING CURB AND GUTTER
 - ⑤ EXISTING BITUMINOUS SHOULDER
 - ⑥ EXISTING SIDEWALK
 - ⑦ PROPOSED MEDIAN REMOVAL (SPECIAL)
 - ⑧ PROPOSED BITUMINOUS SURFACE REMOVAL, 2 1/2"
 - ⑨ PROPOSED PORTLAND CEMENT CONCRETE SURFACE REMOVAL (VARIABLE DEPTH)- (SEE "BITUMINOUS TAPER AT EDGE OF P.C.C. PAVEMENT" DETAIL)
 - ⑩ PROPOSED COMBINATION CURB AND GUTTER REMOVAL
 - ⑪ PROPOSED CURB REMOVAL
 - ⑫ PROPOSED CONCRETE MEDIAN SURFACE REMOVAL
 - ⑬ PROPOSED BITUMINOUS MEDIAN SURFACE REMOVAL
 - ⑭ PROPOSED EARTH EXCAVATION
 - ⑮ PROPOSED SUB-BASE GRANULAR MATERIAL, 4"
 - ⑯ PROPOSED CONCRETE MEDIAN, TYPE SB-6.6
 - ⑰ PROPOSED COMBINATION CURB AND GUTTER, TYPE B-6.6
 - ⑱ PROPOSED COMBINATION CURB AND GUTTER, TYPE B-6.12
 - ⑲ PROPOSED CONCRETE MEDIAN SURFACE, 4"
 - ⑳ PROPOSED TOPSOIL FURNISH AND PLACE, 24"
 - ㉑ PROPOSED SODDING, SALT TOLERANT, SEEDING, CLASS 5 MODIFIED AND EROSION CONTROL BLANKET (SEE DETAIL "C")
 - ㉒ PROPOSED POLYMERIZED LEVELING BINDER (MACHINE METHOD), SUPERPAVE, IL-4.75, N50, 3/4"
 - ㉓ PROPOSED POLYMERIZED BITUMINOUS CONCRETE SURFACE COURSE, SUPERPAVE, MIX "F", N90, 1 3/4"
 - ㉔ PROPOSED BITUMINOUS CONCRETE SURFACE COURSE, SUPERPAVE, MIX "D", N50, 1 1/2"
 - ㉕ PROPOSED PAVEMENT REMOVAL (PAID FOR AS MEDIAN REMOVAL (SPECIAL))
 - ㉖ PROPOSED TIE BARS #6 @ 24" O-C (INCLUDED IN THE BID PRICE OF COMBINATION CURB AND GUTTER, TYPE B-6.12 OR SB-6.12)

REVISIONS	
NAME	DATE

ILLINOIS DEPARTMENT OF TRANSPORTATION
FAP 305/ FAU 1285
(PALATINE ROAD)
CEDAR STREET TO E/O US 12
TYPICAL SECTIONS

SCALE: VERT. _____
HORIZ. _____
DATE 12/13/2004

DRAWN BY _____
CHECKED BY _____