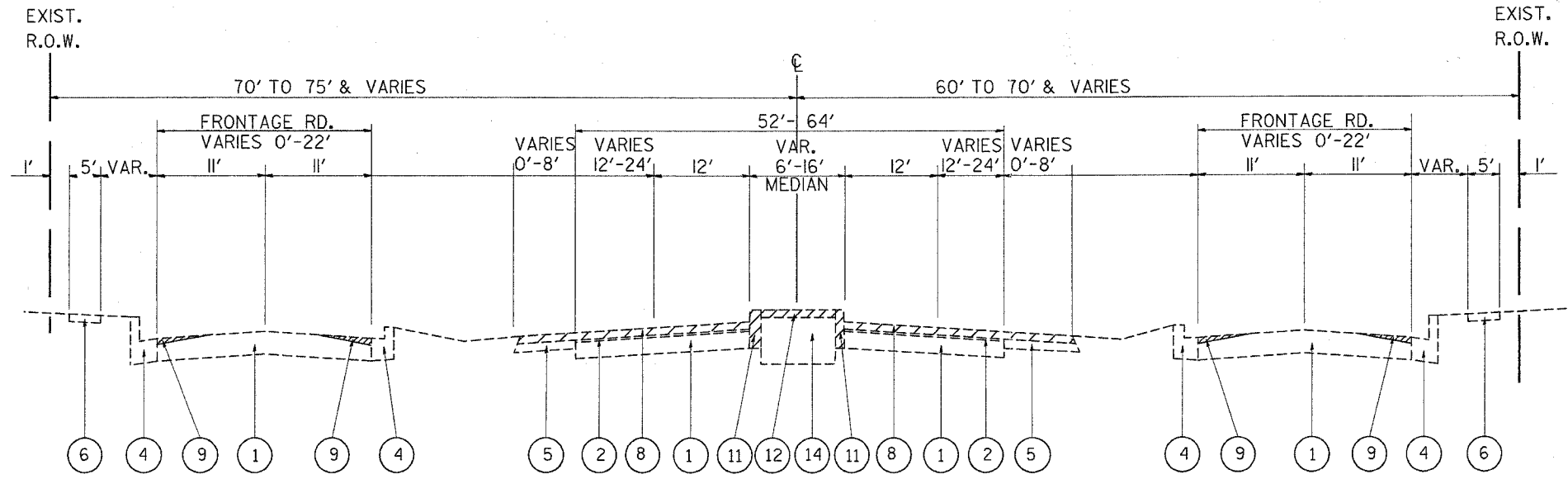


F.A. RTE. *	SECTION 0913.1	COUNTY COOK	TOTAL SHEETS 61	SHEET NO. 11
STA.	TO STA.			
FED. ROAD DIST. NO. 1 ILLINOIS FED. AID PROJECT				

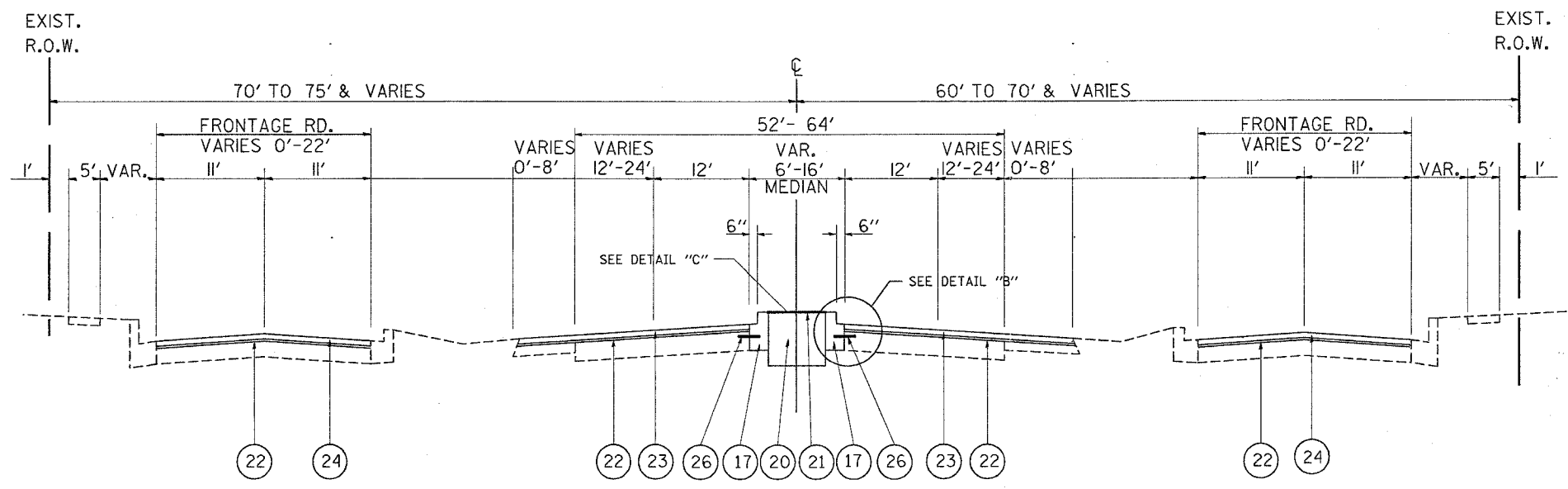
* FAP 305/ FAU 1285
CONTRACT NO. 62849

LEGEND

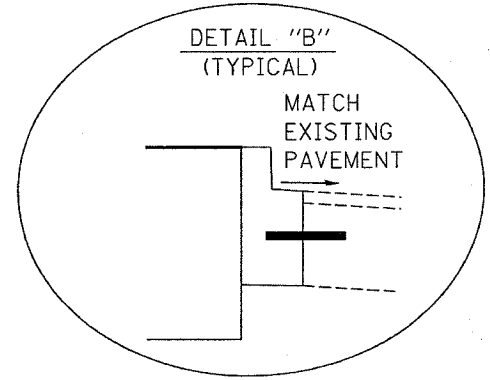
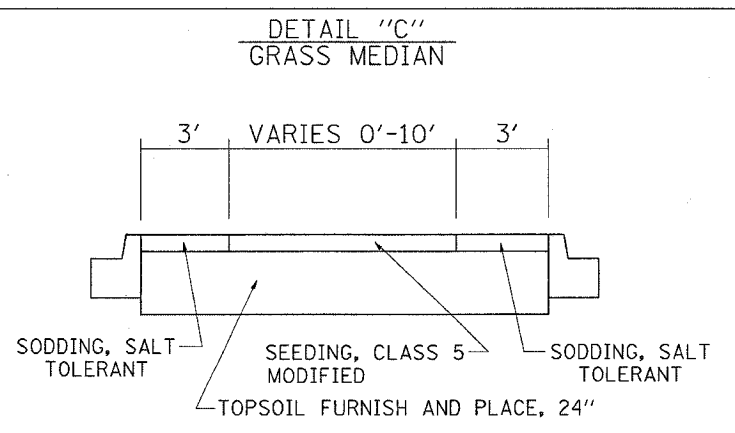
- ① EXISTING P.C.C. PAVEMENT, 10"
- ② EXISTING BITUMINOUS OVERLAY, 4"
- ③ EXISTING CONCRETE MEDIAN
- ④ EXISTING CURB AND GUTTER
- ⑤ EXISTING BITUMINOUS SHOULDER
- ⑥ EXISTING SIDEWALK
- ⑦ PROPOSED MEDIAN REMOVAL (SPECIAL)
- ⑧ PROPOSED BITUMINOUS SURFACE REMOVAL, 2 1/2"
- ⑨ PROPOSED PORTLAND CEMENT CONCRETE SURFACE REMOVAL (VARIABLE DEPTH)- (SEE "BITUMINOUS TAPER AT EDGE OF P.C.C. PAVEMENT" DETAIL)
- ⑩ PROPOSED COMBINATION CURB AND GUTTER REMOVAL
- ⑪ PROPOSED CURB REMOVAL
- ⑫ PROPOSED CONCRETE MEDIAN SURFACE REMOVAL
- ⑬ PROPOSED BITUMINOUS MEDIAN SURFACE REMOVAL
- ⑭ PROPOSED EARTH EXCAVATION
- ⑮ PROPOSED SUB-BASE GRANULAR MATERIAL, 4"
- ⑯ PROPOSED CONCRETE MEDIAN, TYPE SB-6.6
- ⑰ PROPOSED COMBINATION CURB AND GUTTER, TYPE B-6.6
- ⑱ PROPOSED COMBINATION CURB AND GUTTER, TYPE B-6.12
- ⑲ PROPOSED CONCRETE MEDIAN SURFACE, 4"
- ⑳ PROPOSED TOPSOIL FURNISH AND PLACE, 24"
- ㉑ PROPOSED SODDING, SALT TOLERANT, SEEDING, CLASS 5 MODIFIED AND EROSION CONTROL BLANKET (SEE DETAIL "C")
- ㉒ PROPOSED POLYMERIZED LEVELING BINDER (MACHINE METHOD), SUPERPAVE, IL-4.75, N50, 3/4"
- ㉓ PROPOSED POLYMERIZED BITUMINOUS CONCRETE SURFACE COURSE, SUPERPAVE, MIX "F", N90, 1 3/4"
- ㉔ PROPOSED BITUMINOUS CONCRETE SURFACE COURSE, SUPERPAVE, MIX "D", N50, 1 1/2"
- ㉕ PROPOSED PAVEMENT REMOVAL (PAID FOR AS MEDIAN REMOVAL (SPECIAL))
- ㉖ PROPOSED TIE BARS #6 @ 24" O-C (INCLUDED IN THE BID PRICE OF COMBINATION CURB AND GUTTER, TYPE B-6.12 OR SB-6.12)



**EXISTING TYPICAL SECTION
PALATINE ROAD
STA. 184+27 TO STA. 202+45**



**PROPOSED TYPICAL SECTION
PALATINE ROAD
STA. 184+27 TO STA. 202+45**



REVISIONS	
NAME	DATE

ILLINOIS DEPARTMENT OF TRANSPORTATION
FAP 305/ FAU 1285
(PALATINE ROAD)
CEDAR STREET TO E/O US 12
TYPICAL SECTIONS

SCALE: VERT. _____
HORIZ. _____
DATE 12/13/2004

DRAWN BY _____
CHECKED BY _____