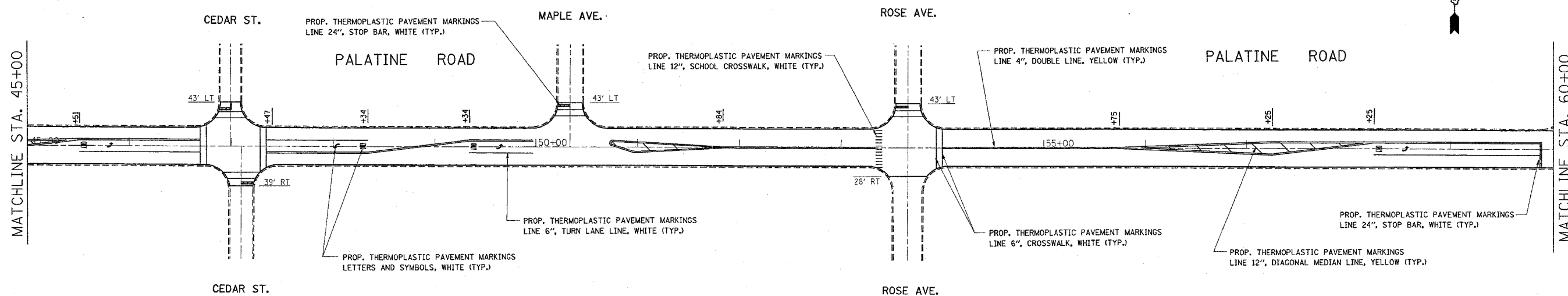
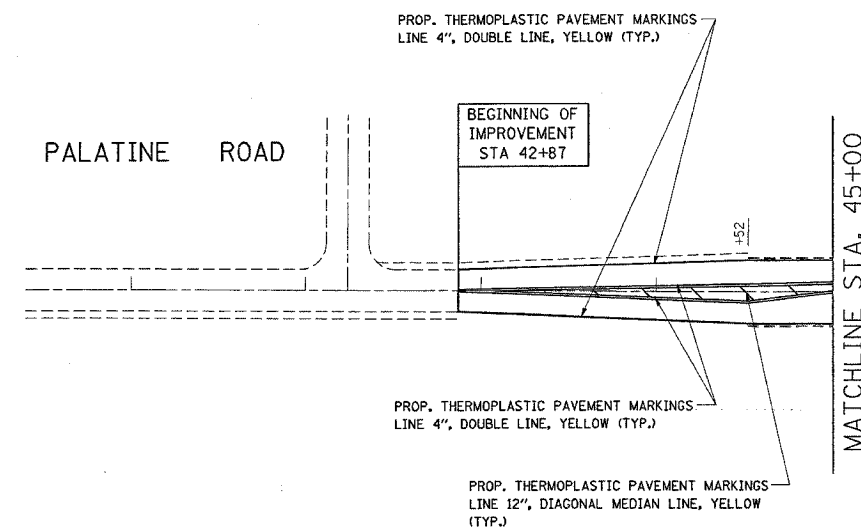


F.A. RTE. #	SECTION	COUNTY	TOTAL SHEETS	SHEET NO.
*	0913.1	COOK	61	27
STA.		TO STA.		
FED. ROAD DIST. NO. 1		ILLINOIS FED. AID PROJECT		

* FAP 305/ FAU 1285

CONTRACT NO. 62849



REVISIONS	
NAME	DATE

ILLINOIS DEPARTMENT OF TRANSPORTATION
 FAP 305/ FAU 1285
 (PALATINE ROAD)
 CEDAR STREET TO EAST OF US 12
 PROPOSED PAVEMENT
 MARKING PLANS

SCALE: VERT. _____
 HORIZ. _____
 DATE 12/16/2004

DRAWN BY _____
 CHECKED BY _____