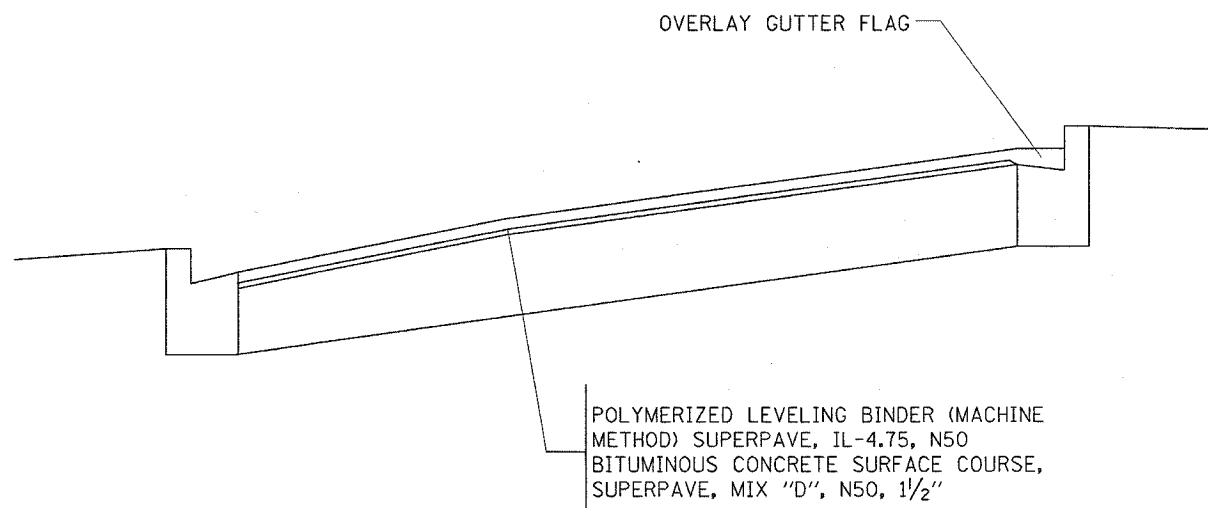
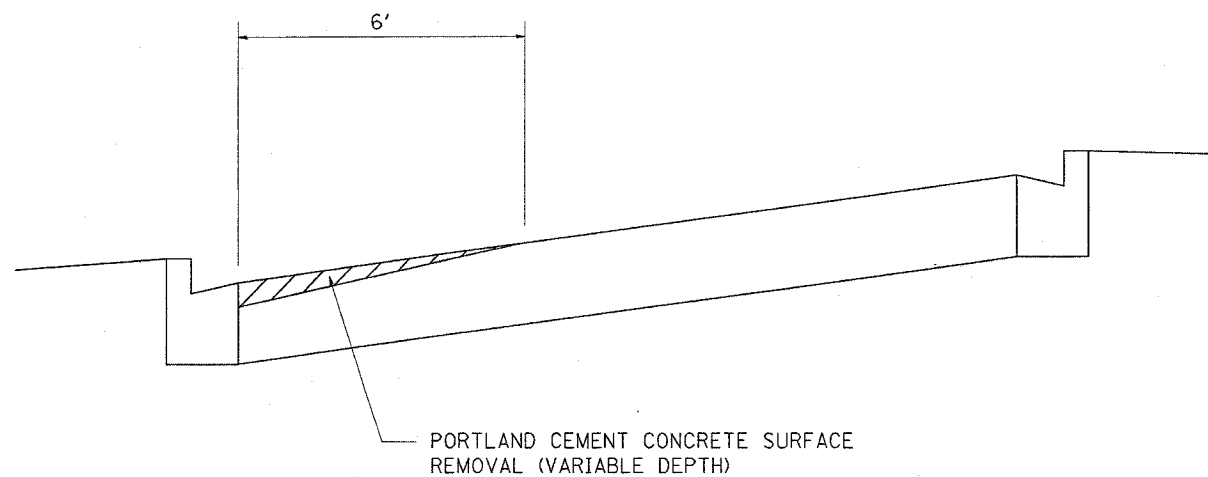
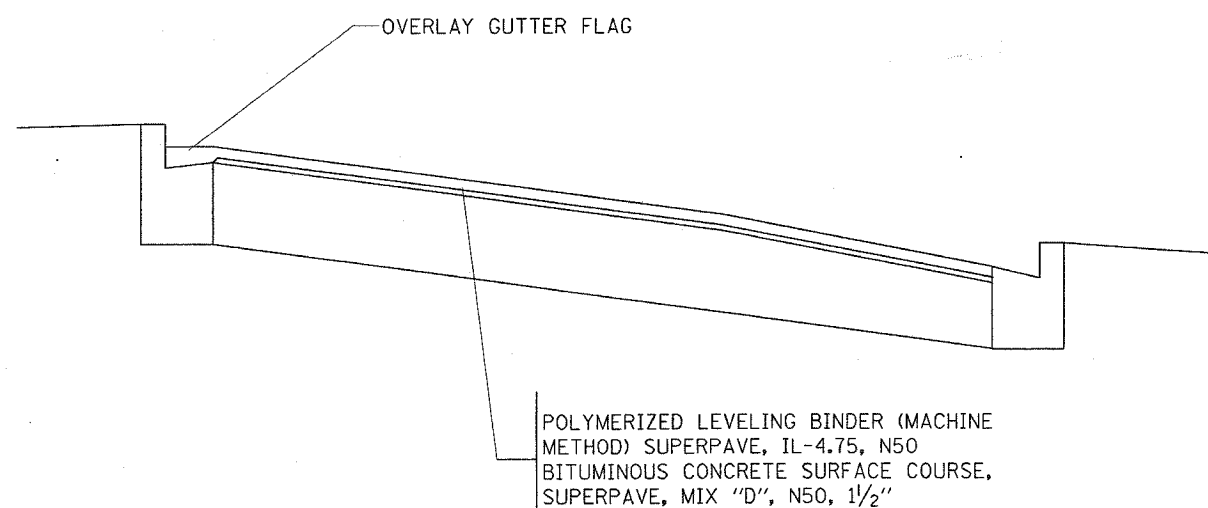
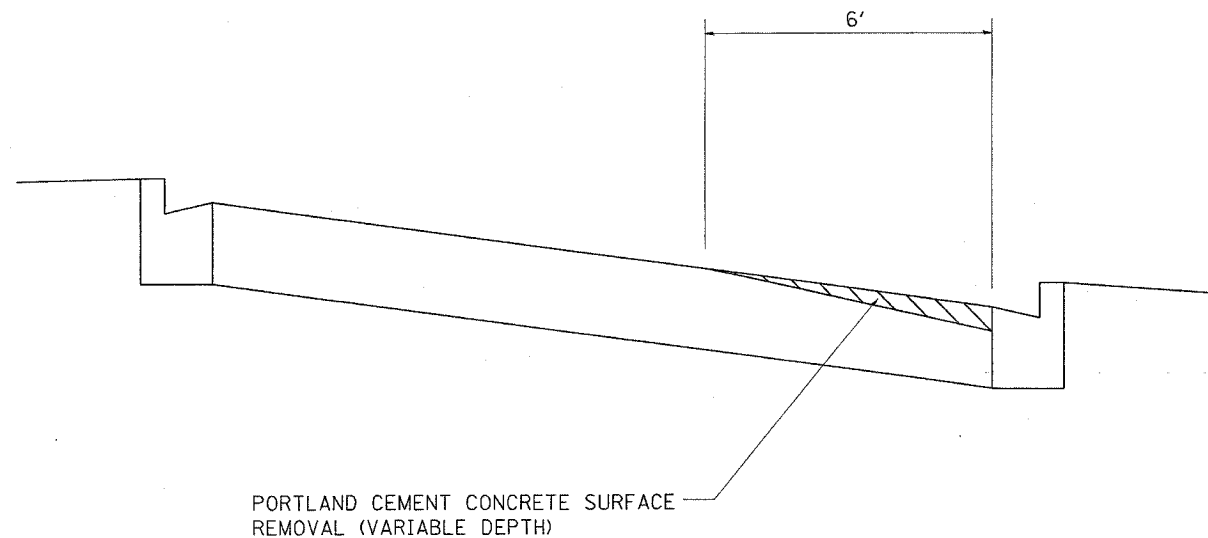


F.A. RTE.	SECTION	COUNTY	TOTAL SHEETS	SHEET NO.
*	0913.1	COOK	61	46
STA.		TO STA.		
FED. ROAD DIST. NO.		ILLINOIS FED. AID PROJECT		
* FAP 305/ FAU 1285				
CONTRACT NO. 62849				



RIGHT SUPER-ELEVATION  
RESURFACING DETAIL



LEFT SUPER-ELEVATION  
RESURFACING DETAIL

REVISIONS	
NAME	DATE

ILLINOIS DEPARTMENT OF TRANSPORTATION  
 FAP 305/ FAU 1285  
 (PALATINE ROAD)  
 SUPER-ELEVATION RESURFACING  
 DETAIL

SCALE: VERT. \_\_\_\_\_  
 HORIZ. \_\_\_\_\_  
 DATE \_\_\_\_\_

DRAWN BY \_\_\_\_\_  
 CHECKED BY \_\_\_\_\_

PLOT DATE = 12/16/2004  
 FILE NAME = c:\p1\work\1222284\1222284.dwg  
 PLOT SCALE = 1/8" = 1'-0"  
 REFERENCE = #REF#