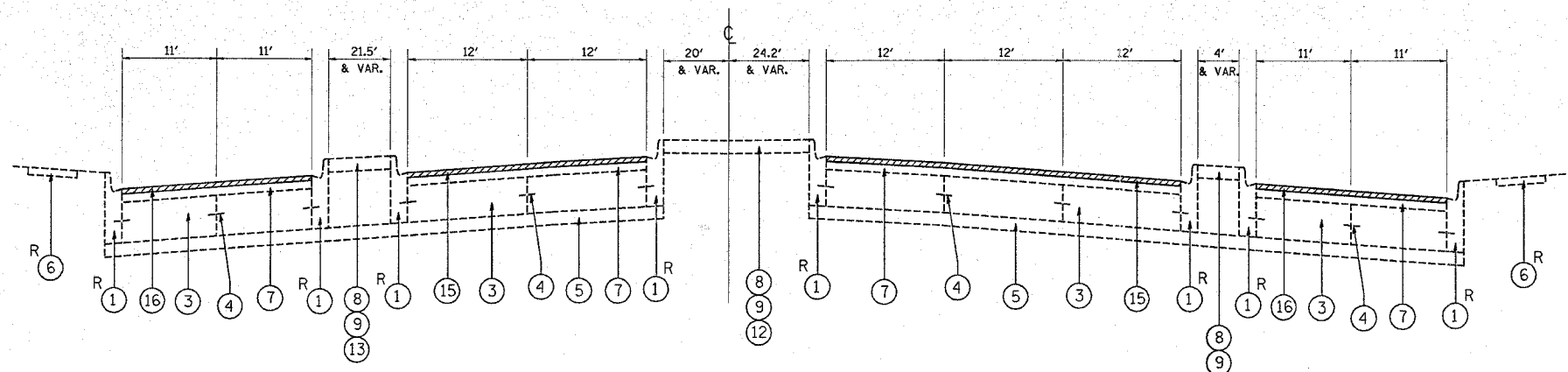
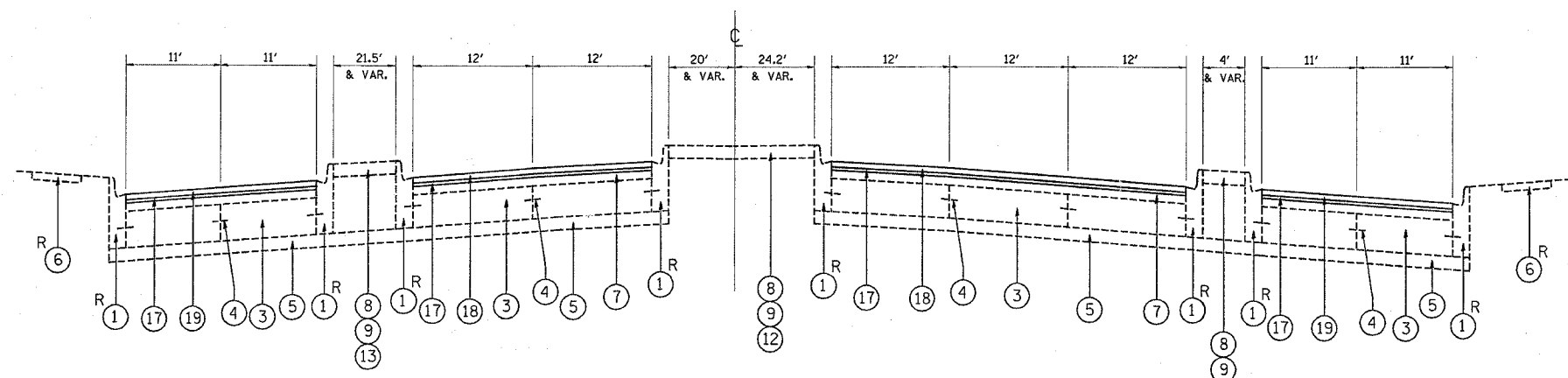


F. A. P. NO.	SECTION	COUNTY	TOTAL SHEETS	SHEET NO.
305	0913.1 RS-1	COOK	52	9
STA.	+	TO STA.	+	
FED. ROAD DIST. NO. 1	BLK.	FED. AID PROJECT		

CONTRACT NO.: 62850



EXISTING TYPICAL SECTION
 STA. 269+63 TO STA. 275+29 (WB) MAINLINE
 STA. 269+63 TO STA. 278+65 (EB) MAINLINE
 STA. 269+63 TO STA. 278+34 (EB) FRONTAGE
 STA. 269+63 TO STA. 279+38 (WB) FRONTAGE



PROPOSED TYPICAL SECTION
 STA. 269+63 TO STA. 275+29 (WB) MAINLINE
 STA. 269+63 TO STA. 278+65 (EB) MAINLINE
 STA. 269+63 TO STA. 278+34 (EB) FRONTAGE
 STA. 269+63 TO STA. 279+38 (WB) FRONTAGE

LEGEND:

- ① EXISTING CONCRETE CURB AND GUTTER, TYPE B-6.12
- ② EXISTING CONCRETE CURB, TYPE B
- ③ EXISTING P.C.C. PAVEMENT, 9"
- ④ EXISTING CONSTRUCTION LONGITUDINAL JOINT w/#5 DEFORMED BARS 30" LONG, 30" O.C.
- ⑤ EXISTING STABILIZED SUB-BASE
- ⑥ EXISTING P.C.C. SIDEWALK
- ⑦ EXISTING BITUMINOUS SURFACE, 3"
- ⑧ EXISTING P.C.C. MEDIAN SURFACE
- ⑨ EXISTING SOLID BARRIER MEDIAN
- ⑩ EXISTING TEMPORARY CONCRETE BARRIER WALL
- ⑪ EXISTING BITUMINOUS MEDIAN SURFACE
- ⑫ EXISTING LANDSCAPE MEDIAN
- ⑬ EXISTING GRASS MEDIAN
- ⑭ EXISTING TOPSOIL, 3"
- ⑮ PROPOSED BITUMINOUS SURFACE REMOVAL, 2 1/2"
- ⑯ PROPOSED BITUMINOUS SURFACE REMOVAL, 2 1/4"
- ⑰ PROPOSED POLYMERIZED LEVELING BINDER (MACHINE METHOD), SUPERPAVE, IL-4.75, N50 3/4"
- ⑱ PROPOSED POLYMERIZED BITUMINOUS CONCRETE SURFACE COURSE, SUPERPAVE, MIX "F", N90, 1 3/4"
- ⑲ PROPOSED BITUMINOUS CONCRETE SURFACE COURSE, SUPERPAVE, MIX "D", N70, 1 1/2"
- ⑳ PROPOSED P.C.C. SURFACE REMOVAL (VARIABLE DEPTH)
- ㉑ PROPOSED TEMPORARY BARRIER WALL
- ㉒ PROPOSED SUB-BASE GRANULAR MATERIAL, TYPE B 4"
- R CURB AND GUTTER, SIDEWALK REMOVAL AND REPLACEMENT (LOCATION AS DIRECTED BY THE ENGINEER)

REVISIONS	
NAME	DATE

ILLINOIS DEPARTMENT OF TRANSPORTATION
 TYPICAL SECTIONS
 F.A.P. 305/PALATINE RD.
 US 12 (RAND RD.) TO IL 21 (MILWAUKEE AVE.)
 SCALE: DRAWN NOT TO SCALE
 DATE: _____ DRAWN BY: _____
 CHECKED BY: _____