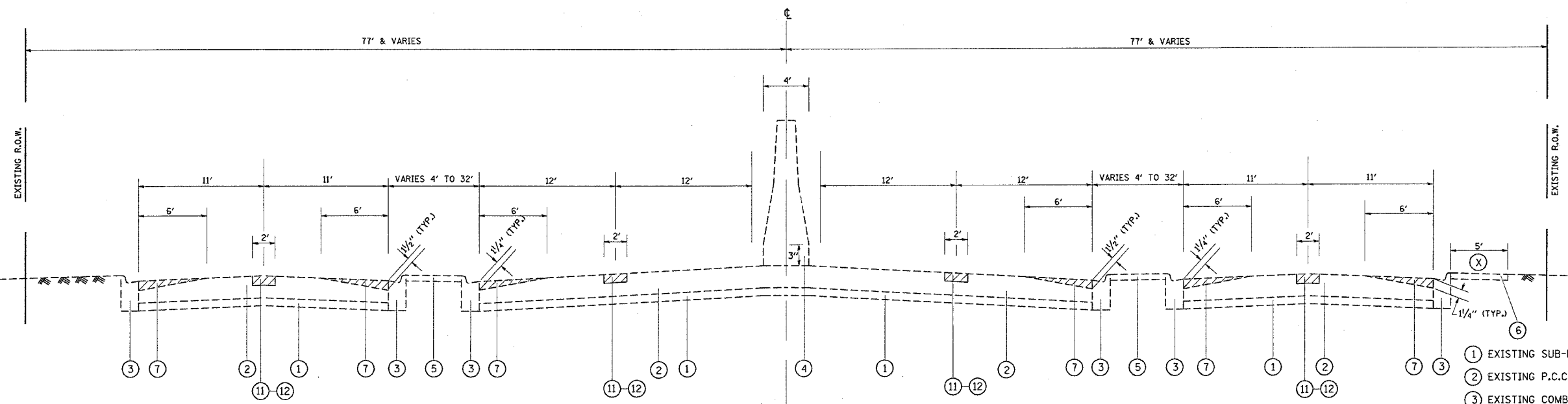


F.A.P. RTE.	SECTION	COUNTY	TOTAL SHEETS	SHEET NO.
305	0913.J RS-1	COOK	52	12
STA.		TO STA.		
FED. ROAD DIST. NO. 1		ILLINOIS FED. AID PROJECT		

CONTRACT NO. 62850



WEST FRONTAGE ROAD  
STA. 366+05 TO STA. 412+15

EXISTING TYPICAL SECTION  
PALATINE ROAD  
MAIN LINE STA. 370+30 TO STA. 412+15

EAST FRONTAGE ROAD  
STA. 366+05 TO STA. 412+15

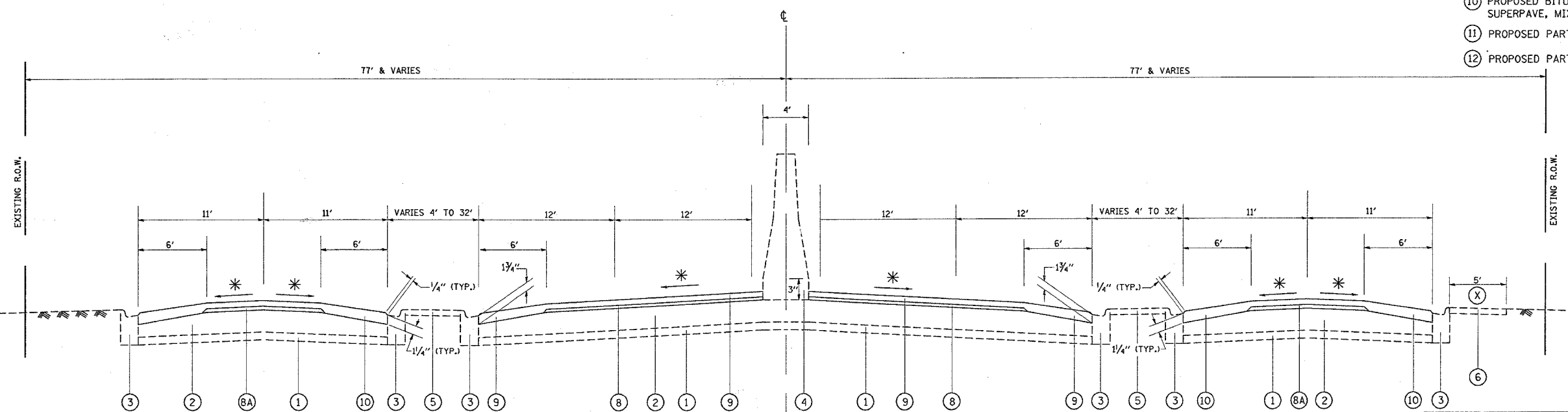
(X) EXISTING SIDEWALK ENDS AT STA. 400+47

LEGEND

- ① EXISTING SUB-BASE GRANULAR MATERIAL, 6"
- ② EXISTING P.C.C. PAVEMENT, 9"
- ③ EXISTING COMBINATION CONCRETE CURB & GUTTER, B-6.12 & VARIES
- ④ EXISTING CONCRETE BARRIER DOUBLE FACE (32") HEIGHT, 9" TOP
- ⑤ EXISTING BITUMINOUS OR CONCRETE MEDIAN SURFACE
- ⑥ EXISTING P.C.C. SIDEWALK
- \* \* ⑦ PROPOSED P.C.C. SURFACE REMOVAL (VARIABLE DEPTH)
- ⑧ PROPOSED POLYMERIZED LEVELING BINDER (MACHINE METHOD), SUPERPAVE, IL-4.75, N50, 3/4"
- ⑧A PROPOSED POLYMERIZED LEVELING BINDER (MACHINE METHOD), SUPERPAVE, IL-4.75, N50, 1"
- ⑨ PROPOSED POLYMERIZED BITUMINOUS CONCRETE SURFACE COURSE, SUPERPAVE, MIX. "F", N90, 1 3/4"
- ⑩ PROPOSED BITUMINOUS CONCRETE SURFACE COURSE, SUPERPAVE, MIX. "D", NTO, 1 1/2"
- ⑪ PROPOSED PARTIAL DEPTH REMOVAL, 3"
- ⑫ PROPOSED PARTIAL DEPTH PATCHING

\* MATCH THE EXISTING SLOPE

\* \* SEE DISTRICT DETAIL BD-33



WEST FRONTAGE ROAD  
STA. 366+05 TO STA. 412+15

PROPOSED TYPICAL SECTION  
PALATINE ROAD  
MAIN LINE STA. 370+30 TO STA. 412+15

EAST FRONTAGE ROAD  
STA. 366+05 TO STA. 412+15

REVISIONS	
NAME	DATE

ILLINOIS DEPARTMENT OF TRANSPORTATION

PALATINE ROAD  
(U.S.12 TO U.S. 45/ IL 21)  
TYPICAL SECTIONS

SCALE: NONE  
DATE 12/21/2004

DRAWN BY  
CHECKED BY