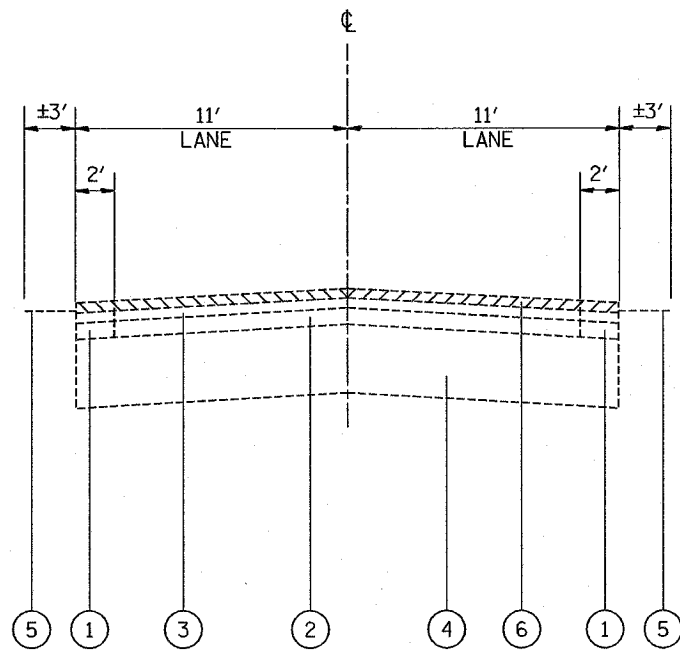


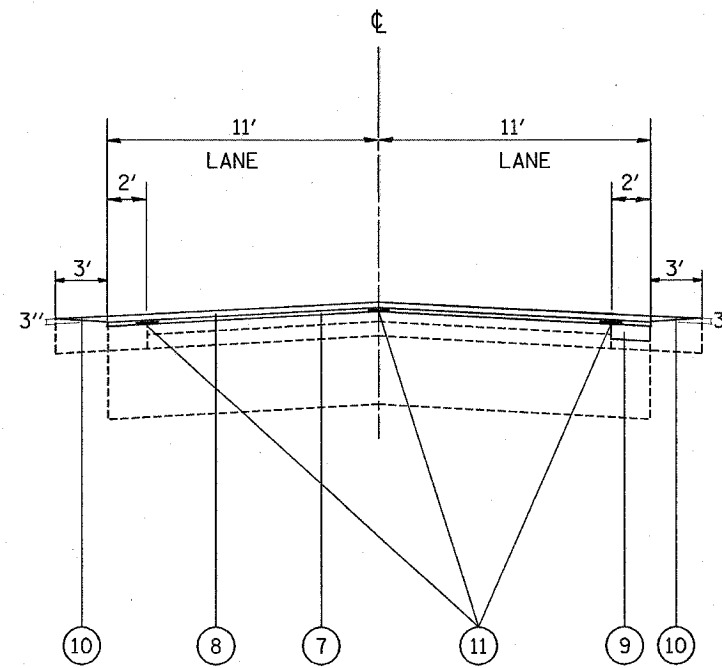
FAU RTE.	SECTION	COUNTY	TOTAL SHEETS	SHEET NO.
0196	3TRS-3	LAKE	12	4
STA.		TO STA.		
FED. ROAD DIST. NO.		ILLINOIS FED. AID PROJECT		

CONTRACT NO.: 62860



EXISTING TYPICAL CROSS SECTION

STA. 0+38 TO STA. 7+96  
(LOOKING NORTHEAST)

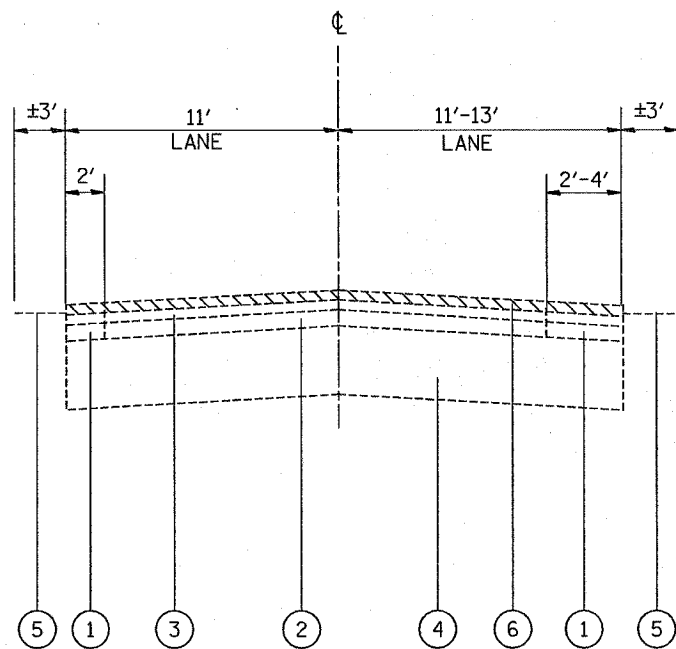


PROPOSED TYPICAL CROSS SECTION

STA. 0+38 TO STA. 7+96  
(LOOKING NORTHEAST)

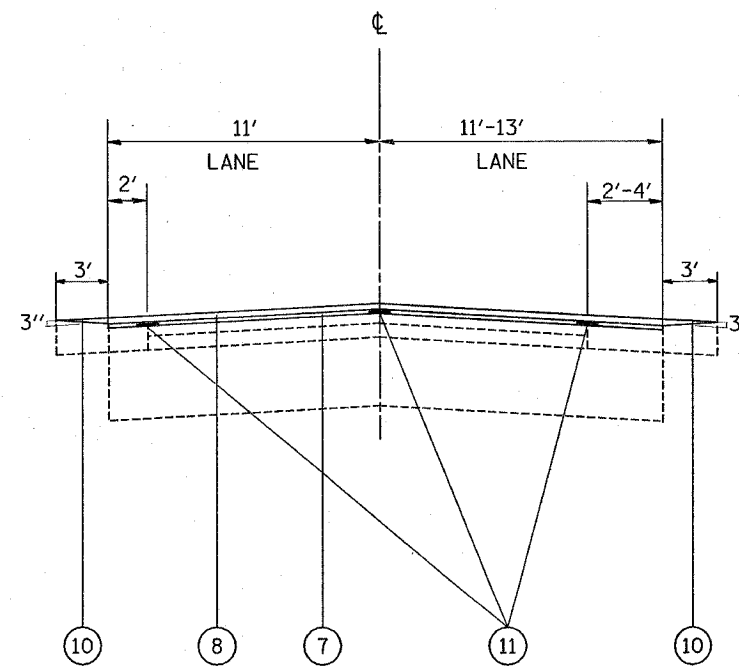
LEGEND

- ① EXISTING BITUMINOUS CONCRETE, 11.25" - 18.50", (2'-4' WIDENING STRIPS)
- ② EXISTING P.C.C. PAVEMENT, 6" - 7.75"
- ③ EXISTING BITUMINOUS CONCRETE, VARIES 5.25" - 5.50"
- ④ EXISTING SUB-BASE GRANULAR MATERIAL
- ⑤ EXISTING AGGREGATE SHOULDER
- ⑥ PROPOSED BITUMINOUS CONCRETE SURFACE REMOVAL, 2 1/2"
- ⑦ PROPOSED LEVELING BINDER (MACHINE METHOD), SUPERPAVE, MIX C SFC CSE, N70, 3/4"
- ⑧ PROPOSED POLYMERIZED BITUMINOUS CONCRETE SURFACE CSE, SUPERPAVE, MIX "F", N90, 1 3/4"
- ⑨ PROPOSED CLASS D PATCH, TYPE IV, 7", (0+38-7+96)
- ⑩ PROPOSED AGGREGATE SHOULDERS, TYPE B
- ⑪ STRIP REFLECTIVE CRACK CONTROL TREATMENT



EXISTING TYPICAL CROSS SECTION

STA. 7+96 TO STA. 11+10  
(LOOKING NORTHEAST)



PROPOSED TYPICAL CROSS SECTION

STA. 7+96 TO STA. 11+10  
(LOOKING NORTHEAST)

REVISIONS	
NAME	DATE

ILLINOIS DEPARTMENT OF TRANSPORTATION

IVANHOE RD.

TYPICAL SECTION

SCALE: VERT.  
HORIZ.  
DATE

DRAWN BY: CADD  
CHECKED BY: