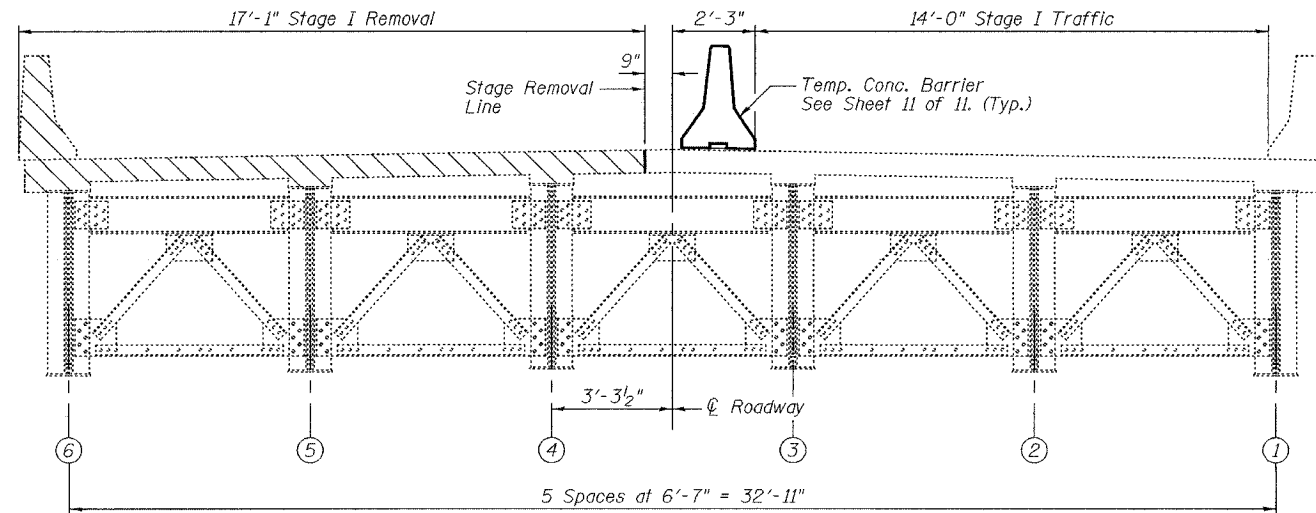


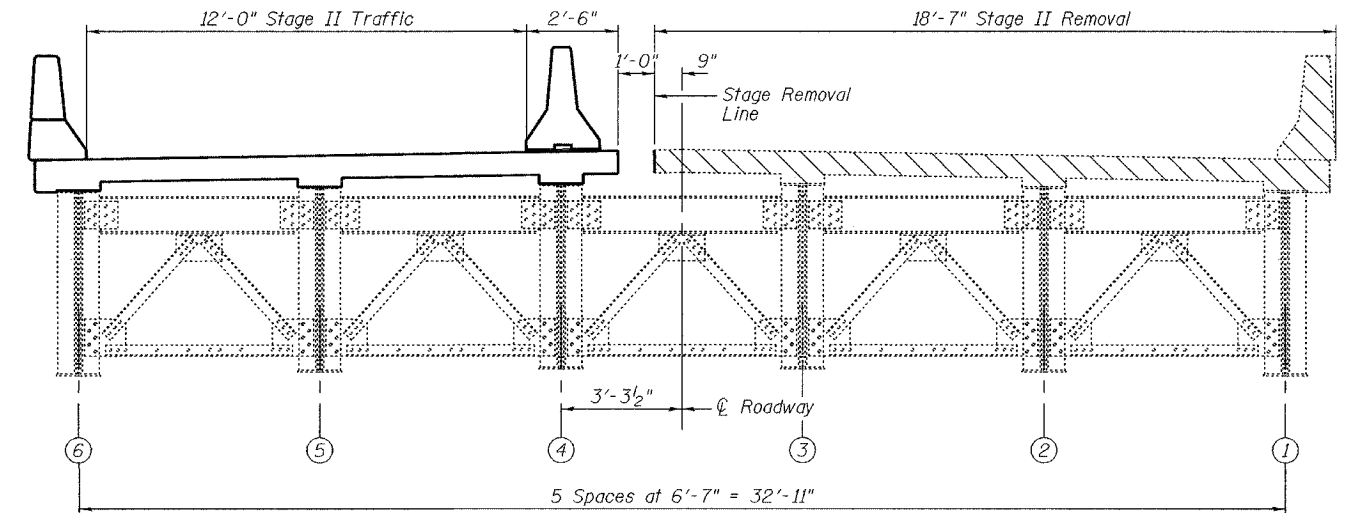
STATE OF ILLINOIS
DEPARTMENT OF TRANSPORTATION

ROUTE NO.	SECTION	COUNTY	TOTAL SHEETS	SHEET NO.	SHEET NO. 2 11 SHEETS
		Will	16	6	
FED. ROAD DIST. NO. 7	ILLINOIS	FED. AID PROJECT			

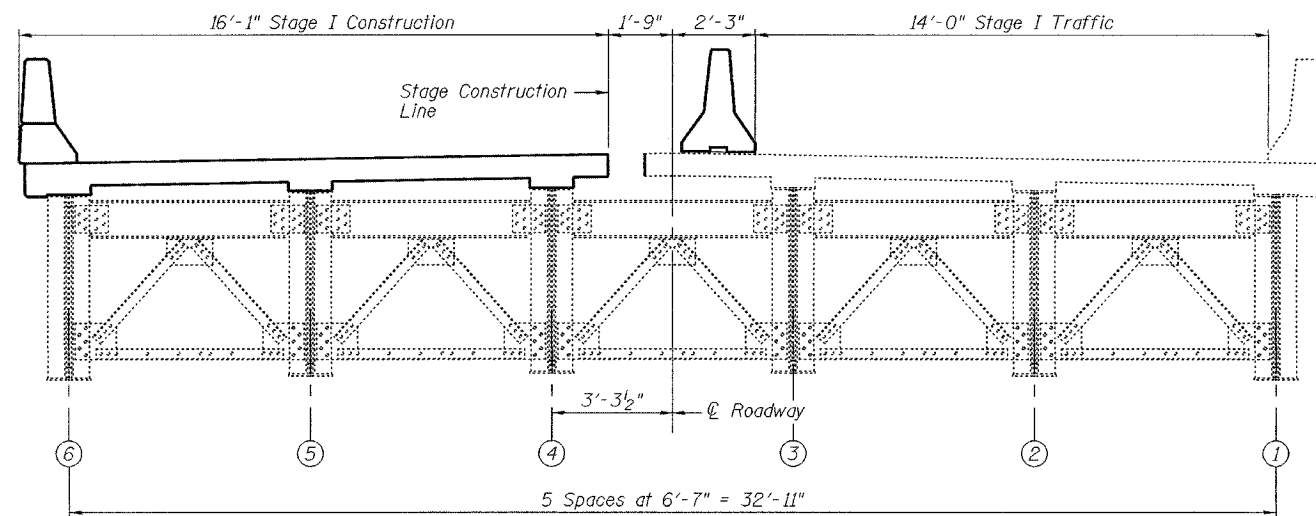
Contract: 62861



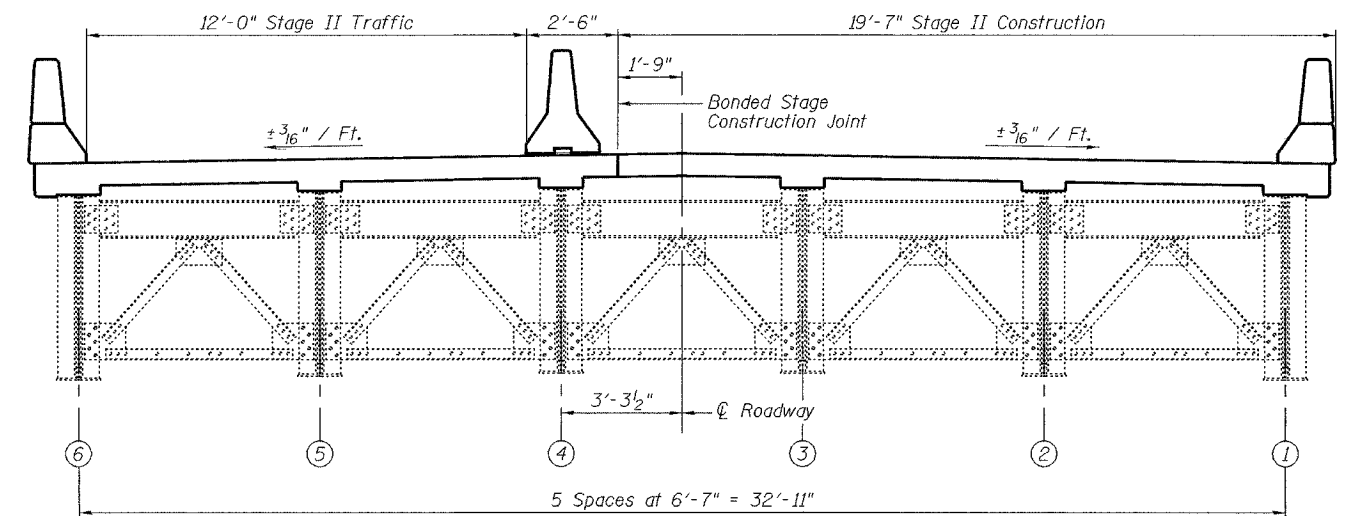
STAGE I REMOVAL



STAGE II REMOVAL



STAGE I CONSTRUCTION



STAGE II CONSTRUCTION

DESIGNED	A.T.H.
CHECKED	J.S.B.
DRAWN	Drew Christopher
CHECKED	J.S.B. A.T.H.

January 24, 2005
 EXAMINED *John A. Morris*
 ENGINEER OF STRUCTURAL SERVICES
 PASSED *Ralph E. Anderson*
 ENGINEER OF BRIDGES AND STRUCTURES

Note:
 All stage sections are at Pier 3 Approach Side
 Looking North. Stage Layout is typical for joint
 at Abutments, L13 and Pier 6.

STAGE CONSTRUCTION DETAILS

F.A.I. RT.55
WILL COUNTY
SN 099-0008