

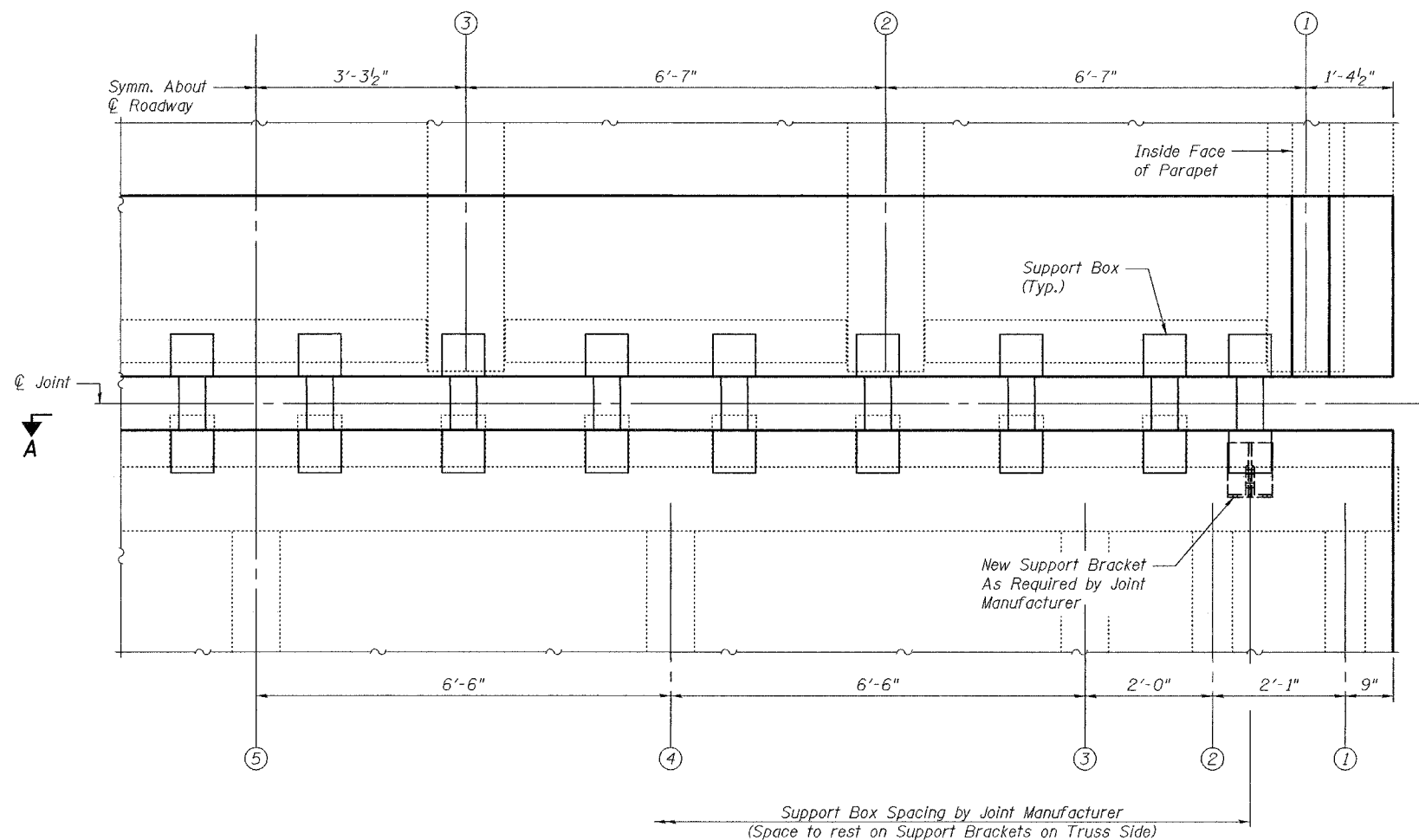
STATE OF ILLINOIS
DEPARTMENT OF TRANSPORTATION

ROUTE NO.	SECTION	COUNTY	SHEET	SHEET
		Will	16	8
FED. ROAD DIST. NO. 7		ILLINOIS FED. AID PROJECT		

SHEET NO. 4

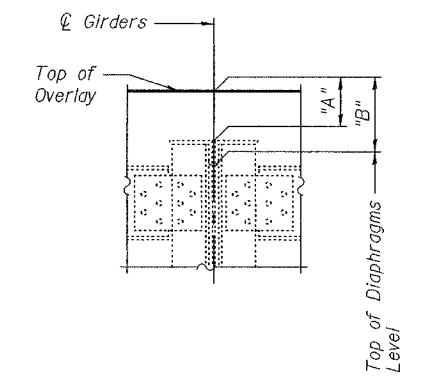
11 SHEETS

Contract: 62861



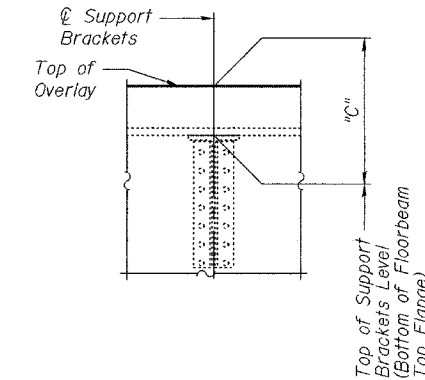
APPROACH SIDE

Girder	Dim "A" at ℄ Bearing	Dim "B" at ℄ Bearing
1	8 1/2"	10 1/2"
2	8 1/6"	11 1/6"
3	8 3/6"	1'-0 3/6"
℄ Rdwy	-	1'-1 3/6"



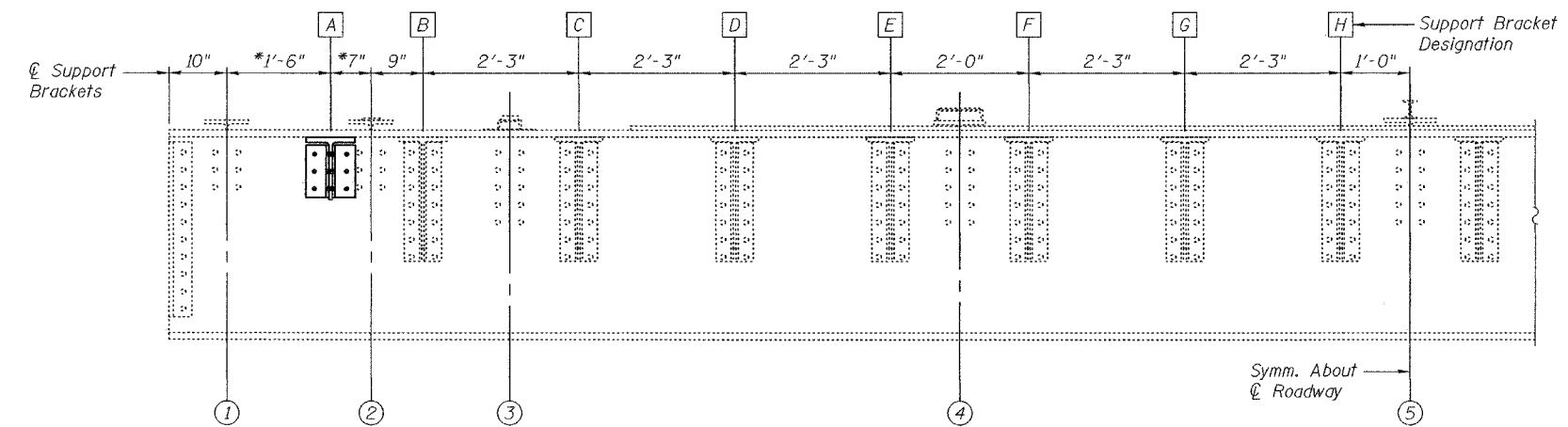
TRUSS SIDE

Support	Dim "C" at ℄ Support
A	9 3/6"
B	9 1/6"
C	9 3/6"
D	10 1/6"
E	10 1/6"
F	11 1/6"
G	11 1/6"
H	11 1/6"
℄ Rdwy	12 1/6"



PARTIAL PLAN AT PIER 3

*May vary as required
by Manufacturer



- Notes:
1. Modular Expansion Joint shall be designed according to the latest ASTM Specifications for HS20 Loading with 30% impact and for minimum movement of ±3" (Total of 6"). See Special Provisions for Modular Expansion Joint.
 2. Joint shall be fabricated and installed according to the manufacturer's recommendations and as approved by the Engineer. Support brackets may be added as required by Modular Expansion Joint Fabricator. See New Support Bracket Details on Sheet 6 of 11. Cost included with Modular Expansion Joint.
 3. Joint shall be fabricated to conform to the existing Cross-Slopes. See sheet 2 of 11 for details. Match Existing Conditions.
 4. Cost of all hardware and installation of Steel Bearing Shim plates and additional reinforcement required to anchor the joint to the slab shall be included with "Modular Expansion Joint"
 5. The inorganic zinc rich primer/acrylic/acrylic paint system shall be used for shop and field painting of new structural steel except no top coat required in non-exposed areas. The color of the acrylic finish coat shall be Gray, Munsell No. 5B 7/1. See Special Provisions "Cleaning and Painting New Metal Structures".

DESIGNED	A.T.H.
CHECKED	J.S.B.
DRAWN	Drew Christopher
CHECKED	J.S.B. A.T.H.

January 24, 2005

EXAMINED *John A. Morris*
ENGINEER OF STRUCTURAL SERVICES

PASSED *Ralph E. Anderson*
ENGINEER OF BRIDGES AND STRUCTURES

SECTION A-A
(Looking South)

PIER 3 DETAILS
F.A.I. RT.55
WILL COUNTY
SN 099-0008