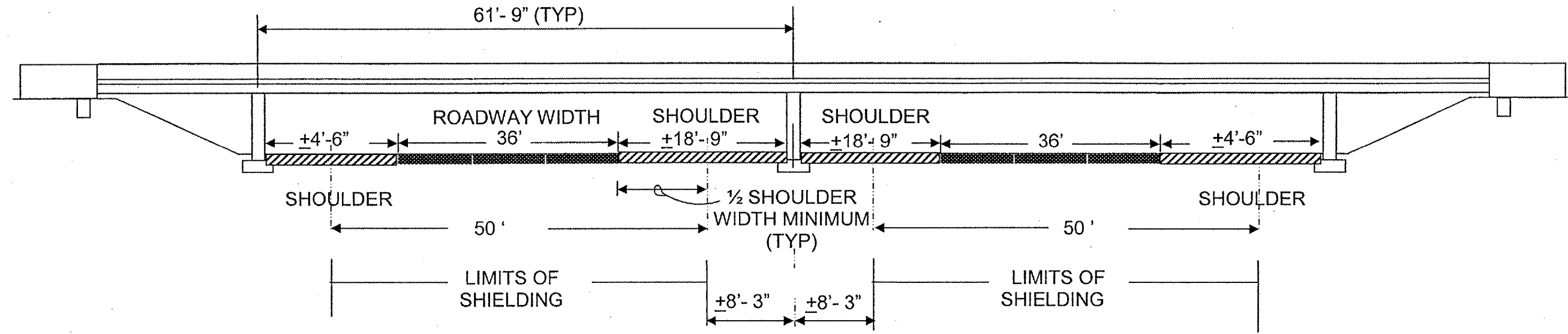
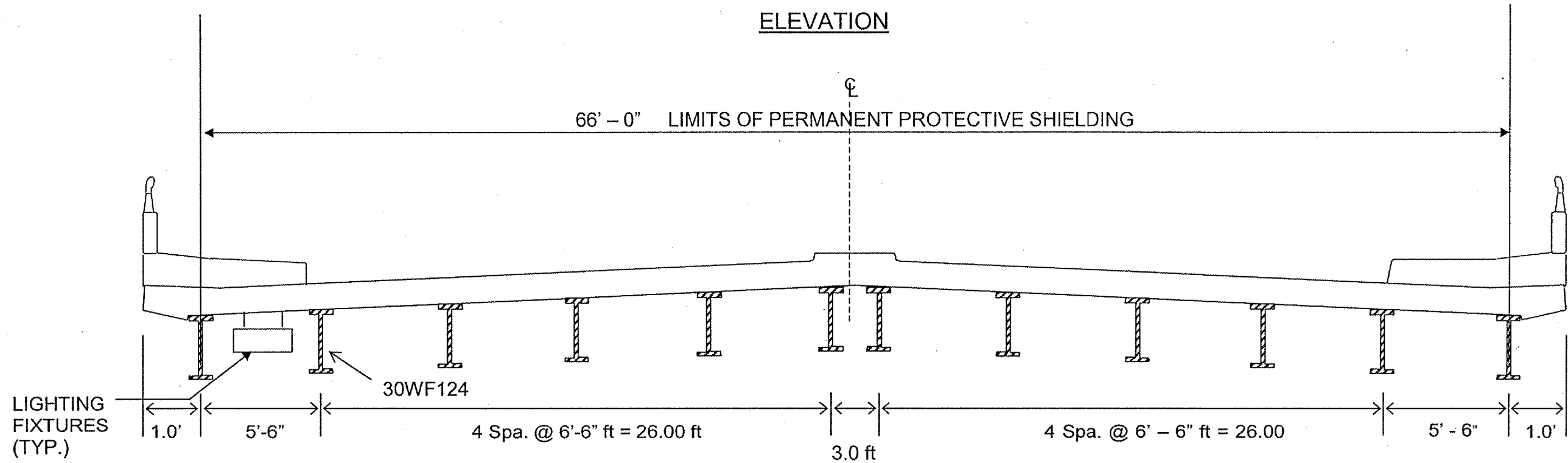


ROUTE	SECTION	COUNTY	TOTAL SHEETS	SHEET NUMBER
VARIOUS	0303.11	COOK	9	5

CONTRACT NO. 62866



ELEVATION



CROSS SECTION  
(LOOKING WEST)

ILLINOIS DEPARTMENT OF TRANSPORTATION

PLAN DETAILS  
SN 016-0275  
LOCATION 1