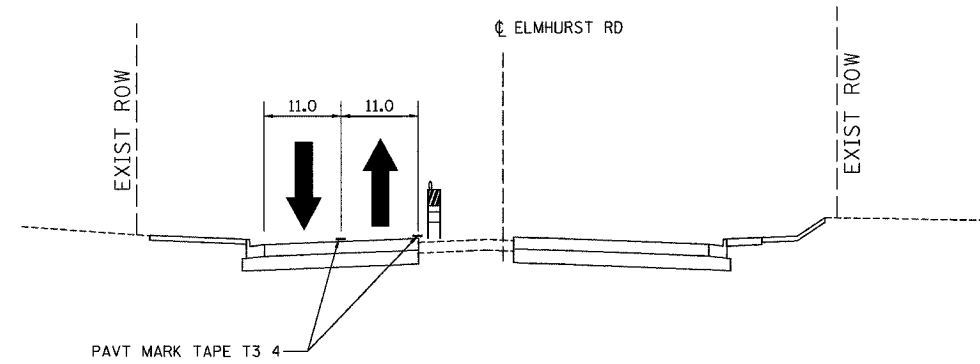
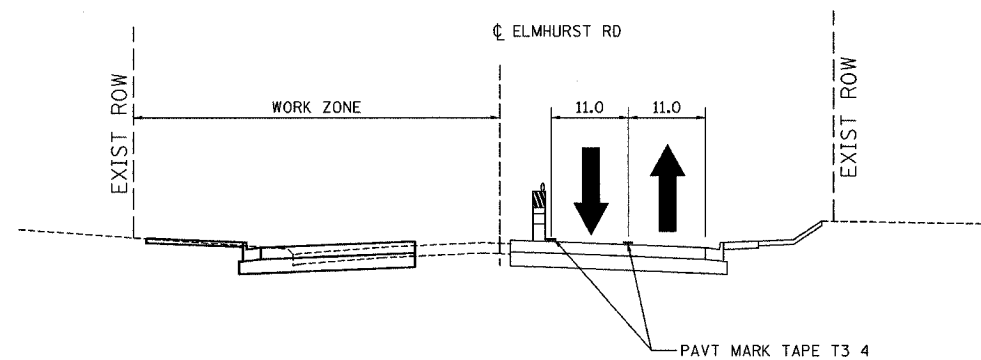


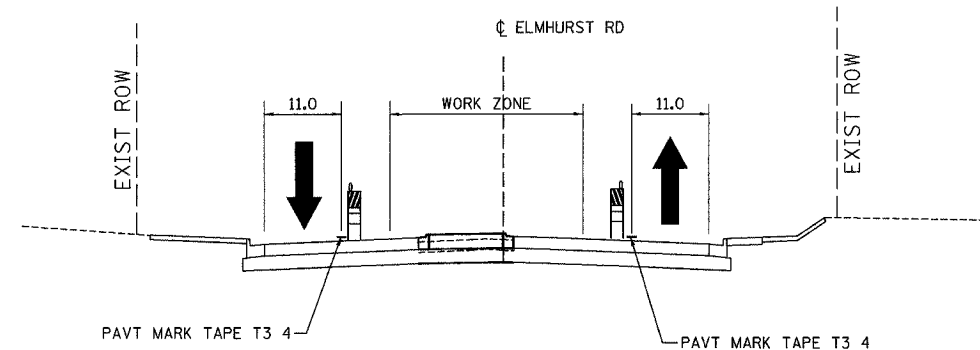
ELMHURST ROAD
STAGE 1A
STA 744+00 TO STA 755+65



ELMHURST ROAD
STAGE 2B
STA 744+00 TO STA 755+65



ELMHURST ROAD
STAGE 1B & 2A
STA 744+00 TO STA 755+65



ELMHURST ROAD
STAGE 3
STA 744+00 TO STA 755+65

REVISIONS	
NAME	DATE

ILLINOIS DEPARTMENT OF TRANSPORTATION
PALATINE ROAD OVER IL 83 (ELMHURST RD.)

**MAINTENANCE OF TRAFFIC
AND STAGING
TYPICAL SECTIONS**

SCALE: NONE
DATE 12/04

DRAWN BY ACE/CAD
CHECKED BY TAE

AMERICAN
CONSULTING ENGINEERS

...1313.1B.Maintenance_01.rws 12/21/2004 02:57:53 PM