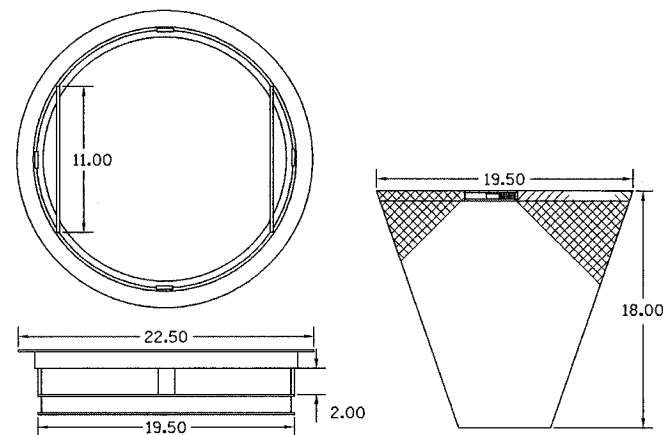
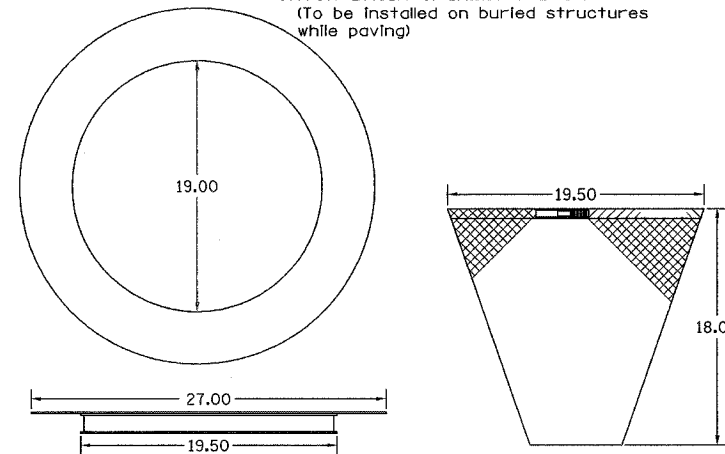


TYPE I INLET FILTER



NOTES:
 FRAME: Top ring shall be fabricated from 1 1/4" x 1 1/4" x 1/8" angle. Base ring shall be fabricated from 1 1/2" x 1/2" x 1/8" channel. Handles and suspension brackets shall be fabricated from 1 1/4" x 1/4" flat stock. Domestic steel conforming to ASTM-A36.
 SEDIMENT BAGS: Shall be fabricated from 4 oz./sq. yd. non-woven polypropylene geotextile and shall be reinforced with polyester mesh. The bag shall be secured to the base ring with a stainless steel strap and lock.

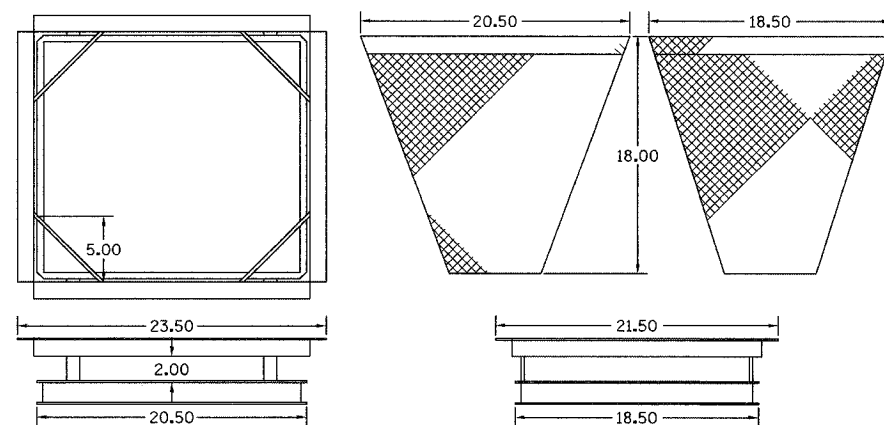
CATCH BASIN & INLET FILTER
 (To be installed on buried structures while paving)



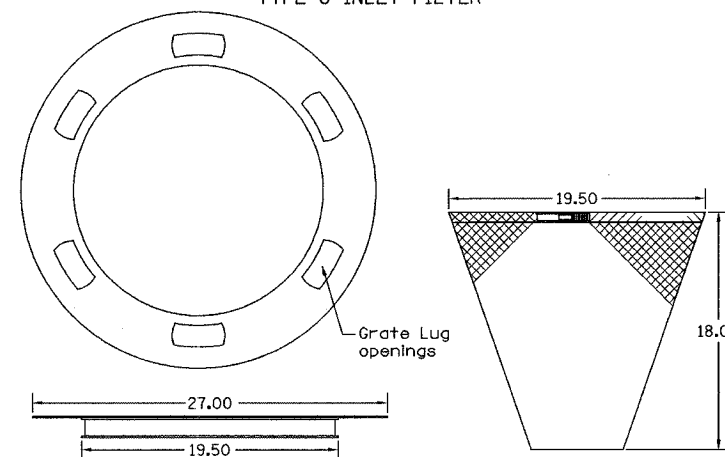
NOTES:
 FRAME: Flange shall be fabricated from 1/8" flat stock. Base ring shall be fabricated from 1 1/2" x 1/2" x 1/8" channel. Domestic steel conforming to ASTM-A36.
 SEDIMENT BAG: Shall be fabricated from 4 oz./sq. yd. non-woven polypropylene geotextile and shall be reinforced with polyester mesh. The bag shall be secured to the base ring with a stainless steel strap and lock.

TYPE 24 INLET FILTER

NOTES:
 FRAME: Top piece shall be fabricated from 1 1/4" x 1 1/4" x 1/8" angle. Base piece shall be fabricated from 1 1/2" x 1/2" x 1/8" channel. Handles and suspension brackets shall be fabricated from 1 1/4" x 1/4" flat stock. Domestic steel conforming to ASTM-A36.
 SEDIMENT BAG: Shall be fabricated from 4 oz./sq. yd. non-woven polypropylene geotextile and shall be reinforced with polyester mesh. The bag shall be secured to the base piece with a stainless steel strap and lock.



TYPE 8 INLET FILTER



NOTES:
 FRAME: Flange shall be fabricated from 1/8" flat stock. Base ring shall be fabricated from 1 1/2" x 1/2" x 1/8" channel. Domestic steel conforming to ASTM-A36.
 SEDIMENT BAG: Shall be fabricated from 4 oz./sq. yd. non-woven polypropylene geotextile and shall be reinforced with polyester mesh. The bag shall be secured to the base ring with a stainless steel strap and lock.

NOTE: ALL UNITS ARE IN INCHES UNLESS OTHERWISE NOTED

ILLINOIS DEPARTMENT OF TRANSPORTATION
 PALATINE ROAD OVER IL 83 (ELMHURST RD.)

**EROSION CONTROL DETAILS
 INLET FILTER DETAIL**

SCALE: NONE
 DATE 12/04

DRAWN BY ACE/CAD
 CHECKED BY TAE



REVISIONS	
NAME	DATE

...\\070.in.athens\p010101_31-05_12/02/2004_03:03 PM