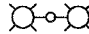


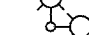
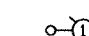


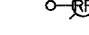



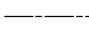
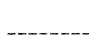
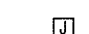


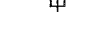

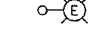
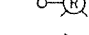
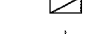

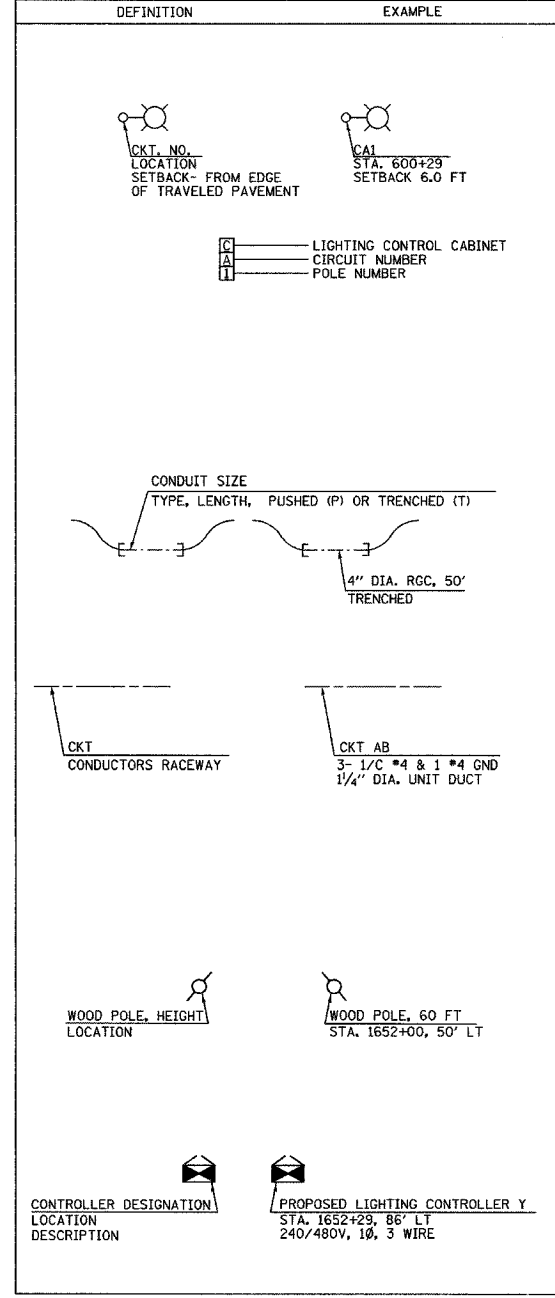


**LEGEND**

-  PROPOSED TWIN LIGHTING UNIT:  
47.5' M.H., 2-6' D.A., 310W LUMINAIRE
-  PROPOSED TWIN COMBINATION LIGHTING UNIT:  
40' M.H., 2-15' M.A., 310W LUMINAIRE
-  PROPOSED TWIN LIGHTING UNIT:  
47.5' M.H., 2-15' D.A., 310W LUMINAIRE
-  PROPOSED LIGHTING UNIT:  
47.5' M.H., 10' D.A., 310W LUMINAIRE
-  PROPOSED LIGHTING UNIT:  
30' M.H., 6' D.A., 250W LUMINAIRE
-  EXISTING LIGHTING UNIT TO BE REMOVED  
AND RELOCATED
-  PROPOSED UNDERPASS LUMINAIRE  
TOW HPS
-  RIGID GALVANIZED STEEL CONDUIT  
PUSHED (P), OR TRENCHED (T)  
SIZE AS INDICATED
-  UNIT DUCT, WITH 3-1/C NO. 4  
AND 1/C NO. 6 GROUND  
600 V (EPR-TYPE RW), 1/2" DIA.  
DIAMETER POLYETHYLENE
-  EXPOSED CONDUIT, SIZE AS INDICATED, RGS CONDUIT PVC COATED
-  ELECTRIC JUNCTION BOX,  
TYPE AND SIZE AS INDICATED
-  PROPOSED LIGHTING  
CONTROLLER, DUPLEX
-  ELECTRIC UTILITY POLE
-  ELECTRIC GROUND ROD
-  EXISTING LIGHTING UNIT TO REMAIN
-  EXISTING LIGHTING UNIT TO BE REMOVED
-  EXISTING WALL MOUNTED LIGHTING CONTROLLER  
TO BE REMOVED
-  EXISTING ELECTRIC UTILITY POLE
-  EXISTING UNIT DUCT TO BE ABANDONED
-  EXISTING UNIT DUCT TO REMAIN
-  TEMPORARY WOOD POLE, 60 FT., CLASS 4
-  AERIAL CABLE, 3-1/C NO. 4 WITH MESSENGER WIRE

**CALL-OUT SAMPLES**



**GENERAL NOTES:**

1. ALL EXPOSED CONDUIT SHALL BE RIGID GALVANIZED STEEL, PVC COATED.
2. ALL LIGHT POLES OUTSIDE THE MEDIAN ARE SETBACK 6 FEET FROM THE EDGE OF TRAVELED PAVEMENT, UNLESS OTHERWISE INDICATED ON THE PLANS. WHEN LIGHT POLE SETBACK IS LESS THAN 6 FEET, USE FRANGIBLE POLE WITH A TRANSFORMER BASE.
3. ALL PROPOSED ITEMS SHALL BE OF NEW MANUFACTURED STOCK.

**ABBREVIATIONS**

SYMBOL	DESCRIPTION
AC	ALTERNATING CURRENT
A/C	AERIAL CABLE
AFG	ABOVE FINISHED GRADE
CB	CIRCUIT BREAKER
CKT	CIRCUIT
CM	CENTIMETER
CNC	COILABLE NONMETALLIC CONDUIT
CT	CURRENT TRANSFORMER
CP	CONTROL PANEL
DA	DAVIT ARM
DC	DIRECT CURRENT
DIA	DIAMETER
DP	DISTRIBUTION PANEL
E	EXISTING UNIT TO REMAIN
ECA	ELECTRIC CABLE ASSEMBLY
EM	EXISTING UNIT TO BE MODIFIED (e.g. NEW LUMINAIRE, BALLAST OR MAST ARM)
ER	EXISTING RELOCATED UNIT
ET	EXISTING TEMPORARY UNIT TO REMAIN
ETR	EXISTING TEMPORARY RELOCATED UNIT
FT	FEET OR FOOT
FND BW	FOUNDATION BARRIER WALL
FND BW OS	FOUNDATION BARRIER WALL OFFSET
FND CON	FOUNDATION CONCRETE
FND CON OS	FOUNDATION CONCRETE OFFSET
FND MET	FOUNDATION METAL
FND PW	FOUNDATION PARAPET WALL
FU	FUSE
GND	GROUND
HID	HIGH INTENSITY DISCHARGE
JB	JUNCTION BOX
KVA	KILOVOLT-AMPERE
KW	KILOWATTS
M	METER
MA	MAST ARM
MM	MILLIMETER
MH	MOUNTING HEIGHT
NO. *	NUMBER
P	PROPOSED
PB	PUSH BUTTON
PNL	PANEL
PVCC RGC	PVC COATED RIGID GALVANIZED CONDUIT
PT	POTENTIAL TRANSFORMER
R	EXISTING UNIT TO BE REMOVED (OWNER SALVAGED U.N.O.)
RR	EXISTING UNIT TO BE REMOVED AND REINSTALLED
RECP	RECEPTACLE
RGC	RIGID GALVANIZED CONDUIT
SEL SW	SELECTOR SWITCH
SPARE	SPARE
SPACE	SPACE
SS	STAINLESS STEEL
STA	STATION
T	TEMPORARY LIGHTING UNIT
TMP	TEMPORARY
TR	TEMPORARY UNIT TO BE REMOVED, SALVAGE EQUIPMENT AS SPECIFIED
TRR	TEMPORARY UNIT TO BE REMOVED AND RELOCATED
TUR	TEMPORARY UNIT ON UTILITY POLE TO BE REMOVED
UD	UNIT DUCT
U.N.O.	UNLESS NOTED OTHERWISE
WP	WOOD POLE
XFMR	TRANSFORMER

REVISIONS	
NAME	DATE

ILLINOIS DEPARTMENT OF TRANSPORTATION  
PALATINE ROAD OVER IL 83 (ELMHURST RD.)

**LIGHTING LEGEND AND  
GENERAL NOTES**

SCALE: NONE  
DATE: 12/21/2004

DRAWN BY: MAE/KGP  
CHECKED BY: PKG/BC

**AMERICAN**  
CONSULTING ENGINEERS