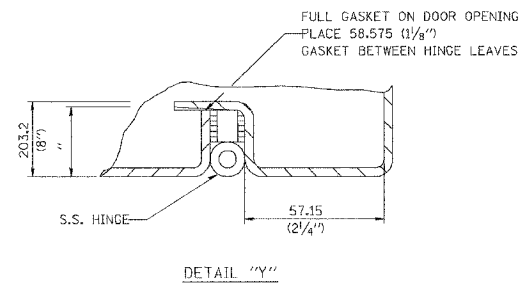
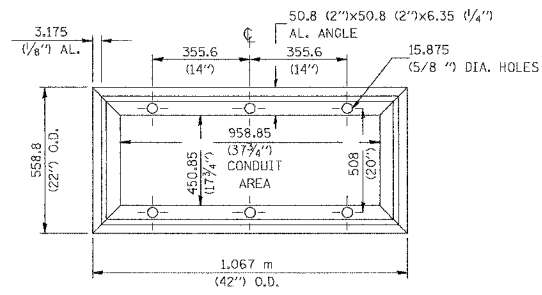


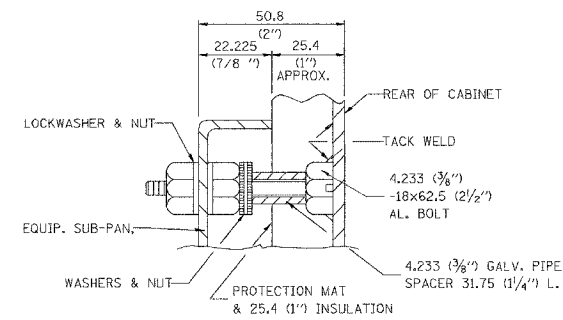
F. A. REF.	SECTION	COUNTY	TOTAL SHEETS	SHEET NO.
			193	103
STA.		TO STA.		
FED. ROAD DIST. NO.	SUBNO.	FED. AID PROJECT		



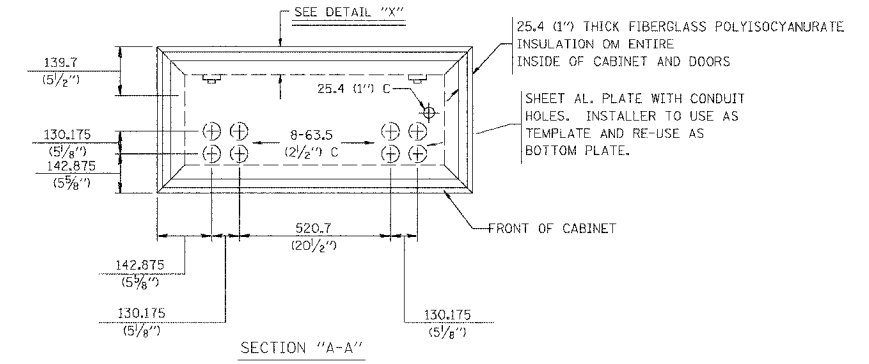
DETAIL "Y"



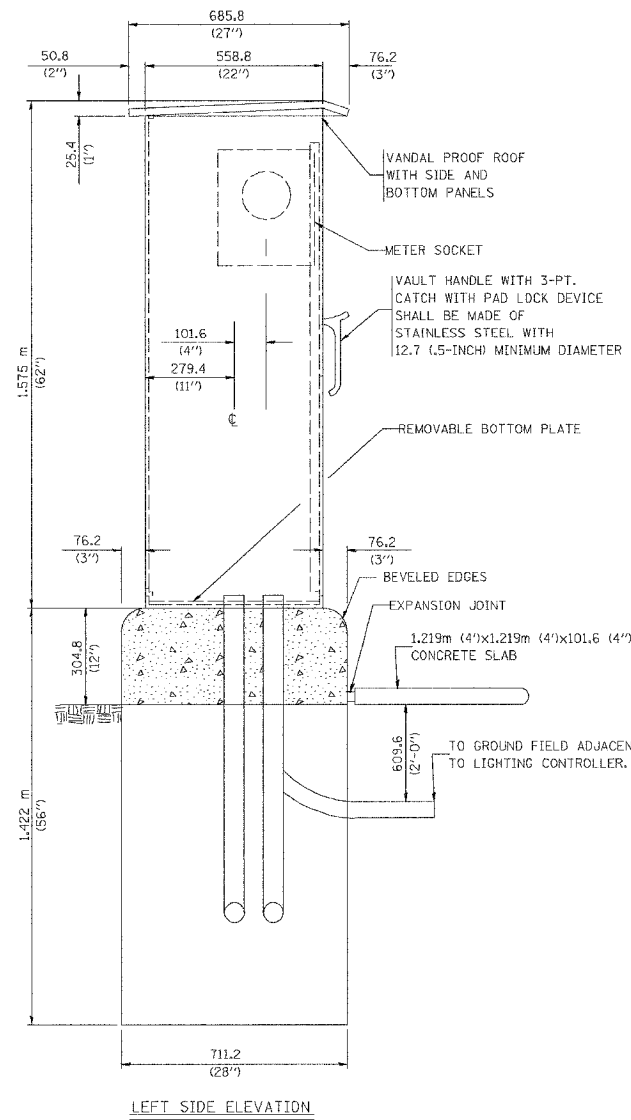
BASE MTG. DETAIL



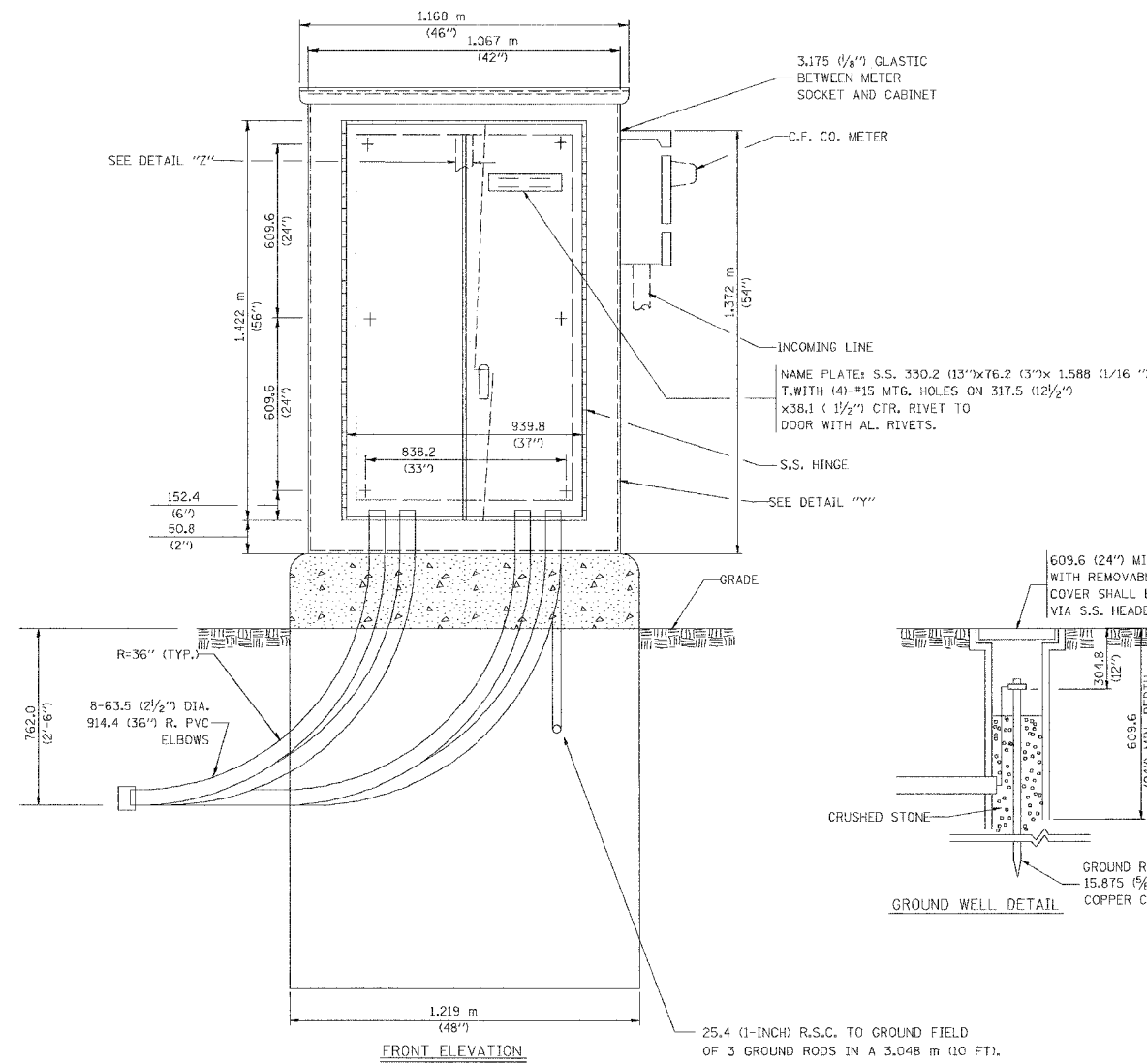
DETAIL "X"



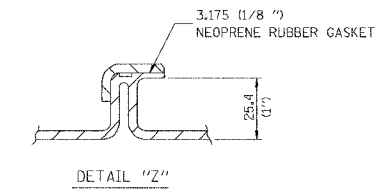
SECTION "A-A"



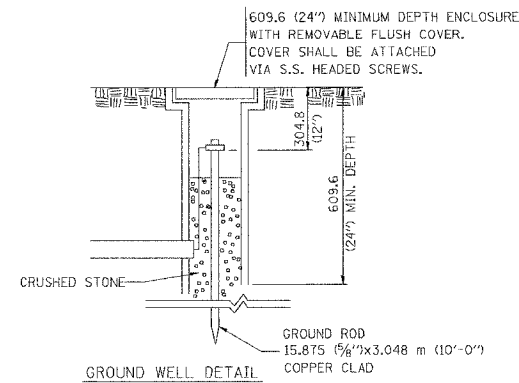
LEFT SIDE ELEVATION



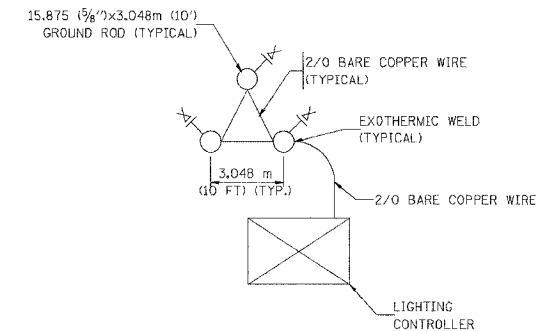
FRONT ELEVATION



DETAIL "Z"



GROUND WELL DETAIL



GROUND FIELD DETAIL (N.T.S.)

25.4 (1-INCH) R.S.C. TO GROUND FIELD OF 3 GROUND RODS IN A 3.048 m (10 FT.) TRIANGLE CONNECTED VIA BARE COPPER WIRE. VERIFY EXACT LOCATION OF GROUND FIELD WITH THE ENGINEER. NO GROUND WELL SHALL BE PLACED IN CONCRETE PAD IN FRONT OF CONTROLLER.

THE CONTRACTOR SHALL VERIFY EXACT LOCATION WITH THE ENGINEER

ILLINOIS DEPARTMENT OF TRANSPORTATION
LIGHTING CONTROLLER, RADIO CONTROL
DUPLX TYPE WITH SCADA
E-205 SHT 3 OF 4

REVISIONS	
NAME	DATE

SCALE: NONE
DATE: **DATE**
DRAWN BY: C.A.D.
CHECKED BY: