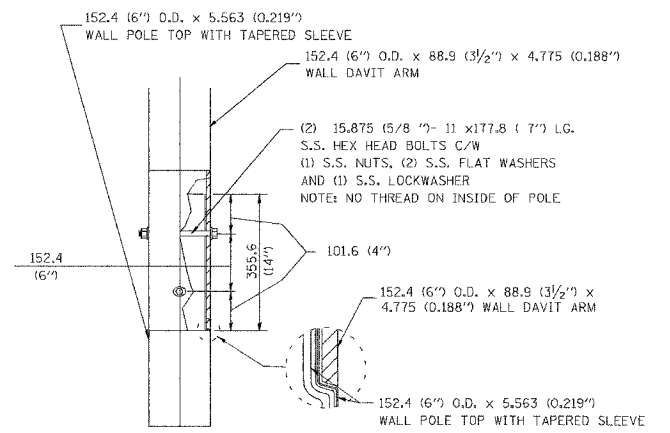


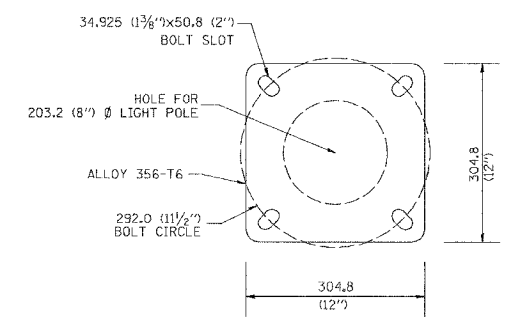
62878

F. & A. NO.	SECTION	COUNTY	TOTAL SHEETS	SHEET NO.
			193	106
STA.		TO STA.		
FED. ROAD DIST. NO.		SUNDS		FED. AID PROJECT

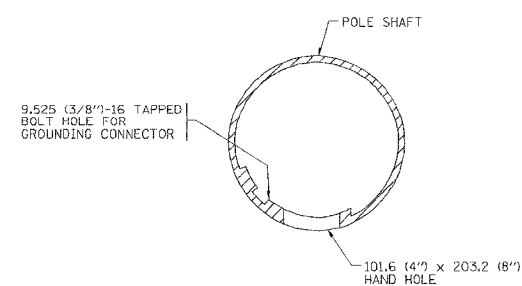
- NOTES:
1. ALL DIMENSIONS ARE IN MILLIMETERS (INCHES) UNLESS OTHERWISE SHOWN.
  2. MOUNTING HEIGHT IS DEFINED AS THE DISTANCE FROM THE CENTERLINE OF THE TENON TO THE BOTTOM OF THE ANCHOR BASE.
  3. TWO PIECE SHAFT WILL BE MATCHED MARKED AND INTERCHANGEABLE BETWEEN DIFFERENT UNITS. FIELD DRILLING OF THE HOLES WILL NOT BE ALLOWED.
  4. THE LIGHT POLE WILL MEET AASHTO DESIGN CRITERIA AS SPECIFIED.
  5. THE INSTALLING CONTRACTOR WILL PROVIDE A UL LISTED GROUNDING CONNECTOR, BURNDY K2C23, T&B SP4DL OR APPROVED EQUAL.
  6. LIGHT POLES WILL NOT BE INSTALLED WITHOUT MAST ARMS AND LUMINAIRES.
  7. LIGHT POLES WILL BE SET PLUMB ON THE FOUNDATION WITHOUT THE USE OF LEVELING NUTS, WASHERS OR SHIMS.
  8. LIGHTING UNIT IDENTIFICATION NUMBERS SHALL BE INSTALLED BEFORE THE LIGHTING UNIT IS ENERGIZED.



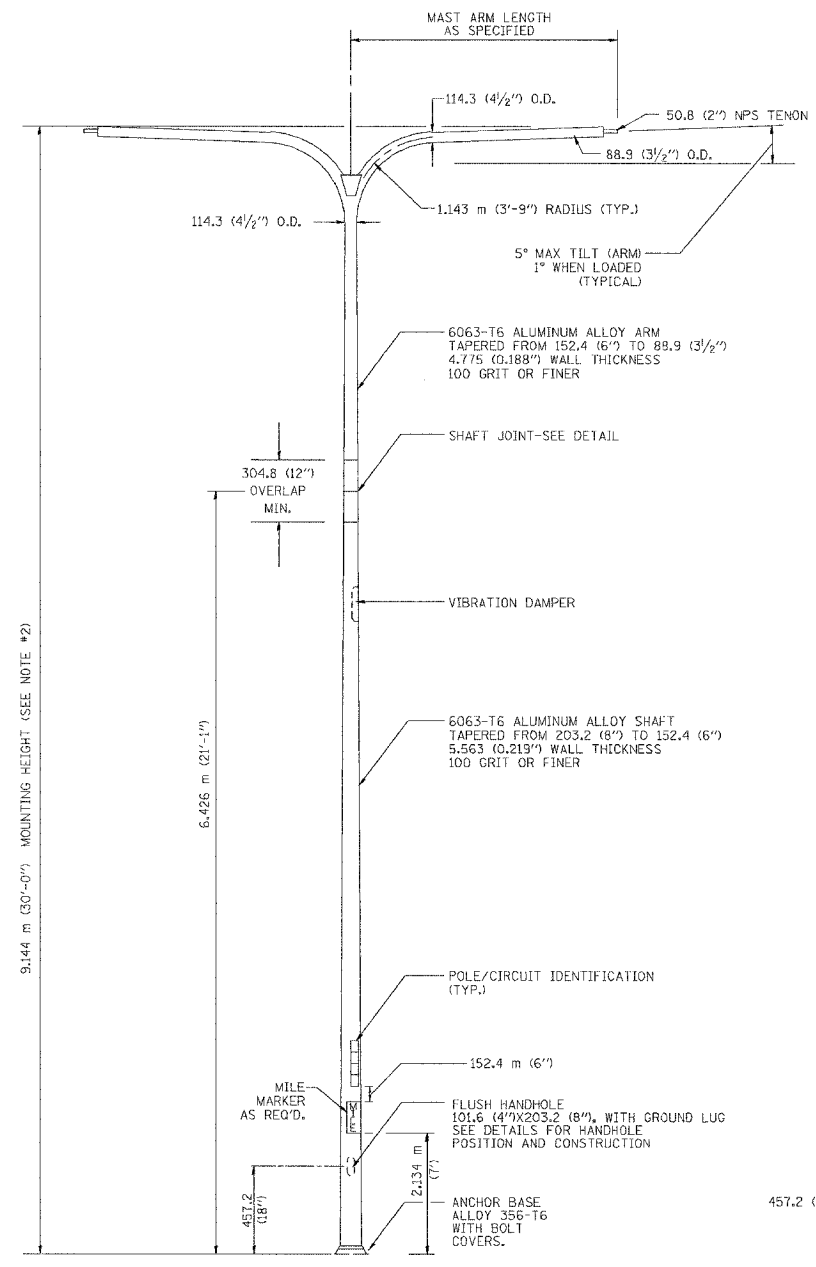
DAVIT ARM CONNECTION  
[355.6 (14'') OVERLAP SHOWN]



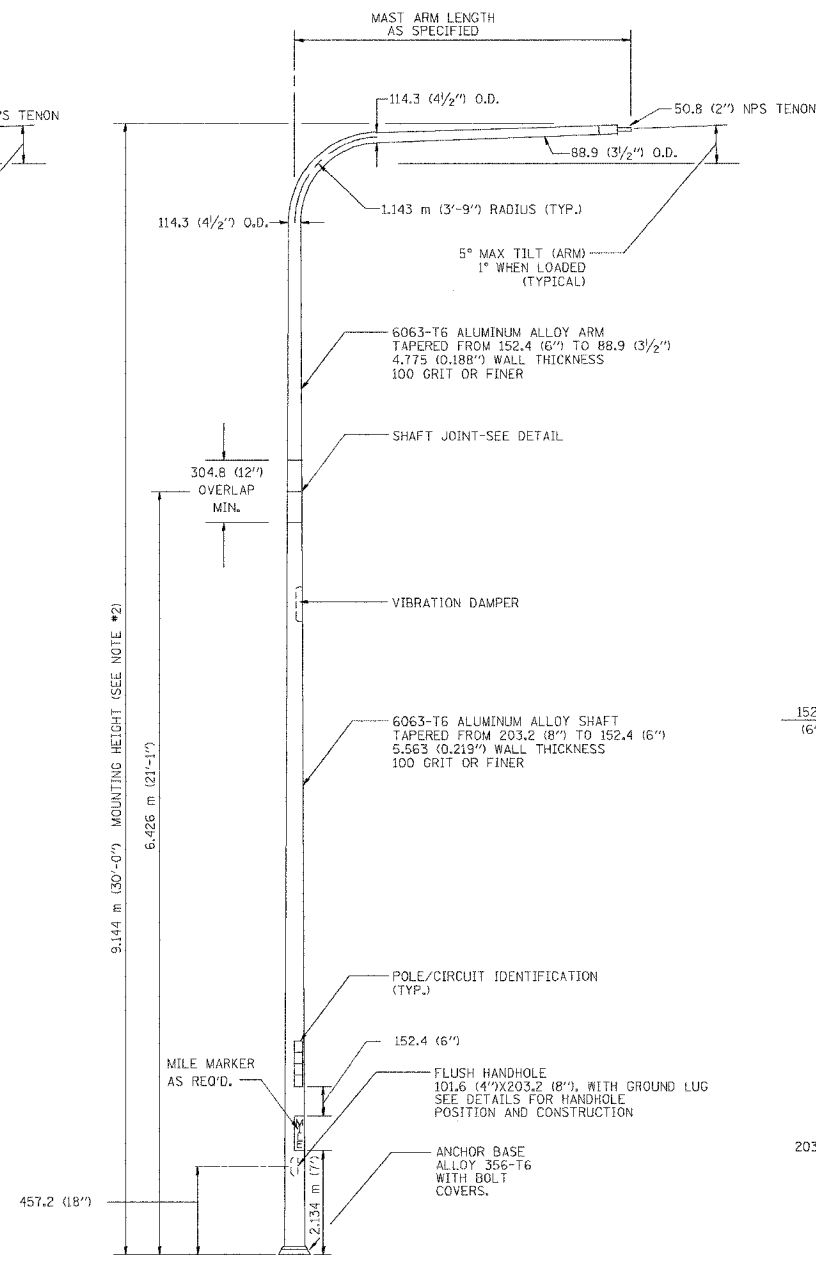
LIGHT POLE BASE PLATE DETAIL  
292.0 (11 1/2'') BOLT CIRCLE



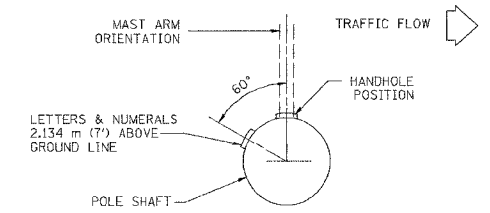
HANDHOLE DETAIL  
(N.T.S.)



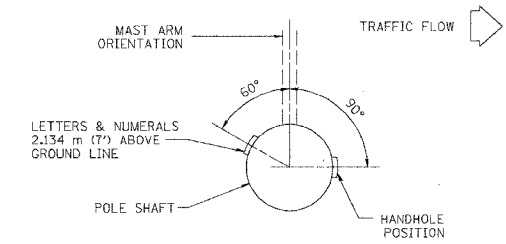
TWIN ARM POLE



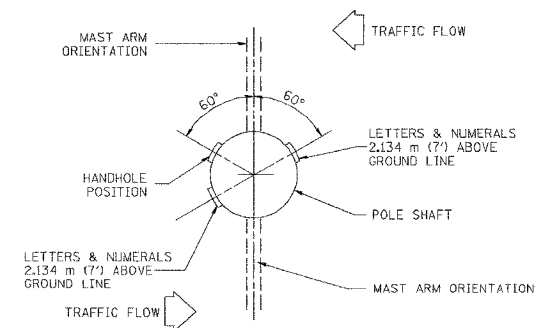
SINGLE ARM POLE



POSITION OF HANDHOLE AND POLE NUMBER FOR SINGLE MAST ARM POLES MOUNTED ON BRIDGE PARAPET OR BARRIER WALL



POSITION OF HANDHOLE AND POLE NUMBER FOR SINGLE MAST ARM POLES



POSITION OF HANDHOLE AND POLE NUMBER FOR TWIN MAST ARM POLES

\*DATE-TIME\*  
\*DGN-SPEC\*

REVISIONS	
NAME	DATE
D. DREW	4-2-92
D. DREW	5-7-92
R. TOMSONS	9-6-00

ILLINOIS DEPARTMENT OF TRANSPORTATION  
**DAVIT LIGHT POLE**  
9.144 m (30'-0'') MOUNTING HEIGHT  
SCALE: NONE  
DATE: \*\*DATE\*\*  
DRAWN BY: R.L.  
CHECKED BY: